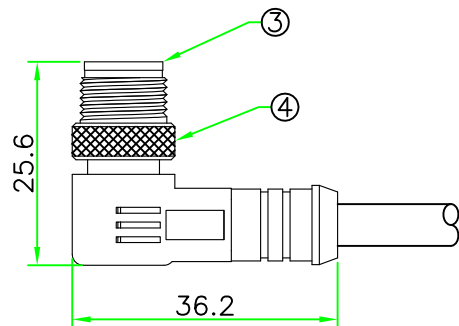
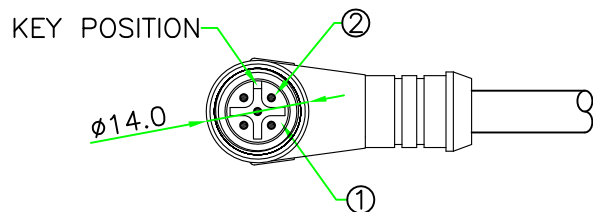
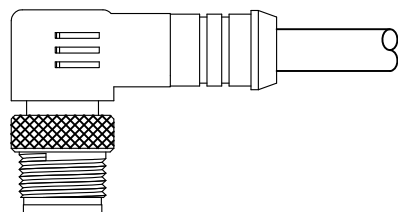


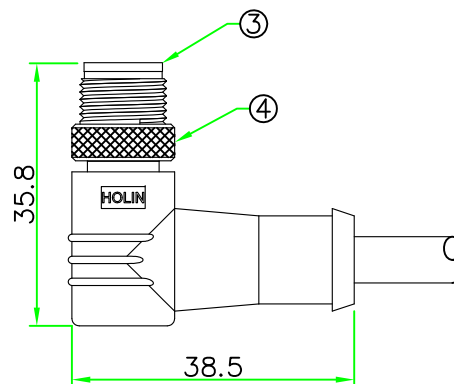
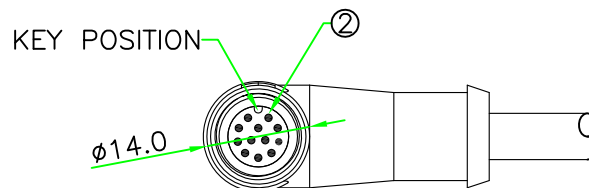
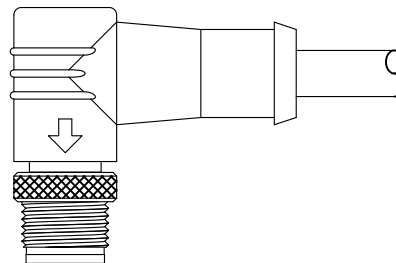
RoHS

IP66~68

2~5PIN



6~12PIN



REV.	DESCRIPTION	DATE
A	ISSUE	Sep/02/2014

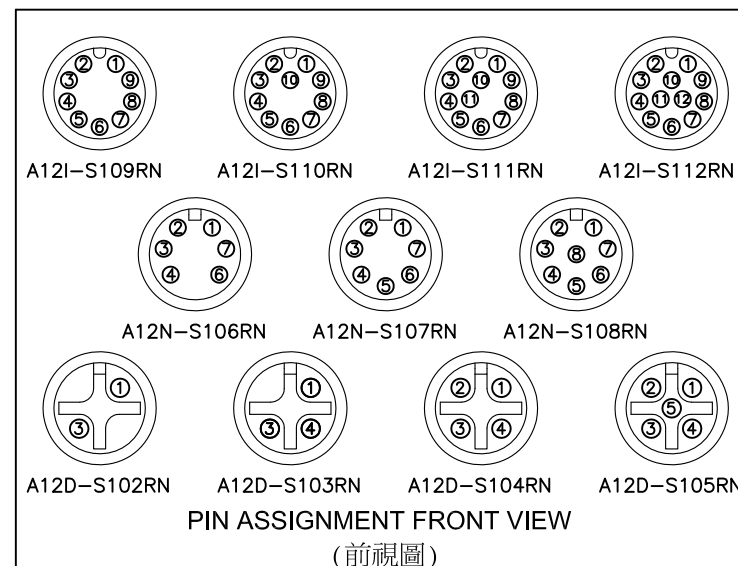
NOTES:

- ELECTRICAL CHARACTERISTICS:  
CURRENT RATING: 1.5A / 2A / 4A  
TEMPERATURE RANGE: -25°C TO +85°C  
DIELECTRIC WITHSTANDING VOLTAGE:  
500V AC FOR ONE MINUTE

2. HOW TO ORDER: A12x-S1xxRN

- 02 - 2 PIN
- 03 - 3 PIN
- 04 - 4 PIN
- 05 - 5 PIN
- 06 - 6 PIN
- 07 - 7 PIN
- 08 - 8 PIN
- 09 - 9 PIN
- 10 - 10PIN
- 11 - 11PIN
- 12 - 12PIN

- I - CURRENT RATING 1.5A
- N - CURRENT RATING 2A
- D - CURRENT RATING 4A



**HOLIN**® HTP ASIA TECHNOLOGY CO., LTD.  
禾凌科技股份有限公司

	UNIT: mm	TITLE	M12 A-Coding MALE R/A molded cable
SCALE	1:1	P/N:	A12x-S1xxRN
UNLESS OTHERWISE SPECIFIED TOLERANCES: .x ± 0.25 .xx ± 0.1 .xxx ± 0.05 ANGLE ± 1'		DR.	Patty
REV.	A	CH.	ERIC
SHEET	1/1	AP.	
DWG.NO:	A12x-S1xxRN		

No.	PART NAME	DESCRIPTION	COLOR	Q'TY	REMARKS
4	RING NUT	Brass, Nickel Plated.		1	
3	METAL SHELL	Brass, Nickel Plated.		1	
2	CONTACT	Brass , 6 u" Gold Plated .Male Contact.		N	
1	CONNECTOR	M12 A-Coding Male Connector Insert.NYLON+GF.	BLACK	1	