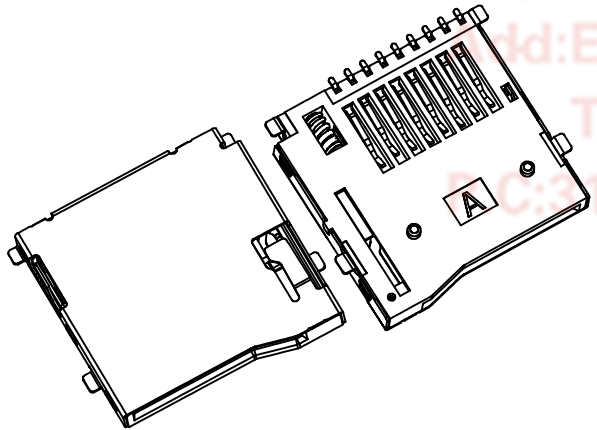
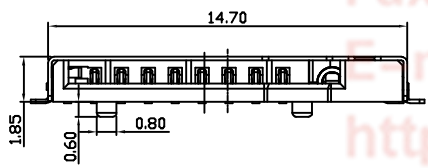
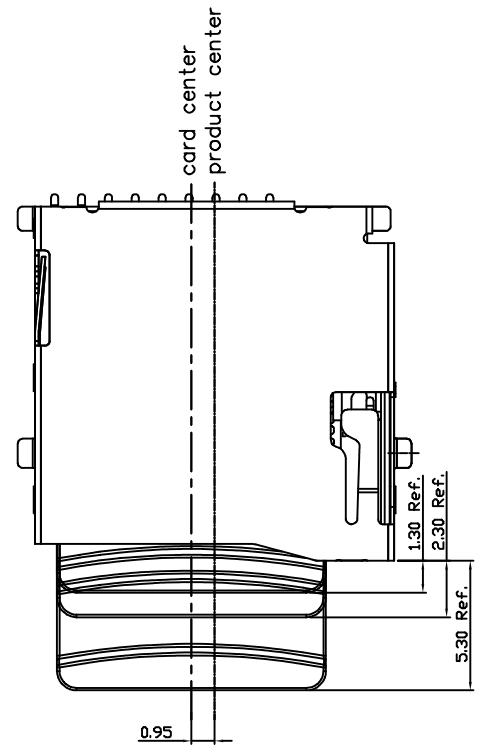
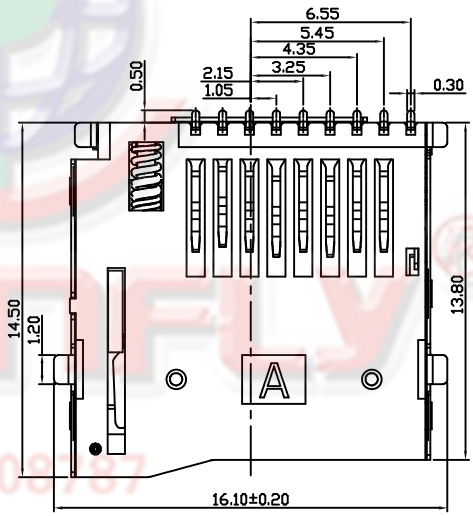
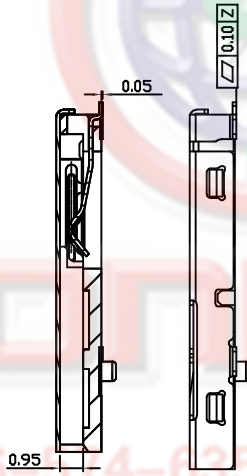
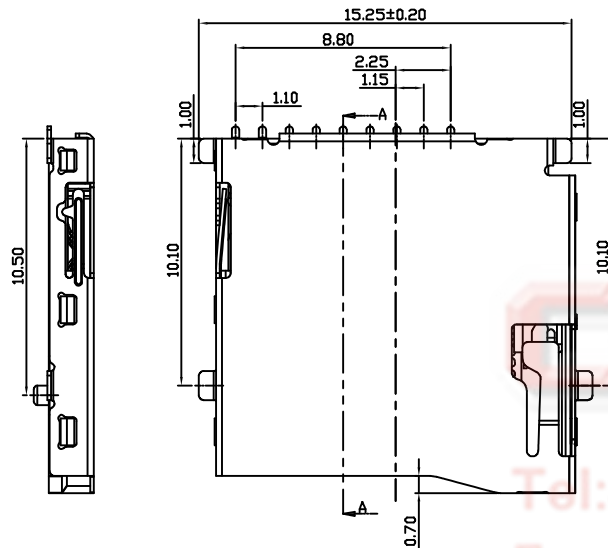
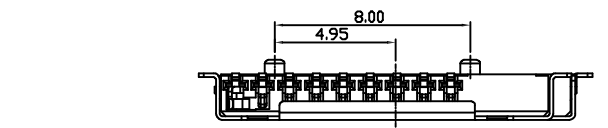


REV.	DESCRIPTION	DRAWN	CHECKED	APPROVED
A	NEW RELEASE	JLZ 12/06/16'		LJC 12/06/16'



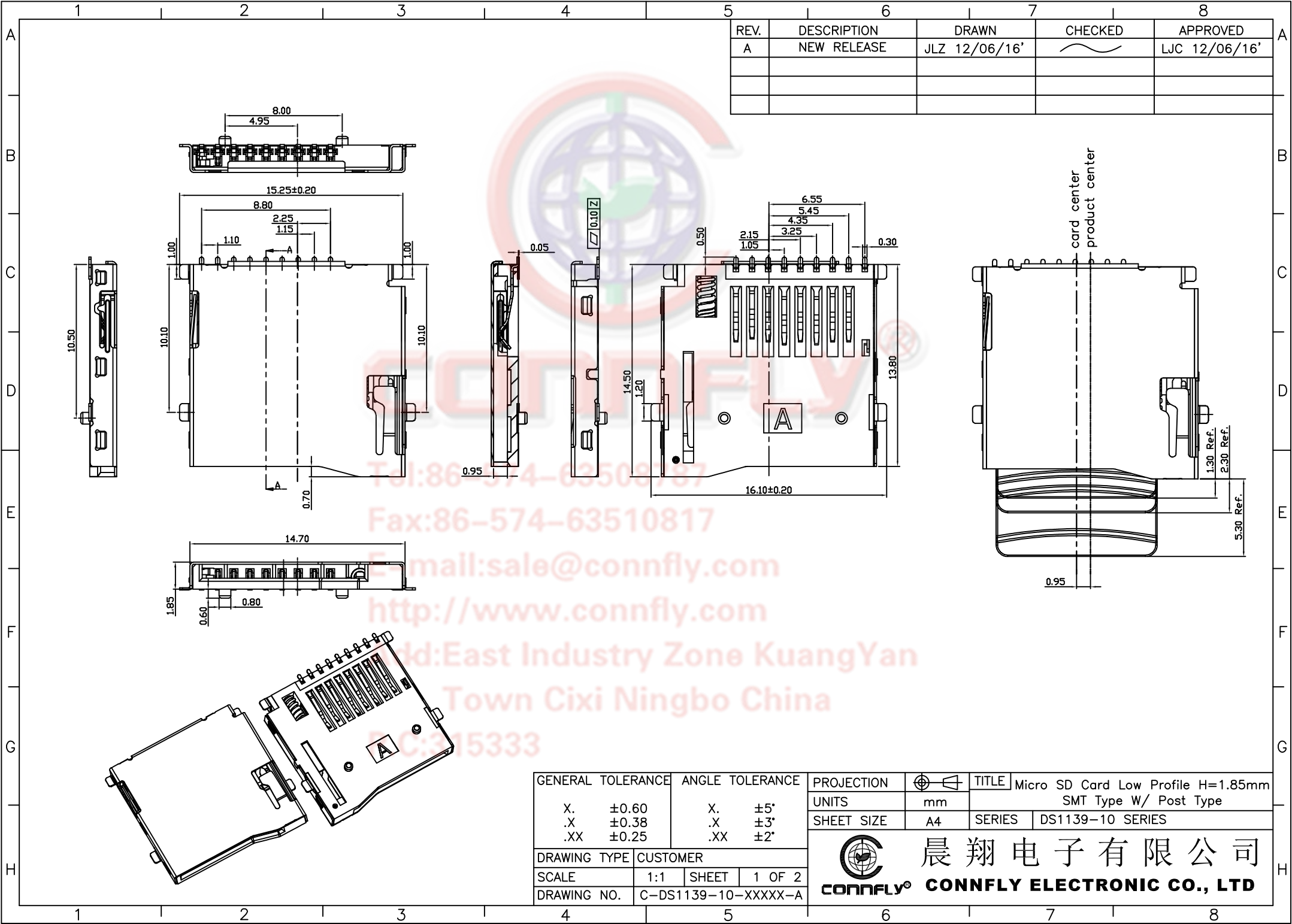
Tel: 86-574-63510817
 Fax: 86-574-63510817
 E-mail: sale@connfly.com
 http://www.connfly.com
 Address: East Industry Zone KuangYan
 Town Cixi Ningbo China
 Tel: 86-574-315333

GENERAL TOLERANCE		ANGLE TOLERANCE	
X.	±0.60	X.	±5°
.X	±0.38	.X	±3°
.XX	±0.25	.XX	±2°

PROJECTION	TITLE
	Micro SD Card Low Profile H=1.85mm
UNITS	mm
SHEET SIZE	A4
SERIES	DS1139-10 SERIES

DRAWING TYPE	CUSTOMER
SCALE	1:1
DRAWING NO.	C-DS1139-10-XXXXX-A

晨翔电子有限公司
CONNFLY® CONNFLY ELECTRONIC CO., LTD



REV.	DESCRIPTION	DRAWN	CHECKED	APPROVED
A	NEW RELEASE	JLZ 12/06/16'		

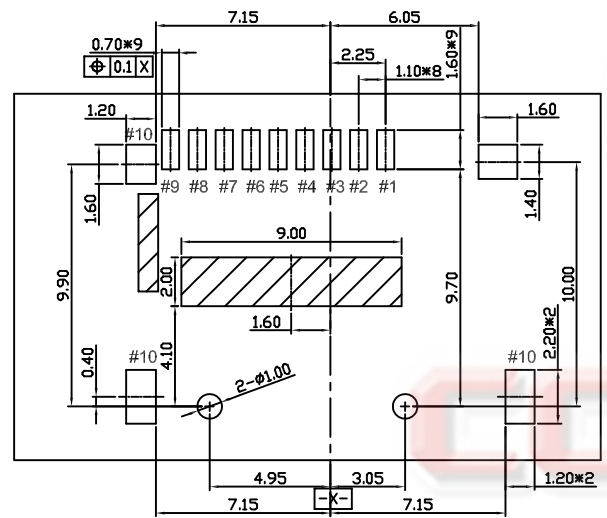
Notes:

- Material:
 - Housing: High Temperature, UL 94V-0 Color of Black.
 - Contacts: Copper Alloy.
 - Shell: Stainless Steel.
- Finish:
 - Contact Area: Gold Over Nickel.
 - Solder Area: Tin.
- Specifications:
 - Operating Temperature: -40° C~+85° C
 - Insulating Resistance: 100MΩ Min.
 - Contact Resistance: 100mΩ Max.
 - Withstanding Voltage: 250V AC 1min.
 - Current Rating: 0.5A.

4.Product Number Code:

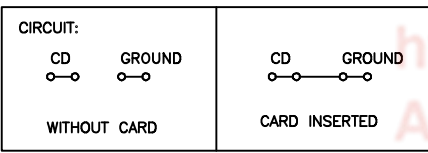
DS1139-10 - XX X X X X X X

- Packing Type
R: Tape On Reel
- Shell Materials
S: Stainless
- Housing color
B: Black
- Contact Plating
0: Selective gold flash
4: Selective 3u" gold
- Mounting type
S: SMT type
- Connector type
S: Socket
- No. of contacts
08:8pin



RECOMMENDED PCB LAYOUT
(ALL TOLERANCE ARE ±0.05)

:PROHIBITION AREA



Pin No.	MICRO SD
PIN1	DAT2 1P
PIN2	CD/DAT3 2P
PIN3	CMD 3P
PIN4	VDD 4P
PIN5	CLK 5P
PIN6	VSS 6P
PIN7	DAT0 7P
PIN8	DAT1 8P
PIN9	CARD DETECT
PIN10	GROUND

Tel:86-574-5358737
 Fax:86-574-5351817
 E-mail:sales@connfly.com
<http://www.connfly.com>
 Add:East Industry Zone KuangYan
 Town Cixi Ningbo China
 P.C:315333

GENERAL TOLERANCE	ANGLE TOLERANCE
X. ±0.60	X. ±5°
.X ±0.38	.X ±3°
.XX ±0.25	.XX ±2°

PROJECTION		TITLE	Micro SD Card Low Profile H=1.85mm
UNITS	mm	SMT Type W/ Post Type	
SHEET SIZE	A4	SERIES	DS1139-10 SERIES

DRAWING TYPE	CUSTOMER		
SCALE	1:1	SHEET	2 OF 2
DRAWING NO.	C-DS1139-10-XXXX-A		

晨翔电子有限公司
CONNFLY® CONNFLY ELECTRONIC CO., LTD