

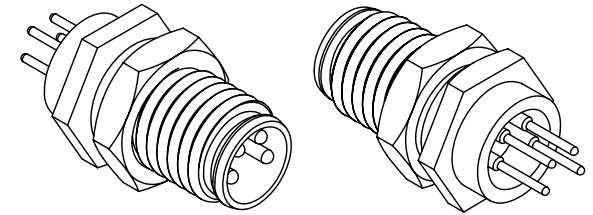
RECOMMENDED  
PANEL CUT OUT

RoHS

IP66-68

REV.	DESCRIPTION	DATE
A	ISSUE	Apr/27/2015

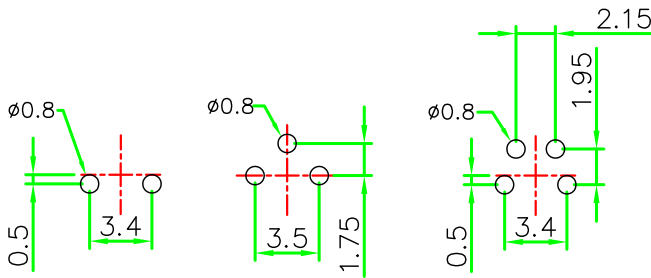
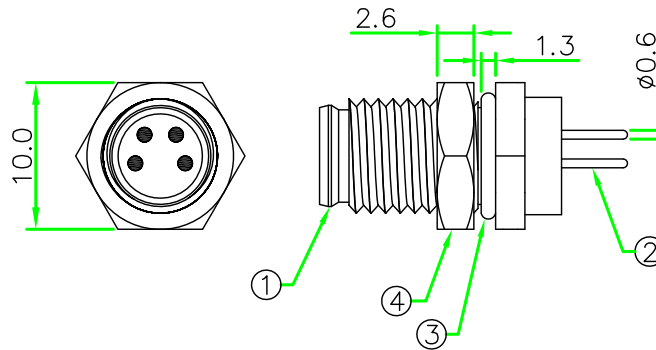
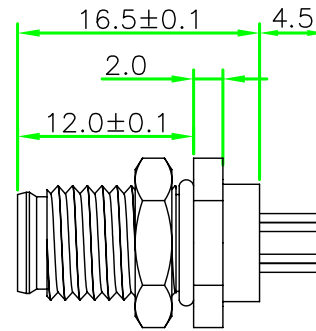
Ref.



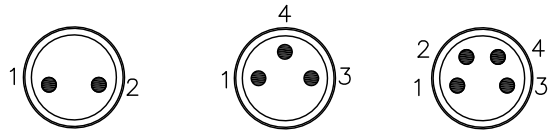
NOTES:

- ELECTRICAL CHARACTERISTICS:  
CURRENT RATING: 3A  
TEMPERATURE RANGE: -25°C TO +85°C  
DIELECTRIC WITHSTANDING VOLTAGE:  
500V AC FOR ONE MINUTE
- PANEL THICKNESS MAX. 5.0mm
- HOW TO ORDER: A08D-P1xxHPR

- 02 - 2 PIN
- 03 - 3 PIN
- 04 - 4 PIN



PCB LAYOUT



A08D-P102HPR A08D-P103HPR A08D-P104HPR

PIN ASSIGNMENT FRONT VIEW

(前視圖)

No.	PART NAME	DESCRIPTION	COLOR	Q'TY	REMARKS
4	HEX NUT	NYLON+GF.		1	
3	O-RING	Silicon.	BLACK	1	
2	CONTACT	Brass , 6 u" Gold Plated . Male Contact.		N	
1	SHELL	NYLON+GF.		1	

HOLIN® HTP ASIA TECHNOLOGY CO., LTD. 禾凌科技股份有限公司		TITLE M8 A-Coding Male Panel Connector Rear mount Hex Flange With PCB Pin	
UNIT: mm	SCALE 2:1	P/N: A08D-P1xxHPR	DR. Patty
UNLESS OTHERWISE SPECIFIED TOLERANCES: .X ± 0.25 .XX ± 0.1 .XXX ± 0.05 ANGLE ± 1°	REV. A SHEET 1/1	DWG.NO: A08D-P1xxHPR	CH. ERIC
			AP.