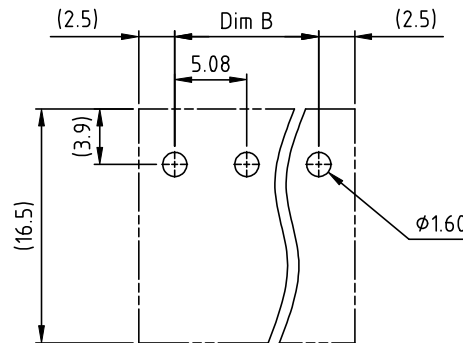
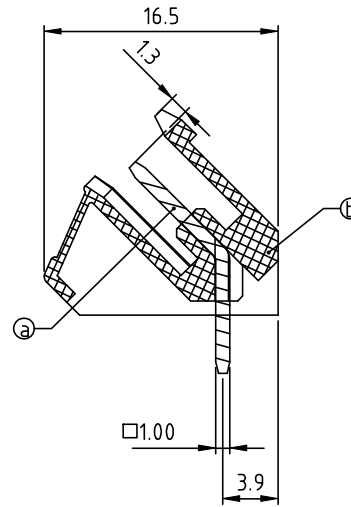
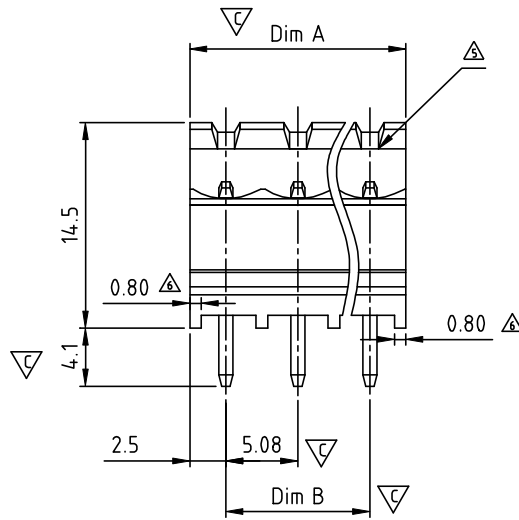
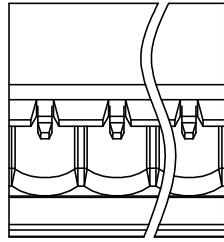


SIGN	DATE	DESCRIPTION	APPROVER
△	8/07'06	Added VDE and TUV standard	梁仁松
△	1/27'07	Soldering temperature changed from 245° to 250°	Tony
△	2009.10.27	The operating temperature is changed	Jacke
△	2009.10.27	The material is changed from Brass to Copper	Jacke
△	2010.12.29	The design is changed	Chen Bo
△	09/30-15	Update the drawing	Evan

THIS IS CAD DRAWING, DO NOT REVISE MANUALLY!!!



RECOMMENDED PCB LAYOUT

N = Number of poles
 Dim A = N x 5.08
 Dim B = (N - 1) x 5.08

	Dim A	Dim B
△ 2p	±0.15	±0.10
3p-6p	±0.15	±0.15
7p-12p	±0.20	±0.20
13p-18p	±0.30	±0.30
19p-24p	±0.40	±0.40

Material:

- Item ① Male contact pin: Copper Bright Tin plated over Nickel plated
- Item ② Terminal (housing): Thermoplastic (UL94V-0)

- △ Electrical: cULus /VDE/TUV
- Voltage rating: 300V/300V/300V
- Current rating: 15A/17A/20A
- Withstanding Voltage: 1.6 KV/2.5KV/2.5KV
- Operating temperature: -40°C to +115°C
- △ ● Soldering temperature: 260°C±5°C/5 Sec
- Safety Approval:
- Critical dimension:

VK xx 50 x 0 xxxx G

- No. OF POLES: 02: 2 POLES, 03: 3 POLES, 24: 24 POLES
- △ COLOR: 0 Black (RAL9005), 2 Red (RAL3001/D), 3 Orange (RAL2011/P), 4 Yellow (RAL1018/A), 5 Green (RAL6018/T), 6 Blue (RAL5015/A), 8 Grey (RAL7035/D), 9 White (RAL1102), C Green (RAL6018/U)
- G RoHS compliant (lead<4%) In copper Alloy
- 0000: "@ " Logo (Standard)
- 000A: "ANYTEK" Mark
- Any special item by customer request. please contact sales department.

ANYTEK				CUSTOMER COPY			
ALL RIGHTS RESERVED. REPRODUCTION OR ISSUE TO THIRD PARTIES IN ANY FORM WHATSOEVER IS NOT PERMITTED WITHOUT WRITTEN AUTHORITY FROM THE PROPRIETOR. PROPERTY OF ANYTEK TECHNOLOGY CO., LTD							
TITLE		VK-5.08 Series Open type					
PART NO.		VKxx50x0xxxxG			DWG NO.		8VK0302
APPROVED		CHECKED	DESIGNED	DRAWN	CUST NO.		Tolerance
			Evan	Chen Bo			X. ±0.50
			09/30'15	2010.12.29			X.X ±0.30
							X.XX ±0.10
							X° ±1°
					SHEET: 01/01		REV.: F