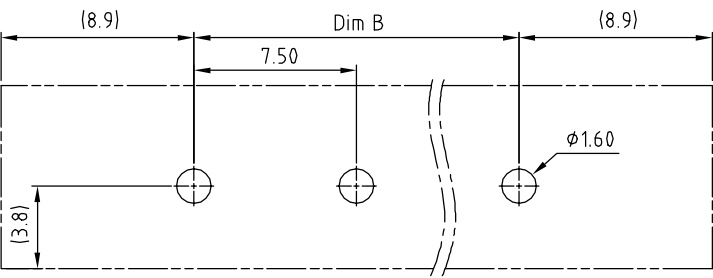
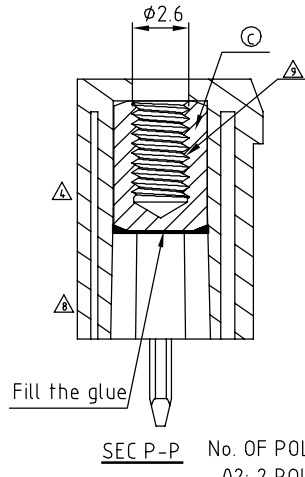
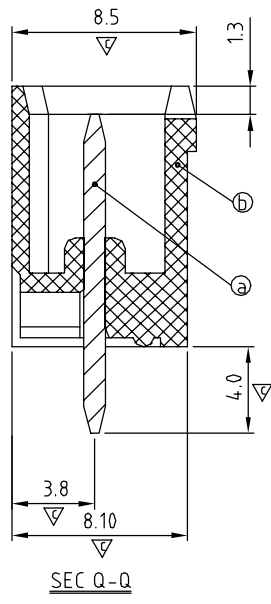
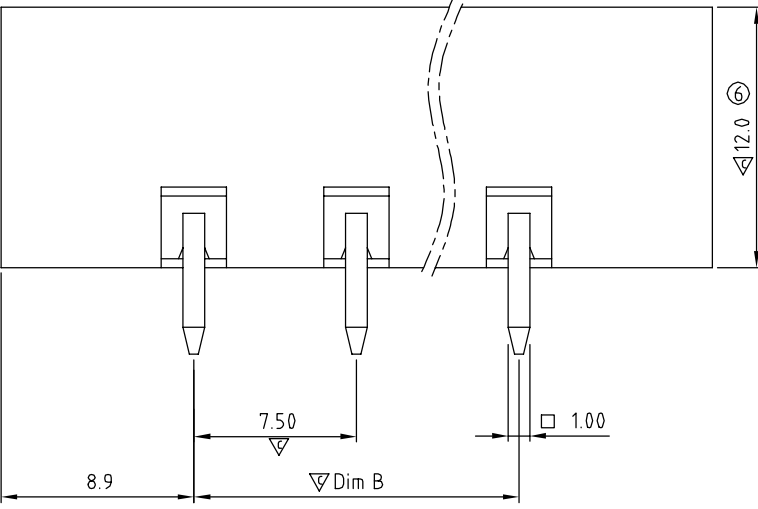


DIMENSION

A	$(N+1) \times 7.5 + 2.8$
B	$(N-1) \times 7.5$

N= NUMBER OF CONCATS

Poles	Tolerance
2P-6P	± 0.15
7P-12P	± 0.20
13P-16P	± 0.30



SIGN	DATE	DESCRIPTION	APPROVER
△	1/26'07	Soldering temperature changed from 245° to 250°	Tony
△	6/30'08	Operating temperature is changed	Marvin
△	6/30'08	With flange body is changed	Marvin
△	4/08'09	Added UL And TUV standard	Jacke
△	2009.09.24	The design is changed from the round hole to hexagonal hole	Jacke
△	2009.10.21	The material is changed from Brass to Copper	Jacke
△	2010.12.08	The design is changed	Chen Bo
△	2010.12.08	The design is changed	Chen Bo
△	12/05'11	Flange nut is changed	ChenMing

THIS IS CAD DRAWING, DO NOT REVISE MANUALLY!!!

- Material:
- Item ① Male contact pin: Copper Tin plated
 - Item ② Terminal (housing): Thermoplastic (UL94V-0)
 - Item ③ With flange nut: Brass M2.5
- Electrical:
- | | | |
|----------------------------|----------------------|------|
| | cULus | TUV |
| ● Voltage rating: | 300V | 750V |
| ● Current rating: | 20A | 15A |
| ● Withstanding Voltage: | 1.6 KV | 6KV |
| △ ● Operating temperature: | -40°C to +115°C | |
| △ ● Soldering temperature: | 250°C ± 10°C / 5 Sec | |
| △ ● Safety Approval: | | |
| ● Critical dimension: | ▽ | |

OQ xx A 5 x 0 xxxx G

No. OF POLES: 02: 2 POLES, 16: 16 POLES

COLOR: 0 Black (RAL9005), 2 Red (RAL3001/D), 3 Orange (RAL2011/P), 4 Yellow (RAL1018/A), 5 Green (RAL6018/T), 6 Blue (RAL5015/A), 8 Grey (RAL7035/D)

G: Pb<40000ppm

0000: "@" Logo (Standard)
000A: "ANYTEK" Mark
Any special item by customer request. please contact sales department.

ANYTEK		CUSTOMER COPY	
ALL RIGHTS RESERVED. REPRODUCTION OR ISSUE TO THIRD PARTIES IN ANY FORM WHATSOEVER IS NOT PERMITTED WITHOUT WRITTEN AUTHORITY FROM THE PROPRIETOR. PROPERTY OF ANYTEK TECHNOLOGY CO., LTD			
TITLE	OQ 7.5mm 180° /with flange Series 2p-16p		
PART NO.	OQxxA5x0xxxxG	DWG NO.	80Q0806
APPROVED	CHECKED	DESIGNED	DRAWN
			ChenMing 2011.12.05
SHEET: 01/01		UNIT: mm	Tolerance
REV.: I		SCALE: NONE	X. ±0.50
			X.X ±0.30
			X.XX ±0.10
			X° ±1°