

3dB Video Amplifier

■ GENERAL DESCRIPTION

The NJM41030 is a small package 3dB video amplifier.

■ PACKAGE OUTLINE

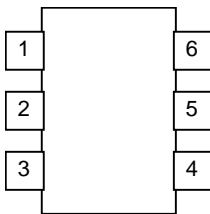


NJM41030F1

■ FEATURES

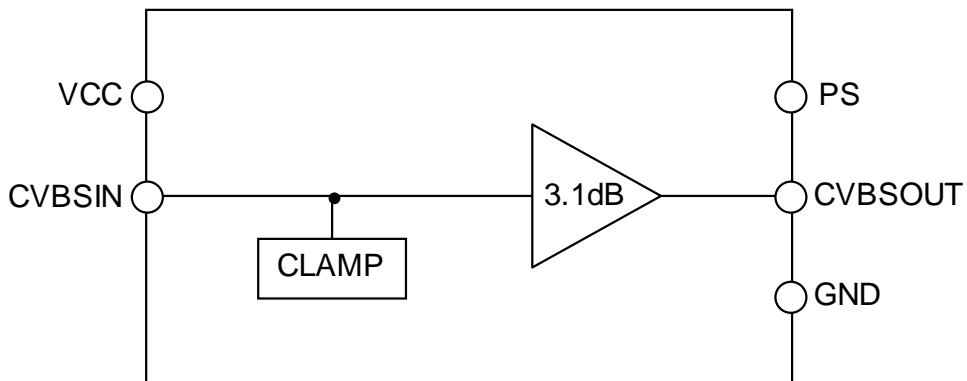
- Operating Voltage 4.5 to 5.5V
- Operating temperature range -40 to +85 °C
- 3.1dB Amplifier, 560Ω Driver
- Frequency Characteristics 0dB at 10MHz
- Power Save Circuit
- Bipolar Technology
- Small Package SOT-23-6-1

■ PIN CONFIGURATION



- | | |
|-----------|----------|
| 1.CVBSOUT | 6.PS |
| 2.GND | 5.NC |
| 3.VCC | 4.CVBSIN |

■ BLOCK DIAGRAM



NJM41030

■ ABSOLUTE MAXIMUM RATINGS (Ta=25°C)

PARAMETERS	SYMBOL	RATINGS	UNIT
Supply Voltage	V _{CC}	7.0	V
Power Dissipation	P _D	410 (Note1)	mW
Operating Temperature Range	T _{opr}	-40 to +85	°C
Storage Temperature Range	T _{stg}	-40 to +125	°C

(Note 1) At on a board of EIA/JEDEC specification. (114.3 x 76.2 x 1.6mm 2 layers, FR-4)

■ RECOMMENDED OPERATING CONDITION (Ta= 25 °C)

PARAMETER	SYMBOL	TEST CONDITION	MIN.	TYP.	MAX.	UNIT
Operating Voltage	V _{opr}		+4.5	+5.0	+5.5	V

■ ELECTRICAL CHARACTERISTICS (V_{CC}= 5.0V, R_L= 560Ω, Ta= 25°C)

PARAMETER	SYMBOL	TEST CONDITION	MIN.	TYP.	MAX.	UNIT
Operating Current	I _{CC}	No signal	-	8.0	15	mA
Operating Current at Power Save	I _{save}	Power save	-	0.8	1.6	mA
Maximum Output Voltage Swing	V _{om}	V _{in} =100kHz, Sine-wave, THD=1%	2.2	-	-	V _{p-p}
Frequency Characteristics	G _f	V _{in} =10MHz/1MHz, 0.7V _{pp} Sine-wave	-1.0	0	1.0	dB
Voltage Gain	G _v	V _{in} =1MHz, 0.7V _{pp} Sine-wave	2.8	3.1	3.4	dB
Differential Gain	DG	V _{in} =0.7V _{pp} 10step Video signal	-	0.2	-	%
Differential Phase	DP	V _{in} =0.7V _{pp} 10step Video signal	-	0.2	-	deg
Input Impedance	Z _{IN}	(Note1)	6	-	-	MΩ
Switch inflow current High Level	I _{SWH}	PSV=5V	-	-	300	μA
Switch inflow current Low Level	I _{SWL}	PS=0.3V	-	-	30	μA
Switch Change Voltage High Level	V _{thH}	PS	2.0	-	V ⁺	V
Switch Change Voltage Low Level	V _{thL}	PS	0	-	1.0	V

(Note1) The DC voltage is input to CVBSIN. Value calculate from difference of input current of 3V and 2V.

■ SWITCH FUNCTION

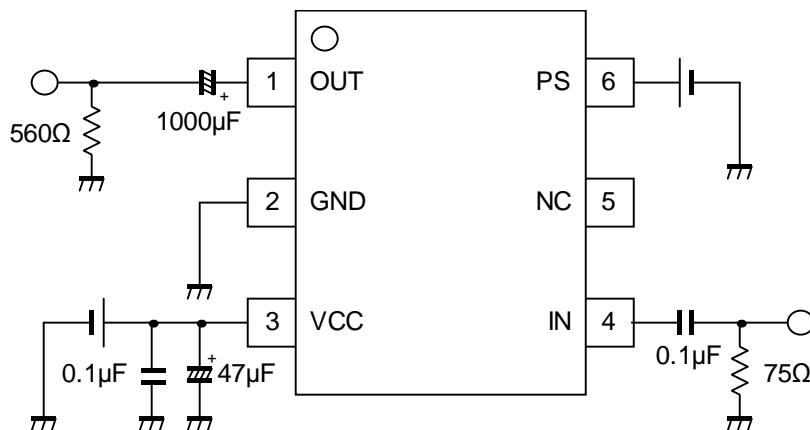
PIN	MODE	NOTES
PS (Power Save)	H	Active
	L	Power Save (Mute)
	OPEN	Power Save (Mute)

■ TERMINAL FUNCTION

PIN No.	PIN NAME	FUNCTION	EQUIVALENT CIRCUIT	DC VOLTAGE
1	CVBS OUT	Composite Video Signal Output		1.4V
2	GND	GND	-	-
3	VCC	Power Supply	-	-
4	CVBS IN	Composite Video Signal Input		1.56V
5	NC	No Connection	-	-
6	PS	Power Save Control Voltage Input		-

NJM41030

■ TEST CIRCUIT



[CAUTION]

The specifications on this databook are only given for information, without any guarantee as regards either mistakes or omissions. The application circuits in this databook are described only to show representative usages of the product and not intended for the guarantee or permission of any right including the industrial rights.