

REV.	DESCRIPTION	DRAWN	CHECKED	APPROVED
A	NEW RELEASE	YCH 12/29/09	~	YCH 12/29/09
B	增加有无螺牙选项	YCH 01/04/10	~	YCH 01/04/10
C	更改线长代码	YCH 10/22/13	~	

NOTES:

1. MATERIAL

- . Insulator: Thermoplastic(UL 94V-0)
- . Contact: Copper Alloy
- . Sheel: Steel

2. SPECIFICATIONS

- . Storage Temperature: -20~+80°C
- . Insulation Resistance: 1,000MΩ min
- . Dielectric Withstanding Voltage: AC500V Per Minute

3. PRODUCT NUMBER CODE:

DS1054 - X X X X X X X X

Cable Style

1: TYPE 1

Length Dim L

0150: 150mm

0500: 500mm

0100: 100mm

0400: 400mm

1500: 1500mm

Wire Diameter

1:φ0.100 folwer mark

2:φ0.127 red mark

3:φ0.100 red mark

4:φ0.127 folwer mark

Flat Cable Color

A:Gray

Rivet type

P:W/ Thread(UNC #4-40)

N:W/O Thread

Contact plating

0: Selective gold flash

Shell plating

N:Nickel

Housing color

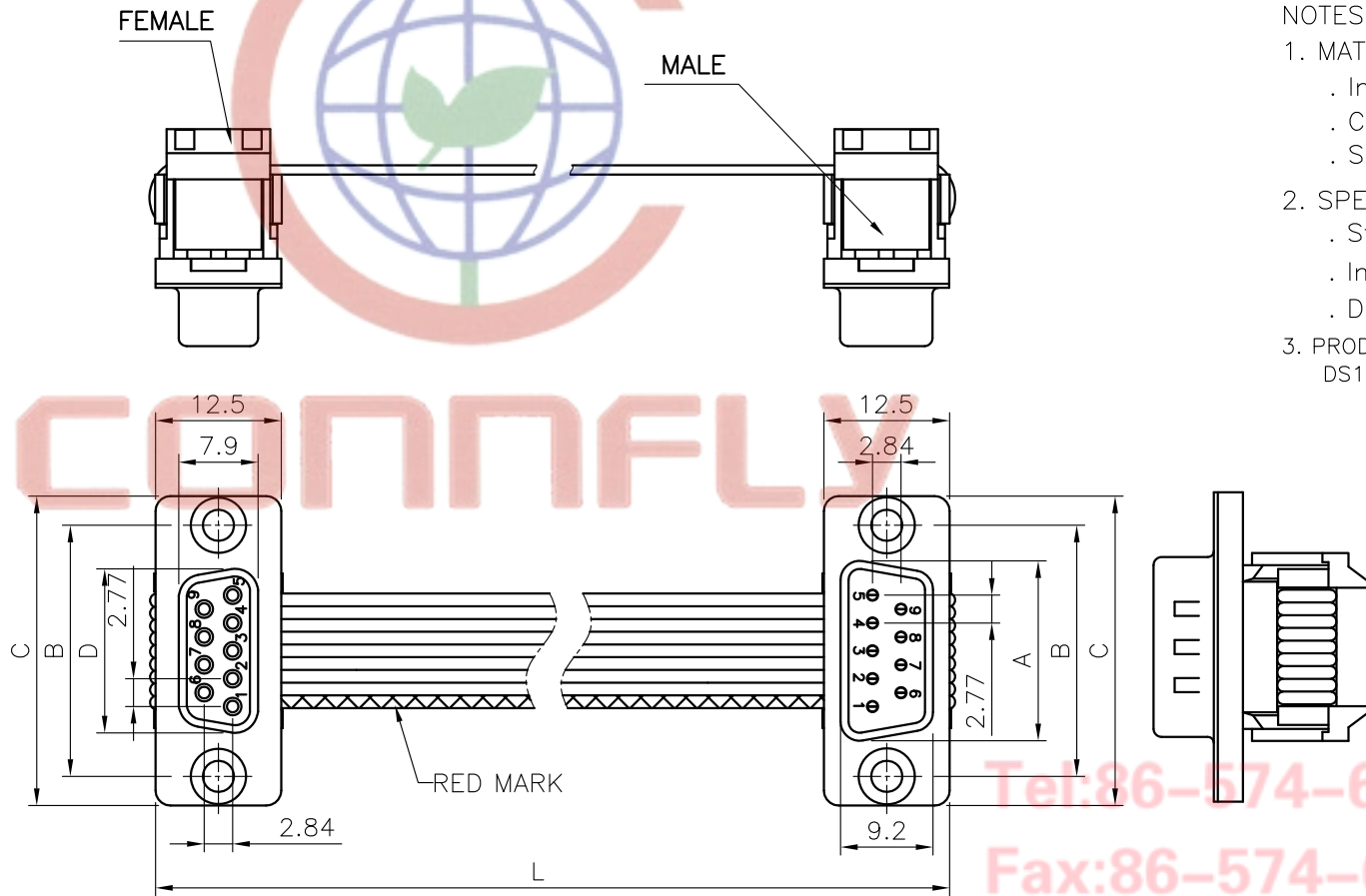
B:Black

L:Blue

Connector positions

09: 9pin 25: 25pin

15: 15pin 37: 37pin



Dimension

Position	A	B	C	D
09	17.90	24.99	30.80	16.33
15	26.50	33.32	39.14	24.66
25	40.00	47.04	53.04	38.38
37	56.50	63.50	69.32	54.84

GENERAL TOLERANCE

X. ±0.60
.X ±0.38
.XX ±0.25

ANGLE TOLERANCE

X. ±5°
.X ±3°
.XX ±2°

PROJECTION



TITLE

IDC D-SUB WITH FLAT CABLE

UNITS

mm

SHEET SIZE

A4

SERIES

DS1054

DRAWING TYPE

CUSTOMER

SCALE

1:1

SHEET

1 OF 1

DRAWING NO.

C-DS1054-XXXXXXX1



晨翔电子有限公司

CONNFLY CONNFLY ELECTRONIC CO. LTD

Tel:86-574-63508787

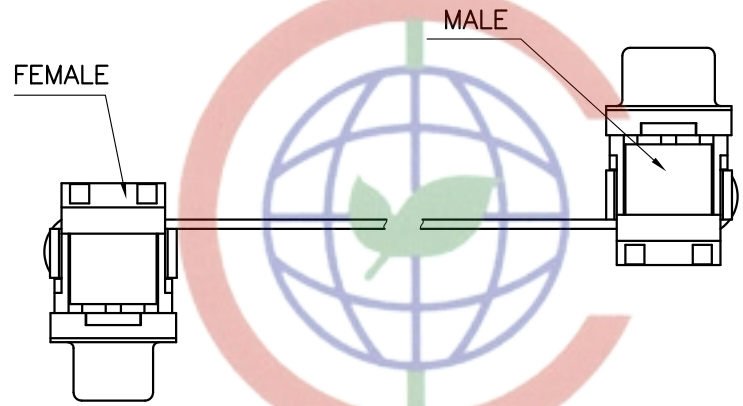
Fax:86-574-63510817

E-mail:sale@zhenqin.com.cn

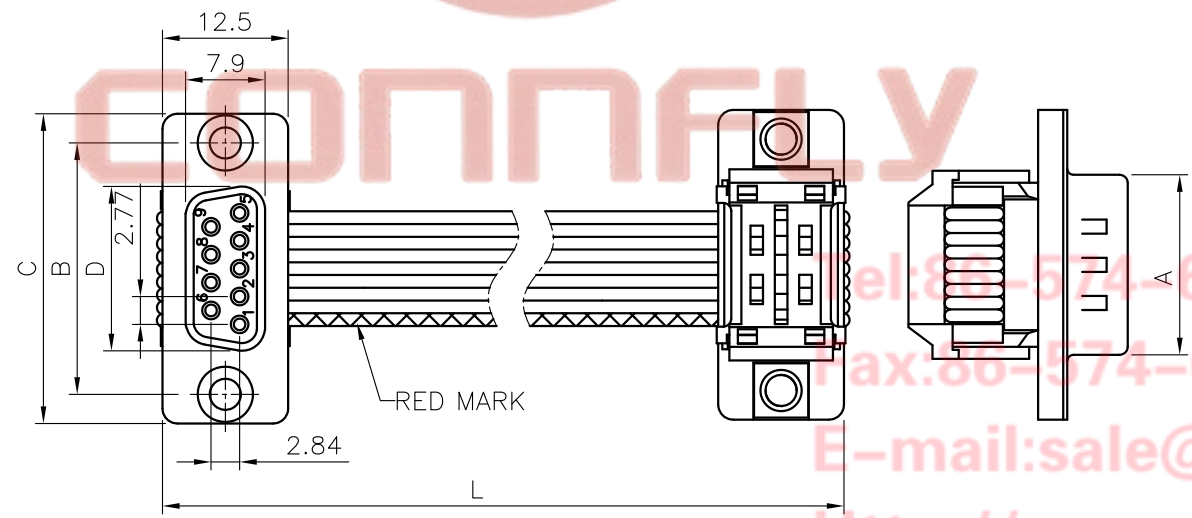
Http://www.connfly.com

P.C:815333

REV.	DESCRIPTION	DRAWN	CHECKED	APPROVED
A	NEW RELEASE	YCH 12/29/09	~	YCH 12/29/09
B	增加有无螺牙选项	YCH 01/04/10	~	YCH 01/04/10
C	更改线长代码	YCH 10/22/13	~	



- NOTES:
- MATERIAL
 - Insulator: Thermoplastic(UL 94V-0)
 - Contact: Copper Alloy
 - Shell: Steel
 - SPECIFICATIONS
 - Storage Temperature: -20~+80°C
 - Insulation Resistance: 1,000MΩ min
 - Dielectric Withstanding Voltage: AC500V Per Minute
 - PRODUCT NUMBER CODE:



- DS1054 - X X X X X X X X
- Cable Style
 - 2: TYPE 2
 - Length Dim L
 - 0150: 150mm
 - 0500: 500mm
 - 0100: 100mm
 - 0400: 400mm
 - 1500: 1500mm
 - 1525: 1525mm
 - Wire Diameter
 - 1:φ0.100 folwer mark
 - 2:φ0.127 red mark
 - 3:φ0.100 red mark
 - 4:φ0.127 folwer mark
 - Flat Cable Color
 - A:Gray
 - Rivet type
 - P:W/ Thread(UNC #4-40)
 - N:W/O Thread
 - Contact plating
 - 0: Selective gold flash
 - Shell plating
 - N:Nickel
 - Housing color
 - B:Black
 - L:Blue
 - Connector positions
 - 09: 9pin 25: 25pin
 - 15: 15pin 37: 37pin

Dimension


Position	A	B	C	D
09	17.90	24.99	30.80	16.33
15	26.50	33.32	39.14	24.66
25	40.00	47.04	53.04	38.38
37	56.50	63.50	69.32	54.84

GENERAL TOLERANCE		ANGLE TOLERANCE	
X.	±0.60	X.	±5°
.X	±0.38	.X	±3°
.XX	±0.25	.XX	±2°

DRAWING TYPE	CUSTOMER		
SCALE	1:1	SHEET	1 OF 1
DRAWING NO.	C-DS1054-XXXXXXX2		

PROJECTION	TITLE
UNITS	mm
SHEET SIZE	A4
SERIES	DS1054

IDC D-SUB WITH FLAT CABLE


晨翔电子有限公司
CONNFLY CONNFLY ELECTRONIC CO. LTD

Tel: 86-574-63508787
 Fax: 86-574-63510817
 E-mail: sale@zhenqin.com.cn
 Http://www.connfly.com
 Add: East Industry Zone Kuang'an
 Town Cixiangpu China
 31215333

REV.	DESCRIPTION	DRAWN	CHECKED	APPROVED
A	NEW RELEASE	YCH 12/29/09	~	YCH 12/29/09
B	增加有无螺牙选项	YCH 01/04/10	~	YCH 01/04/10
C	更改线长代码	YCH 10/22/13	~	

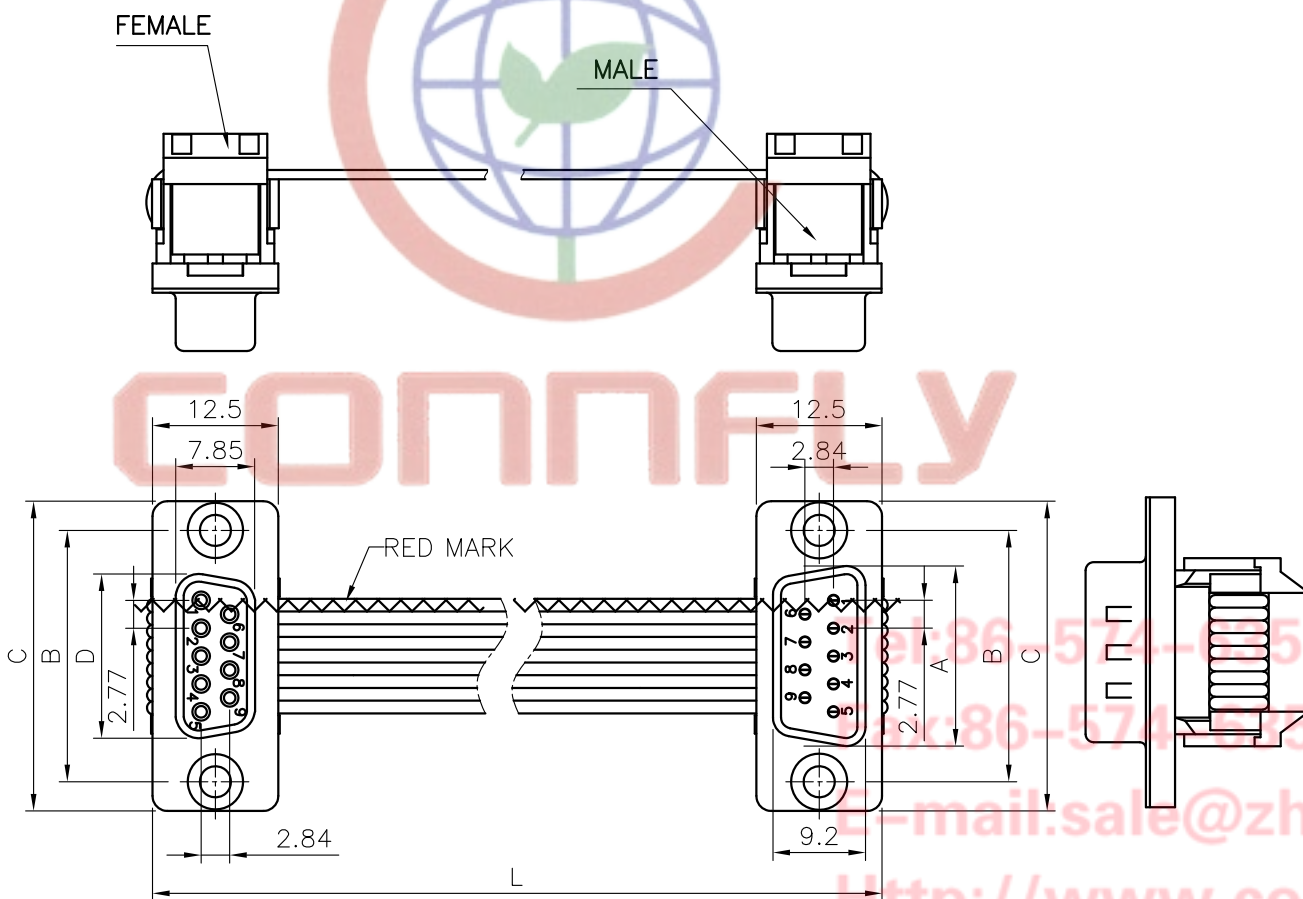
NOTES:

- MATERIAL
 - Insulator: Thermoplastic(UL 94V-0)
 - Contact: Copper Alloy
 - Shell: Steel
- SPECIFICATIONS
 - Storage Temperature: -20~+80°C
 - Insulation Resistance: 1,000MΩ min
 - Dielectric Withstanding Voltage: AC500V Per Minute

3. PRODUCT NUMBER CODE:

DS1054 - X X X X X X X X

- Cable Style
- 3: TYPE 3
- Length Dim L
 - 0150: 150mm
 - 0500: 500mm
 - 0100: 100mm
 - 0400: 400mm
 - 1500: 1500mm
 - 0255: 225mm
- Wire Diameter
 - 1:φ0.100 folwer mark
 - 2:φ0.127 red mark
 - 3:φ0.100 red mark
 - 4:φ0.127 folwer mark
- Flat Cable Color
 - A:Gray
- Rivet type
 - P:W/ Thread(UNC #4-40)
 - N:W/O Thread
- Contact plating
 - 0: Selective gold flash
- Shell plating
 - N:Nickel
- Housing color
 - B:Black
 - L:Blue
- Connector positions
 - 09: 9pin
 - 25: 25pin
 - 15: 15pin
 - 37: 37pin



Dimension

Position	A	B	C	D
09	17.90	24.99	30.80	16.33
15	26.50	33.32	39.14	24.66
25	40.00	47.04	53.04	38.38
37	56.50	63.50	69.32	54.84

GENERAL TOLERANCE		ANGLE TOLERANCE	
X.	±0.60	X.	±5°
.X	±0.38	.X	±3°
.XX	±0.25	.XX	±2°

DRAWING TYPE	CUSTOMER		
SCALE	1:1	SHEET	1 OF 1
DRAWING NO.	C-DS1054-XXXXXXX3		

PROJECTION	TITLE
UNITS	mm
SHEET SIZE	A4
SERIES	DS1054

INDICATOR:

INDICATOR:

INDICATOR:

INDICATOR:

INDICATOR:

INDICATOR:

INDICATOR:

INDICATOR:

INDICATOR:

INDICATOR:

INDICATOR:

INDICATOR:

INDICATOR:

INDICATOR:

INDICATOR:

INDICATOR:

INDICATOR:

INDICATOR:

INDICATOR:

INDICATOR:

INDICATOR:

INDICATOR:

INDICATOR:

INDICATOR:

INDICATOR:

INDICATOR:

INDICATOR:

INDICATOR:

INDICATOR:

INDICATOR:

INDICATOR:

INDICATOR:

INDICATOR:

INDICATOR:

INDICATOR:

INDICATOR:

INDICATOR:

INDICATOR:

INDICATOR:

INDICATOR:

INDICATOR:

INDICATOR:

INDICATOR:

INDICATOR:

INDICATOR:

INDICATOR:

INDICATOR:

INDICATOR:

INDICATOR:

INDICATOR:

INDICATOR:

INDICATOR:

INDICATOR:

INDICATOR:

INDICATOR:

INDICATOR:

INDICATOR:

INDICATOR:

INDICATOR:

INDICATOR:

INDICATOR:

INDICATOR:

INDICATOR:

INDICATOR:

INDICATOR:

INDICATOR:

INDICATOR:

INDICATOR:

INDICATOR:

INDICATOR:

INDICATOR:

INDICATOR:

INDICATOR:

INDICATOR:

INDICATOR:

INDICATOR:

INDICATOR:

INDICATOR:

INDICATOR:

INDICATOR:

INDICATOR:

INDICATOR:

INDICATOR:

INDICATOR:

INDICATOR:

INDICATOR:

INDICATOR:

INDICATOR:

INDICATOR:

INDICATOR:

INDICATOR:

INDICATOR:

INDICATOR:

INDICATOR:

INDICATOR:

INDICATOR:

INDICATOR:

INDICATOR:

INDICATOR:

INDICATOR:

INDICATOR:

INDICATOR:

INDICATOR:

INDICATOR:

INDICATOR:

INDICATOR:

INDICATOR:

INDICATOR:

INDICATOR:

INDICATOR:

INDICATOR:

INDICATOR:

INDICATOR:

INDICATOR:

INDICATOR:

INDICATOR:

INDICATOR:

INDICATOR:

INDICATOR:

INDICATOR:

INDICATOR:

INDICATOR:

INDICATOR:

INDICATOR:

INDICATOR:

INDICATOR:

INDICATOR:

INDICATOR:

INDICATOR:

INDICATOR:

INDICATOR:

INDICATOR:

INDICATOR:

INDICATOR:

INDICATOR:

INDICATOR:

INDICATOR:

INDICATOR:

INDICATOR:

INDICATOR:

INDICATOR:

INDICATOR:

INDICATOR:

INDICATOR:

INDICATOR:

INDICATOR:

INDICATOR:

INDICATOR:

INDICATOR:

INDICATOR:

INDICATOR:

INDICATOR:

INDICATOR:

INDICATOR:

INDICATOR:

INDICATOR:

INDICATOR:

INDICATOR:

INDICATOR:

INDICATOR:

INDICATOR:

INDICATOR:

INDICATOR:

INDICATOR:

INDICATOR:

INDICATOR:

INDICATOR:

INDICATOR:

INDICATOR:

INDICATOR:

INDICATOR:

INDICATOR:

INDICATOR:

INDICATOR:

INDICATOR:

INDICATOR:

INDICATOR:

INDICATOR:

INDICATOR:

INDICATOR:

INDICATOR:

INDICATOR:

INDICATOR:

INDICATOR:

INDICATOR:

INDICATOR:

INDICATOR:

INDICATOR:

INDICATOR:

INDICATOR:

INDICATOR:

INDICATOR:

INDICATOR:

INDICATOR:

INDICATOR:

INDICATOR:

INDICATOR:

INDICATOR:

INDICATOR:

INDICATOR:

INDICATOR:

INDICATOR:

INDICATOR:

INDICATOR:

INDICATOR:

INDICATOR:

INDICATOR:

INDICATOR:

INDICATOR:

INDICATOR:

INDICATOR:

INDICATOR:

INDICATOR:

INDICATOR:

INDICATOR:

INDICATOR:

INDICATOR:

INDICATOR:

INDICATOR:

INDICATOR:

INDICATOR:

INDICATOR:

INDICATOR:

INDICATOR:

INDICATOR:

INDICATOR:

INDICATOR:

INDICATOR:

INDICATOR:

INDICATOR:

INDICATOR:

INDICATOR:

INDICATOR:

INDICATOR:

INDICATOR:

INDICATOR:

INDICATOR:

INDICATOR:

INDICATOR:

INDICATOR:

INDICATOR:

INDICATOR:

INDICATOR:

INDICATOR:

INDICATOR:

INDICATOR:

INDICATOR:

INDICATOR:

INDICATOR:

INDICATOR:

INDICATOR:

INDICATOR:

INDICATOR:

INDICATOR:

INDICATOR:

INDICATOR:

INDICATOR:

INDICATOR:

INDICATOR:

INDICATOR:

INDICATOR:

INDICATOR:

INDICATOR:

INDICATOR:

INDICATOR:

INDICATOR:

INDICATOR:

INDICATOR:

INDICATOR:

INDICATOR:

INDICATOR:

INDICATOR:

INDICATOR:

INDICATOR:

INDICATOR:

INDICATOR:

INDICATOR:

INDICATOR:

INDICATOR:

INDICATOR:

INDICATOR:

INDICATOR:

INDICATOR:

INDICATOR:

INDICATOR:

INDICATOR:

INDICATOR:

INDICATOR:

INDICATOR:

INDICATOR:

INDICATOR:

INDICATOR:

INDICATOR:

INDICATOR:

INDICATOR:

INDICATOR:

INDICATOR:

INDICATOR:

INDICATOR:

INDICATOR:

INDICATOR:

INDICATOR:

INDICATOR:

INDICATOR:

INDICATOR:

INDICATOR:

INDICATOR:

INDICATOR:

INDICATOR:

INDICATOR:

INDICATOR:

INDICATOR:

INDICATOR:

INDICATOR:

INDICATOR:

INDICATOR:

INDICATOR:

INDICATOR:

INDICATOR:

INDICATOR:

INDICATOR:

INDICATOR:

INDICATOR:

INDICATOR:

INDICATOR:

INDICATOR:

INDICATOR:

INDICATOR:

INDICATOR:

INDICATOR:

INDICATOR:

INDICATOR:

INDICATOR:

INDICATOR:

INDICATOR:

INDICATOR:

INDICATOR:

INDICATOR:

INDICATOR:

INDICATOR:

INDICATOR:

INDICATOR:

INDICATOR:

INDICATOR:

INDICATOR:

INDICATOR:

INDICATOR:

INDICATOR:

INDICATOR:

INDICATOR:

INDICATOR:

INDICATOR:

INDICATOR:

INDICATOR:

INDICATOR:

INDICATOR:

INDICATOR:

INDICATOR:

INDICATOR:

INDICATOR:

INDICATOR:

INDICATOR:

INDICATOR:

INDICATOR:

INDICATOR:

INDICATOR:

INDICATOR:

INDICATOR:

INDICATOR:

INDICATOR:

INDICATOR:

INDICATOR:

INDICATOR:

INDICATOR:

INDICATOR:

INDICATOR:

INDICATOR:

INDICATOR:

INDICATOR:

INDICATOR:

INDICATOR:

INDICATOR:

INDICATOR:

INDICATOR:

INDICATOR:

INDICATOR:

INDICATOR:

INDICATOR:

INDICATOR:

INDICATOR:

INDICATOR:

INDICATOR:

INDICATOR:

INDICATOR:

INDICATOR:

INDICATOR:

INDICATOR:

INDICATOR:

INDICATOR:

INDICATOR:

INDICATOR:

INDICATOR:

INDICATOR:

INDICATOR:

INDICATOR:

INDICATOR:

INDICATOR:

INDICATOR:

INDICATOR:

INDICATOR:

INDICATOR:

INDICATOR:

INDICATOR:

INDICATOR:

INDICATOR:

INDICATOR:

INDICATOR:

INDICATOR:

INDICATOR:

INDICATOR:

INDICATOR:

INDICATOR:

INDICATOR:

INDICATOR:

INDICATOR:

INDICATOR:

INDICATOR:

INDICATOR:

INDICATOR:

INDICATOR:

INDICATOR:

INDICATOR:

INDICATOR:

INDICATOR:

INDICATOR:

INDICATOR:

INDICATOR:

INDICATOR:

INDICATOR:

INDICATOR:

INDICATOR:

INDICATOR:

INDICATOR:

INDICATOR:

INDICATOR:

INDICATOR:

INDICATOR:

INDICATOR:

INDICATOR:

INDICATOR:

INDICATOR:

INDICATOR:

INDICATOR:

INDICATOR:

INDICATOR:

INDICATOR:

INDICATOR:

INDICATOR:

INDICATOR:

INDICATOR:

INDICATOR:

INDICATOR:

INDICATOR:

INDICATOR:

INDICATOR:

INDICATOR:

INDICATOR:

INDICATOR:

INDICATOR:

INDICATOR:

INDICATOR:

INDICATOR:

INDICATOR:

INDICATOR:

INDICATOR:

INDICATOR:

INDICATOR:

INDICATOR:

INDICATOR:

INDICATOR:

INDICATOR:

INDICATOR:

INDICATOR:

INDICATOR:

INDICATOR:

INDICATOR:

INDICATOR:

INDICATOR:

INDICATOR:

INDICATOR:

INDICATOR:

INDICATOR:

INDICATOR:

INDICATOR:

INDICATOR:

INDICATOR:

INDICATOR:

INDICATOR:

INDICATOR:

INDICATOR:

INDICATOR:

INDICATOR:

INDICATOR:

INDICATOR:

INDICATOR:

INDICATOR:

INDICATOR:

INDICATOR:

INDICATOR:

INDICATOR:

INDICATOR:

INDICATOR:

INDICATOR:

INDICATOR:

INDICATOR:

INDICATOR:

INDICATOR:

INDICATOR:

INDICATOR:

INDICATOR:

INDICATOR:

INDICATOR:

INDICATOR:

INDICATOR:

INDICATOR:

INDICATOR:

INDICATOR:

INDICATOR:

INDICATOR:

INDICATOR:

INDICATOR:

INDICATOR:

INDICATOR:

INDICATOR:

INDICATOR:

INDICATOR:

INDICATOR:

INDICATOR:

INDICATOR:

INDICATOR:

INDICATOR:

INDICATOR:

INDICATOR:

INDICATOR:

INDICATOR:

INDICATOR:

INDICATOR:

INDICATOR:

INDICATOR:

INDICATOR:

INDICATOR:

INDICATOR:

INDICATOR:

INDICATOR:

INDICATOR:

INDICATOR:

INDICATOR:

INDICATOR:

INDICATOR:

INDICATOR:

INDICATOR:

INDICATOR:

INDICATOR:

INDICATOR:

INDICATOR:

INDICATOR:

INDICATOR:

INDICATOR:

INDICATOR:

INDICATOR:

INDICATOR:

INDICATOR:

INDICATOR:

INDICATOR:

INDICATOR:

INDICATOR:

INDICATOR:

INDICATOR:

INDICATOR:

INDICATOR:

INDICATOR:

INDICATOR:

INDICATOR:

INDICATOR:

INDICATOR:

INDICATOR:

INDICATOR:

INDICATOR:

INDICATOR:

INDICATOR:

INDICATOR:

INDICATOR:

INDICATOR:

INDICATOR:

INDICATOR:

INDICATOR:

INDICATOR:

INDICATOR:

INDICATOR:

INDICATOR:

INDICATOR:

INDICATOR:

INDICATOR:

INDICATOR:

INDICATOR:

INDICATOR:

INDICATOR:

INDICATOR:

INDICATOR:

INDICATOR:

INDICATOR:

INDICATOR:

INDICATOR:

INDICATOR:

INDICATOR:

INDICATOR:

INDICATOR:

INDICATOR:

INDICATOR:

INDICATOR:

INDICATOR:

INDICATOR:

INDICATOR:

INDICATOR:

INDICATOR:

INDICATOR:

INDICATOR:

INDICATOR:

INDICATOR:

INDICATOR:

INDICATOR: <