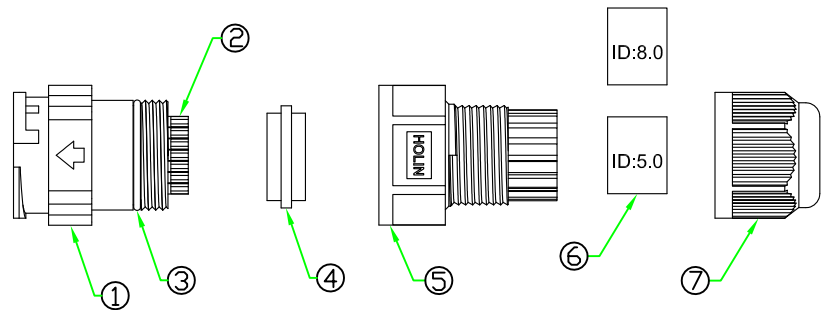
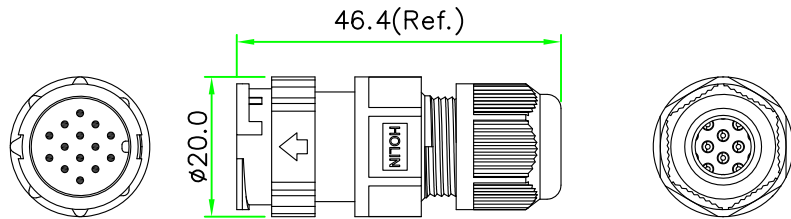
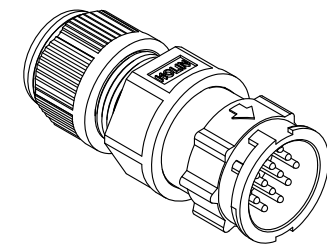


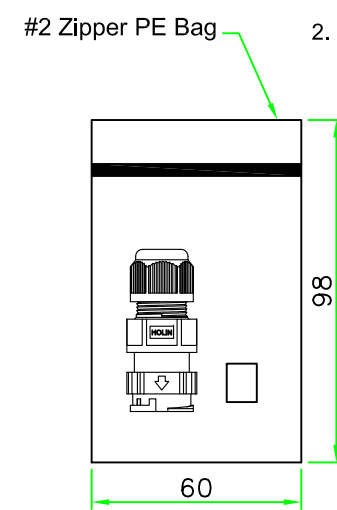
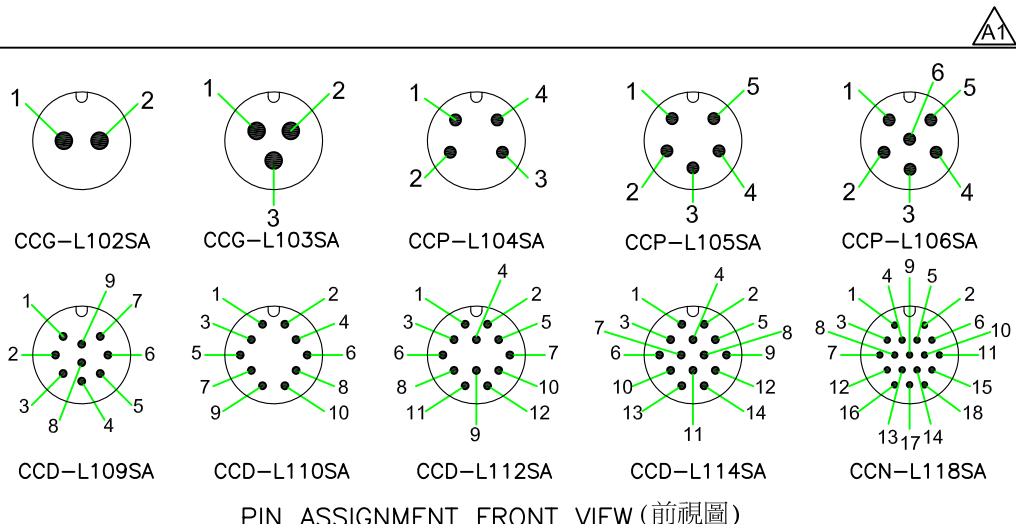
RoHS
IP66~68



REV.	DESCRIPTION	DATE
A	ISSUE	Jan/09/2013
A1	Add Item	Jun/05/2015



NOTES:
 1. ELECTRICAL CHARACTERISTICS:
 CURRENT RATING: 2A / 5A / 10A / 20A
 CONNECTOR TEMPERATURE RANGE: -20°C TO +80°C
 DIELECTRIC WITHSTANDING VOLTAGE:
 500V AC FOR ONE MINUTE
 2. HOW TO ORDER: CCx-L1xxSA



- 02 - 2 PIN 09 - 9 PIN
 - 03 - 3 PIN 10 - 10 PIN
 - 04 - 4 PIN 12 - 12 PIN
 - 05 - 5 PIN 14 - 14 PIN
 - 06 - 6 PIN 18 - 18 PIN
- G - CURRENT RATING 20A
 P - CURRENT RATING 10A
 D - CURRENT RATING 5A
 N - CURRENT RATING 2A

7	CLAMP NUT	NYLON+GF.	BLACK	1	
6	TUBE	Rubber (ID= 5.0 & 8.0mm)	BLACK	2	
5	HOOD	NYLON.	BLACK	1	
4	GASKET	EPDM.	BLACK	1	
3	O-RING	NBR.	BLACK	1	
2	CONTACT	Brass , 6 u" Gold Plated .Male Contact.		N	
1	CONNECTOR	C Size Male Connector Insert.NYLON+GF.	BLACK	1	
No.	PART NAME	DESCRIPTION	COLOR	Q'TY	REMARKS

HOLIN® HTP ASIA TECHNOLOGY CO., LTD.
 禾凌科技股份有限公司

UNIT: mm	TITLE :	Circular C Size Lock Type Male Connector Male Pin Field Installable Plug
SCALE 1:1	P/N:	CCx-L1xxSA
UNLESS OTHERWISE SPECIFIED TOLERANCES: .x ± 0.5 .xx ± 0.25 .xxx ± 0.1 ANGLE ± 1°	DWG.NO:	CCx-L1xxSA
REV. A1	SHEET 1/1	DR. Patty CH. ERIC AP.