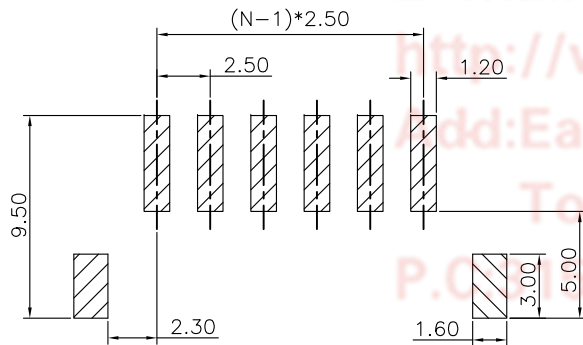
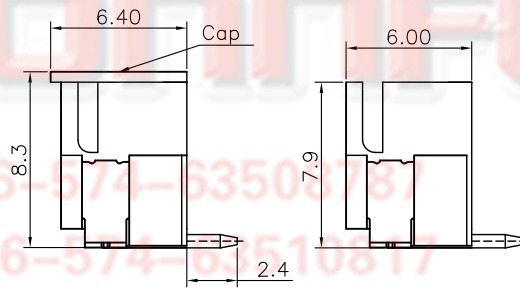
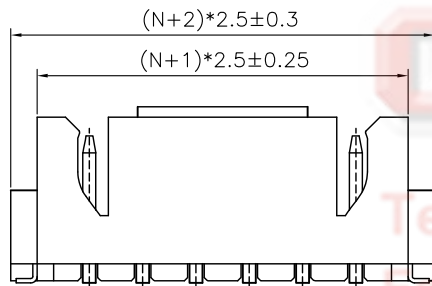
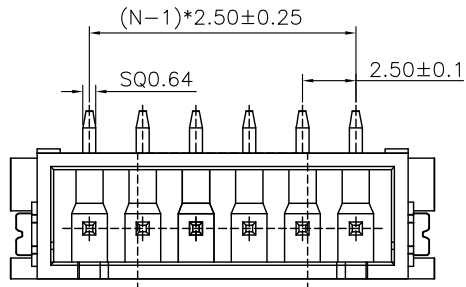


REV.	DESCRIPTION	DRAWN	CHECKED	APPROVED
A	NEW RELEASE	JLZ 03/06/17'		

N=No.of contact



RECOMMEND PCB LAYOUT
(TOLERANCE= ±0.05)

NOTES:

- MAIN SPECIFICATIONS
 - Housing material: LCP
 - Contact material: Copper Alloy
 - Rated voltage: 250V
 - Rated current: 3A
 - Contact resistance: $\leq 30m\Omega$
 - Insulation resistance: $\geq 1000M\Omega$
 - Withstanding voltage: 1000V, AC 1 minute
 - Temperature range: $-25^{\circ}C \sim +85^{\circ}C$

2. PRODUCT NUMBER CODE:

DS1069-11 - X X X X X X

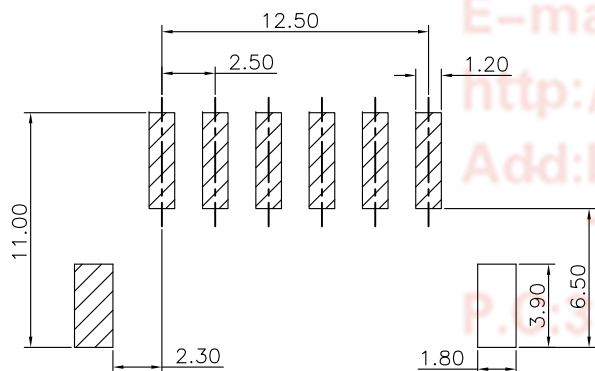
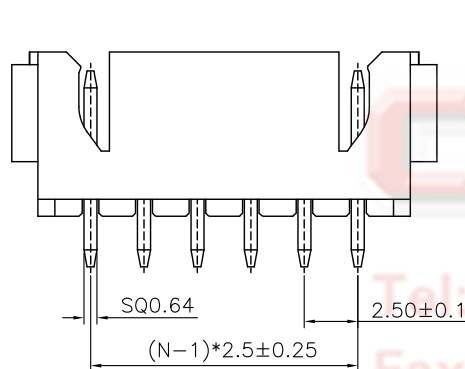
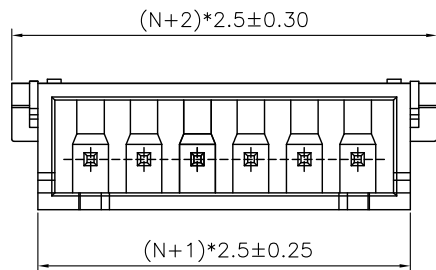
- X: Packing type
 - B: Tube(For W/O Cap)
 - R: Tape on reel(For W/ Cap)
- X: Cap Support
 - S: W/
 - X: W/O
- X: Housing Color
 - V: Ivory
- X: Contact Plating
 - 6: Tin
- X: Mounting type
 - V: Upright SMT type
- X: Connector type
 - M: Male
- X: No.of contact
 - 2~12

Tel:86-574-63503781
 Fax:86-574-63510817
 E-mail:sales@connfly.com
 http://www.connfly.com
 Add:East Industry Zone KuangYan
 Town Cixi Ningbo China
 P.O. 3333

GENERAL TOLERANCE	ANGLE TOLERANCE	PROJECTION		TITLE	2.50mm XH Wafer V/T SMT Type
X. ±0.60	X. ±5°	UNITS	mm	SHEET SIZE	A4
.X ±0.38	.X ±3°			SERIES	DS1069-11 SERIES
.XX ±0.25	.XX ±2°				
DRAWING TYPE	CUSTOMER				
SCALE	1:1	SHEET	1 OF 2		
DRAWING NO.	C-DS1069-11-XXXXX-A		晨翔电子有限公司 CONNFLY ELECTRONIC CO. LTD		

REV.	DESCRIPTION	DRAWN	CHECKED	APPROVED
A	NEW RELEASE	JLZ 03/06/17'		

N=No.of contact



NOTES:

- MAIN SPECIFICATIONS
 - Housing material: LCP
 - Contact material: Copper Alloy
 - Rated voltage: 250V
 - Rated current: 3A
 - Contact resistance: $\leq 30m\Omega$
 - Insulation resistance: $\geq 1000M\Omega$
 - Withstanding voltage: 1000V, AC 1 minute
 - Temperature range: $-25^{\circ}C \sim +85^{\circ}C$

2. PRODUCT NUMBER CODE:

DS1069-11 - X X X X X X

- Packing type
B: Tube
R: Tape on reel
- Housing Color
V: Ivory
- Contact Plating
6: Tin
- Mounting type
R: R/A SMT type
- Connector type
M: Male
- No.of contact
2~12

Tel:86-574-63508787
 Fax:86-574-63510817
 E-mail:sale@connfly.com
 http://www.connfly.com
 Add:East Industry Zone KuangYan
 Town Cixi Ningbo China
 P.C:315333

GENERAL TOLERANCE		ANGLE TOLERANCE	
X.	±0.60	X.	±5°
.X	±0.38	.X	±3°
.XX	±0.25	.XX	±2°

PROJECTION	TITLE
	2.50mm XH Wafer R/A SMT Type
UNITS	mm
SHEET SIZE	A4
SERIES	DS1069-11 SERIES

DRAWING TYPE	CUSTOMER	
SCALE	1:1	SHEET 2 OF 2
DRAWING NO.	C-DS1069-11-XXXXX-A	

晨翔电子有限公司
CONNFLY CONNFLY ELECTRONIC CO. LTD