

SIGN	DATE	DESCRIPTION	APPROVER
△	2008.6.19	The dimension changed from 26.00mm to 26.25mm	Kind
△	12/02'08	With flange screw changed from“-“slot type to“+/-“slot type	Jacke
△	2010.01.23	The withstanding voltage is changed	Jacke
△	2010.03.13	Add the 2p mark	Jacke
△	2010.05.17	The design is changed	Jacke
△	2011.08.09	The mark “7.62” and the dimension 2.6 & Dim C & Dim D are added	Aaron

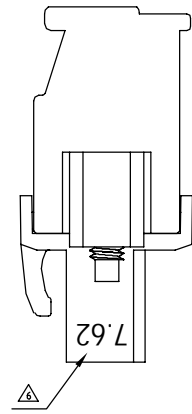
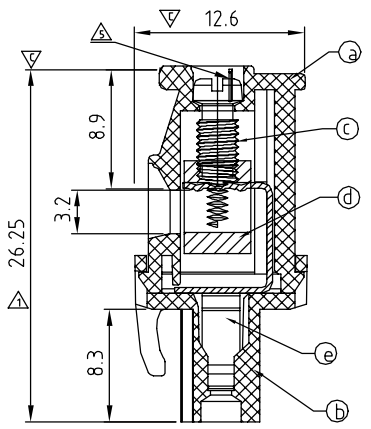
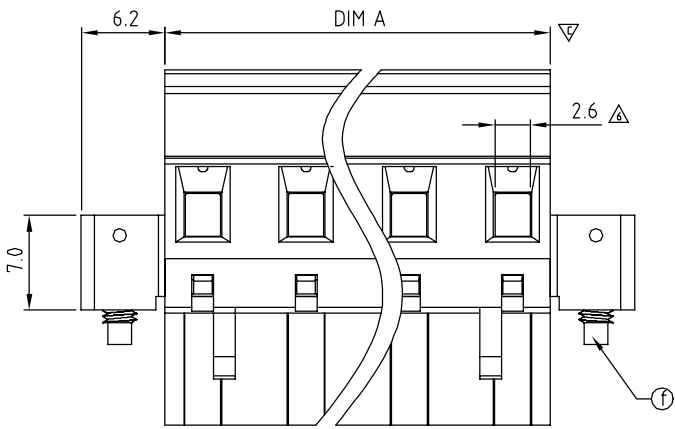
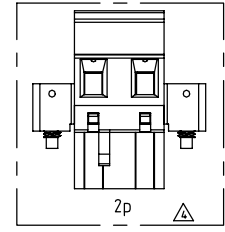
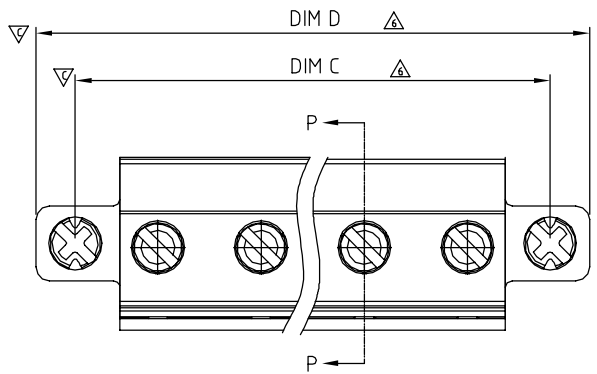
THIS IS CAD DRAWING, DO NOT REVISE MANUALLY!!

Material

- Item a Terminal up body:Thermoplastic (UL94V-0)
 - Item b Terminal down body:Thermoplastic (UL94V-0)
 - Item c Terminal screw:Steel Zinc plating “-“ slot type
 - Item d Clamp:Brass, Ni plated
 - Item e Female contact:PhBz (CuSn) Tin plated
 - △ ● Item f With flange screw:Steel Zinc plating M2.5 “+/-“ slot type
- Electrical cULus/TUV
- Voltage rating: 300VAC/750VAC
 - Current rating: 15A/15A
 - Wire range:0.34-2.5mm²
 - Solid wire(AWG): 12-24
 - Stranded wire(AWG): 12-24
 - Torque: 3.5 Lb-In 0.4Nm
 - Screw: M3
 - Wire strip length: 6-7mm
- △ ● Withstanding Voltage: 1.6KV/6KV
- Operating temperature: -40°C to +115°C
 - Safety Approval:
 - Critical dimension: ▽

TS xx 01 x C xxxx G

02 2 CONTACTS	0 Black (RAL9005)	RoHS Pb<40,000ppm 0000 Standard @ Logo 000A Standard ANY Logo Any special item by customer request, please contact sales department.
03 3 CONTACTS	2 Red (RAL3001/D)	
... ..	3 Orange(RAL2011/P)	
16 16 CONTACTS	4 Yellow(RAL1018/A)	
	5 Green(RAL6018/T)	
	6 Blue (RAL5015/A)	
	8 Grey(RAL7035/D)	
	9 White(RAL1102)	
	C Green(RAL6018/U)	
	Color	



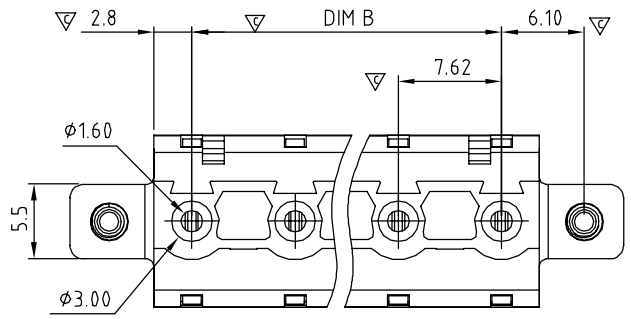
SECTION P-P

Dimension

Dim A	(N-1)×7.62+5.6
Dim B	(N-1)×7.62
Dim C	(N-1)×7.62+12.2
Dim D	(N-1)×7.62+18.0

N= Number of poles

Poles	Tolerance
2P-7P	±0.25
8P-12P	±0.30
13P-16P	±0.40



ANYTEK

CUSTOMER COPY

ALL RIGHTS RESERVED. REPRODUCTION OR ISSUE TO THIRD PARTIES IN ANY FORM WHATSOEVER IS NOT PERMITTED WITHOUT WRITTEN AUTHORITY FROM THE PROPRIETOR. PROPERTY OF ANYTEK TECHNOLOGY CO., LTD

TITLE		TS 7.62 Series 2P-16P hook on entry side With flange			
PART NO.	TSxx01xCxxxxG	DWG NO.	8TS0503		
APPROVED	CHECKED	DESIGNED	DRAWN	CUST NO.	Tolerance X. ±0.50 X.X ±0.30 X.XX ±0.10 X° ±1°
	Shi Jun 2011.08.09	Aaron 2011.08.09	Jacke 2010.05.17		
SHEET: 01/01				UNIT: mm	
				SCALE: NONE	
				REV.: I	