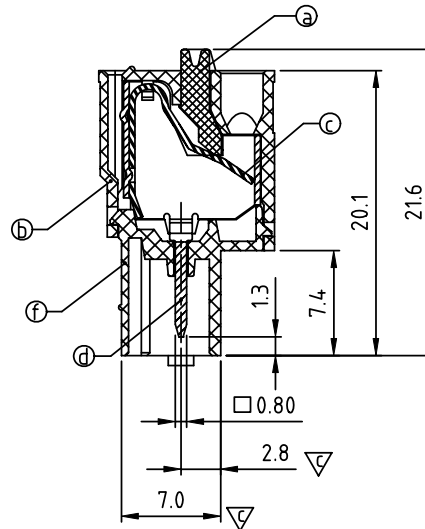
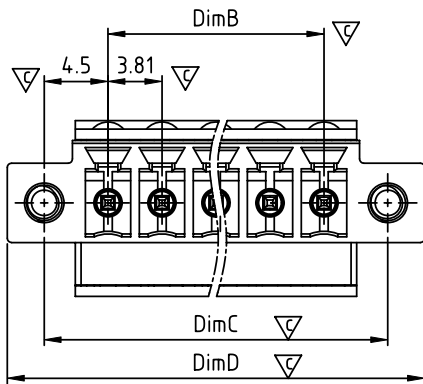
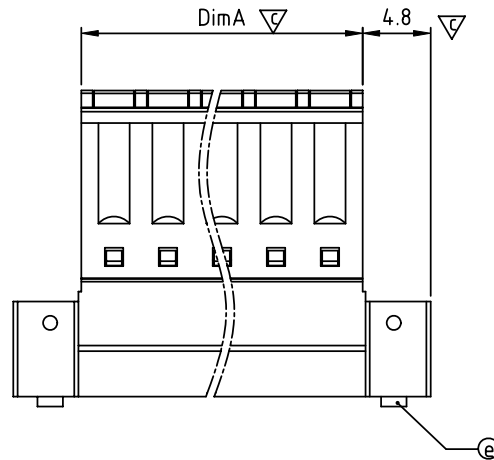
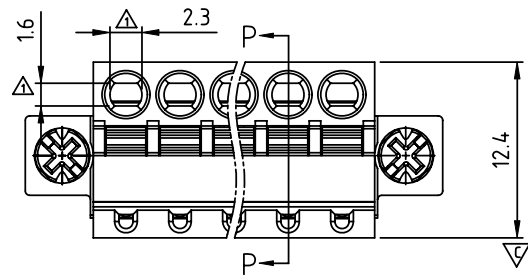


SIGN	DATE	DESCRIPTION	APPROVER
△	06/13'13	Update the drawing	Jacky
THIS IS CAD DRAWING, DO NOT REVISE MANUALLY!!!			



SECTION P-P

Material:

- Item (a) Terminal (lever): Thermoplastic (UL94V-0) Orange △
- Item (b) Terminal (up body): Thermoplastic (UL94V-0)
- Item (c) Wire guard: Stainless steel
- Item (d) Male contact pin: Phbz. Tin plated
- Item (e) With flange screw: M2.5 Steel Zinc plated.
- Item (f) Terminal (down body): Thermoplastic (UL94V-0)

Electrical:

- Voltage rating: 300 V
- Current rating: 4 A
- Wire range:
  - Solid wire (AWG): 16-28
  - Stranded wire (AWG): 16-28
- Wire strip length: 9-10 mm
- Withstanding Voltage: 1.6 KV
- Operating temperature: -40°C to +115°C
- Safety Approval: cULus
- Critical dimension: ▽

H5 xx 30 x 1 xxxx G

No. OF POLES  
02: 2 POLES  
:  
24: 24 POLES

COLOR  
0: BLACK  
5: GREEN (RAL 6018/T)  
6: BLUE  
8: GREY (RAL 7035/D)  
△ C: GREEN (RAL 6018/U)

RoHS compliant  
(lead < 4%)  
In copper Alloy

0000: "@ Logo (Standard)  
000A: "ANYTEK" Mark  
Any special item by  
customer request.  
please contact sales  
department.

△N = Number of poles

DIM	TOL				
	2P-6P	7P-12P	13P-18P	19P-24P	
DimA	N×3.81+0.8	±0.10	±0.15	±0.20	±0.30
DimB	(N-1)×3.81	±0.10	±0.15	±0.20	±0.30
DimC	(N-1)×3.81+9.0	±0.15	±0.20	±0.30	±0.40
DimD	N×3.81+10.4	±0.15	±0.20	±0.30	±0.40

**ANYTEK**

**CUSTOMER COPY**

ALL RIGHTS RESERVED. REPRODUCTION OR ISSUE TO THIRD PARTIES IN ANY FORM WHATSOEVER IS NOT PERMITTED WITHOUT WRITTEN AUTHORITY FROM THE PROPRIETOR. PROPERTY OF ANYTEK TECHNOLOGY CO., LTD

TITLE		H5 3.81mm Flange With screw Series		
PART NO.	H5xx30x1xxxxG	DWG NO.	8H50203△	
APPROVED	CHECKED	DESIGNED	DRAWN	CUST NO.
		Jacky 2013.06.13	Jacky 2013.06.13	
				Tolerance
				X. ±0.50
				X.X ±0.30
				X.XX ±0.10
				X° ±1°
SHEET: 01/01				REV.: C