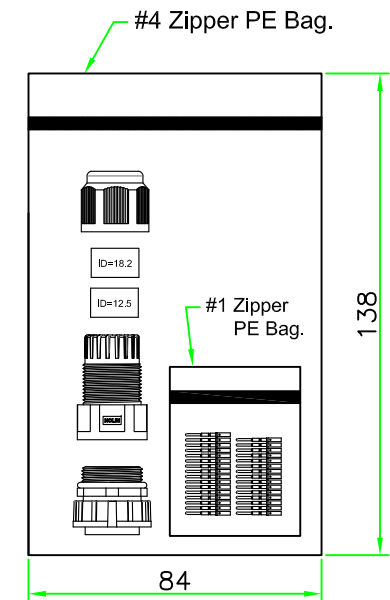
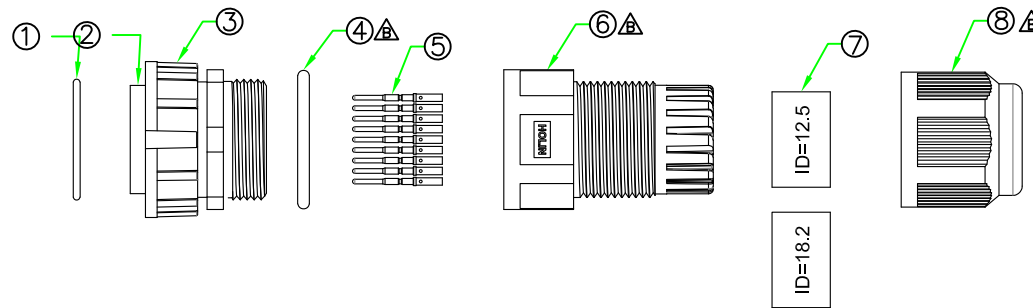
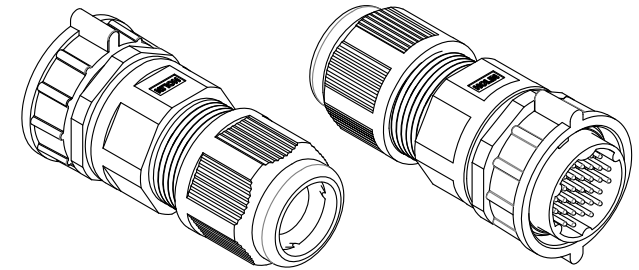
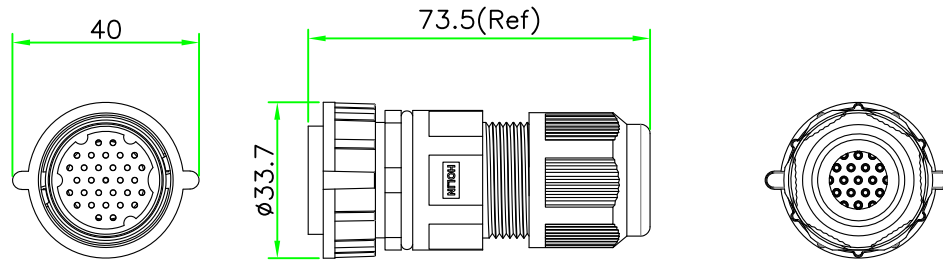


RoHS

REV.	DESCRIPTION	DATE
A	ISSUE	Jul/09/2020
B	Change design.	Feb/02/2021



8	CLAMP NUT	Nylon+GF. $\Delta$		1	
7	TUBE	RUBBER (ID=12.5 & 18.2mm).	BLACK	2	
6	HOOD	NYLON. $\Delta$		1	
5	CONTACT	BRASS. 6u" Gold Plated Over Nickel Plated.		31	
4	O-RING $\Delta$	NBR.		1	O-2425-NB01
3	LOCK NUT	Nylon+GF.		1	
2	CONNECTOR	Circular E Size 31P Connector Insert. Nylon+GF.	BLACK	1	
1	O-RING	SILICON.	BLACK	1	O-2215-SK01
No.	PART NAME	DESCRIPTION	COLOR	Q'TY	REMARKS

**HOLIN®** HTP ASIA TECHNOLOGY CO., LTD.  
禾凌科技股份有限公司

UNIT: mm  
SCALE: 2:3  
TITLE: Circular E Size Lock Type  
Female Connector Male Pin Crimp Type  
Field Installable Plug

UNLESS OTHERWISE SPECIFIED TOLERANCES:  
x ±0.5 xx ±0.25  
xxx ±0.1 ANGLE ±1°

P/N: CED-L431SAC  
DR. JAMES  
CH. ERIC  
AP.

REV. B SHEET 1/1 DWG.NO: CED-L431SAC