



NV23K    NV23KW  
12×13×9.9

# NV23K&NV23KW

## Features

- Small size, lightweight (4g)。
- Withstands high temperature, operating under 105°C ambient temperature.
- Heavy contact load switching current up to 30A.  
Suitable for automobile and lamp accessories application.

## Ordering Information

**NV23K**   **C**   **Z**   **30**   **DC12V**   **N**   **0.57**  
 1            2            3            4            5            6            7

1 Part number: NV23K,NV23KW(Wide pin)  
 2 Contact arrangement: A:1A; C:1C  
 3 Enclosure: S: Wash tight relay;  
                   Z: Dust protected

4 Contact current: 30: 30A; 20: 20A  
 5 Coil rated voltage(V): DC:10,12,24  
 6 Contact material: S:AgSnO<sub>2</sub>; N:AgNi  
 7 Coil power consumption: 0.55:0.55W; 0.57:0.57W;0.8:0.8W

## Contact Data

Contact Arrangement	1A (SPSTNO) ,1C (SPDT(B-M))		
Contact Material	AgSnO <sub>2</sub> AgNi		
Contact Rating	Resistive: 1A:30A,20A/14VDC 1C:NO:30A,20A/14VDC; NC:25A,15A/14VDC		
Max. Switching Power	420W		
Max. Switching Voltage	24VDC	Max. Switching Current:30A	
Max. carrying current	NO:40A for 2 minutes,30A for 1 hour(12VDC at 20°C); 35A for 2 minutes,25A for 1hour(12VDC at 85°C)		
Voltage drop	≤ 30mV (at 10A)	Item 4.12 of IEC 61810-7	
Operation life	Electrical	10 <sup>5</sup>	Item 4.30 of IEC 61810-7
	Mechanical	10 <sup>7</sup>	Item 4.31 of IEC 61810-7

**CAUTION:** 1.For the intermediate current, it only applies to the room temperature.

## Coil Parameter

Dash numbers	Coil voltage VDC		Coil resistance Ω ± 10%	Pickup voltage VDC(max) (58% of rated voltage)	Release voltage VDC(min) (12.5% of rated voltage)	Coil power consumption W	Operate Time ms	Release Time ms
	Rated	Max.						
010-550	10	12	181	5.7	1.25	0.55	≤4	≤1.5
012-570	12	14.4	254	6.9	1.5	0.57		
024-570	24	28.8	1010	13.8	3	0.57		
010-800	10	12	125	5.7	1.25	0.8		
012-800	12	14.4	180	6.9	1.5	0.8		
024-800	24	28.8	720	13.8	3	0.8		

**CAUTION:** 1.The use of any coil voltage less than the rated coil voltage will compromise the operation of the relay.  
 2.Pickup and release voltage are for test purposes only and are not to be used as design criteria.

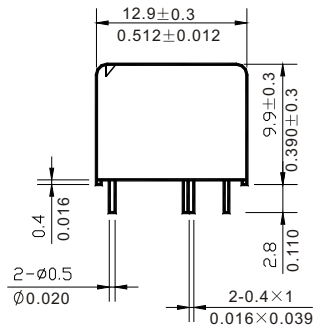
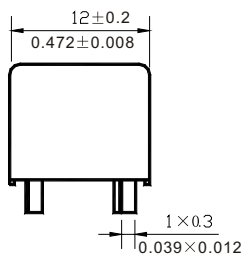
# NV23K&NV23KW

## Operation condition

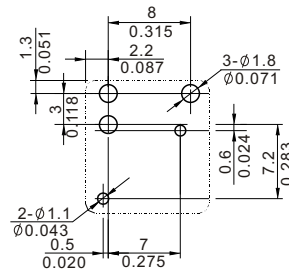
Insulation Resistance	1000M $\Omega$ min (at 500VDC)	Item 4.11 of IEC61810-7
Dielectric Strength Between contacts Between contact and coil	50Hz 500V 50Hz 500V	Item 4.9 of IEC61810-7 Item 4.9 of IEC61810-7
Shock resistance	300m/s <sup>2</sup> 6ms	Item 4.26 of IEC 61810-7
Vibration resistance	10Hz~500Hz double amplitude 1.27mm 60m/s <sup>2</sup>	Item 4.28 of IEC 61810-7
Terminals strength	10N	Item 4.24 of IEC 61810-7
Ambient Temperature	-40 $^{\circ}$ C~105 $^{\circ}$ C	
Relative Humidity	85% (at 20 $^{\circ}$ C)	Item 4.16 of IEC 61810-7
Mass	4g	Item 4.7 of IEC 61810-7

## Dimensions

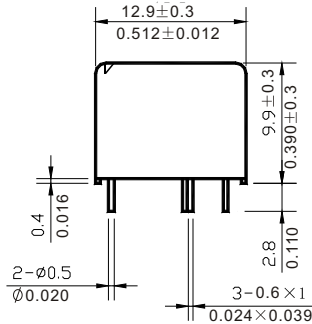
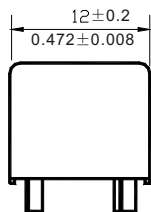
mm /inch



NV23K

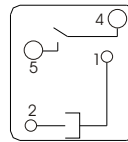


Mounting (Bottom view)

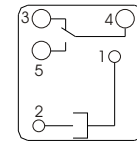


NV23KW

Dimensions



1A



1C

Wiring diagram  
(Bottom view)

NOTES 1).Dimensions are in millimeters.

2).Inch equivalents are given for general information only.