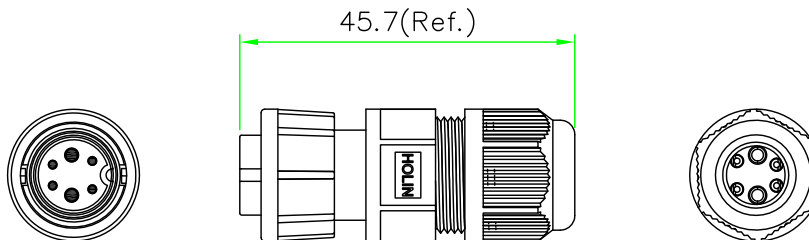
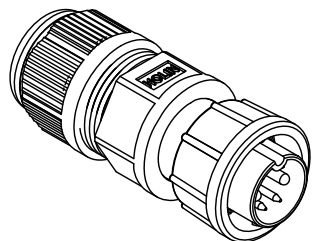


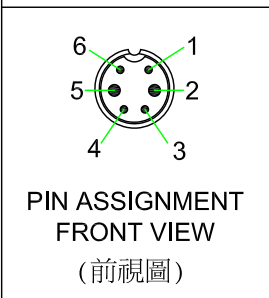
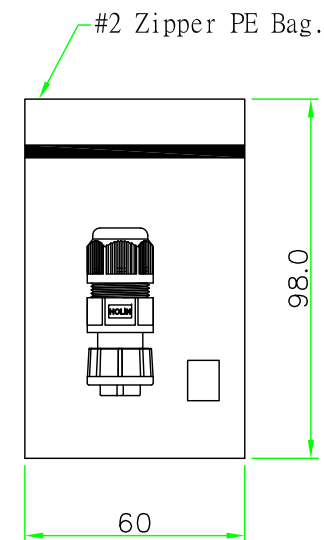
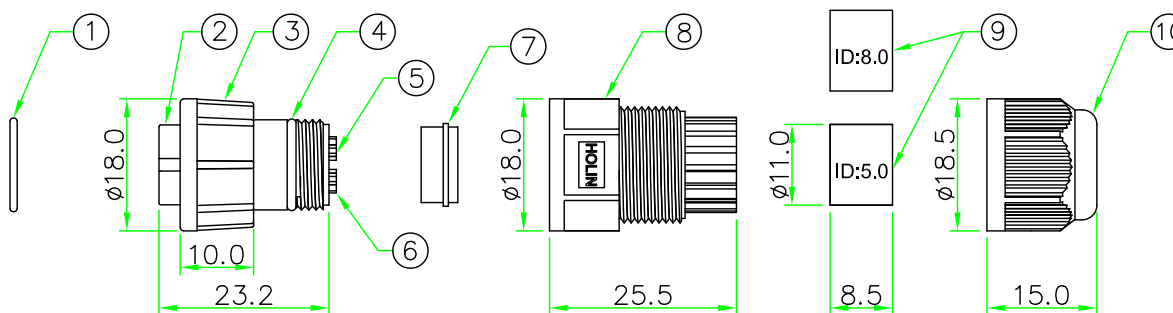
RoHS

IP66-68

REV.	DESCRIPTION	DATE
A	ISSUE	May/11/2015



NOTES:
 1. ELECTRICAL CHARACTERISTICS:
 CURRENT RATING: 10A + 5A
 CONNECTOR TEMPERATURE RANGE: -20°C TO +80°C
 DIELECTRIC WITHSTANDING VOLTAGE:
 500V AC FOR ONE MINUTE



10	CLAMP NUT	NYLON+GF.	BLACK	1	
9	TUBE	Rubber (ID= 5.0 & 8.0mm)	BLACK	2	
8	HOOD	NYLON.	BLACK	1	
7	GASKET	EPDM	BLACK	1	
6	CONTACT	Brass , 6 u" Gold plated .Male Contact.		4	
5	CONTACT	Brass , 6 u" Gold plated .Male Contact.		2	
4	O-RING	NBR.	BLACK	1	
3	LOCK NUT	NYLON+GF.	BLACK	1	
2	CONNECTOR	B Size Female Connector Insert, NYLON+GF.	BLACK	1	
1	O-RING	NBR.	BLACK	1	
No.	PART NAME	DESCRIPTION	COLOR	Q'TY	REMARKS

HOLIN® HTP ASIA TECHNOLOGY CO., LTD.
 禾凌科技股份有限公司

UNIT: mm
 SCALE: 1:1

TITLE : Circular B Size Lock Type Female Connector Male Pin Field Installable Plug

P/N: CBPD-L424SA
 DWG.NO: CBPD-L424SA

UNLESS OTHERWISE SPECIFIED TOLERANCES:
 .X ± 0.25 .XX ± 0.1
 .XXX ± 0.05 ANGLE ± 1°

REV. A SHEET 1/1

DR. Patty
 CH. ERIC
 AP.