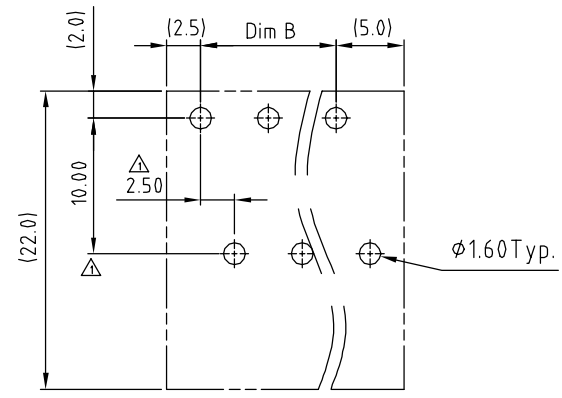
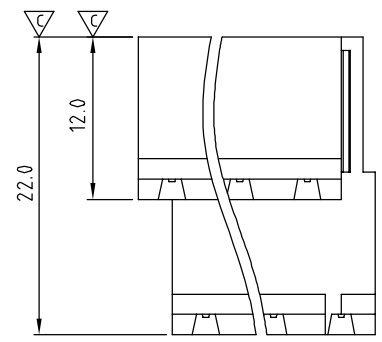
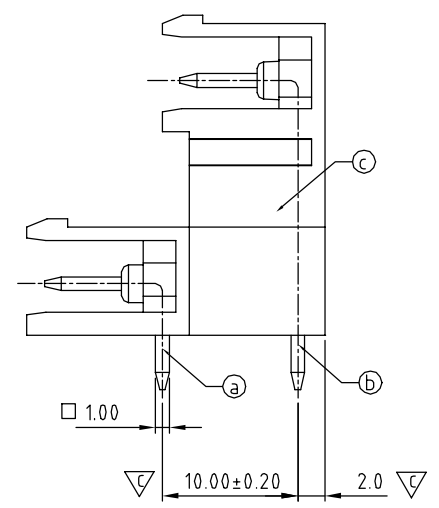
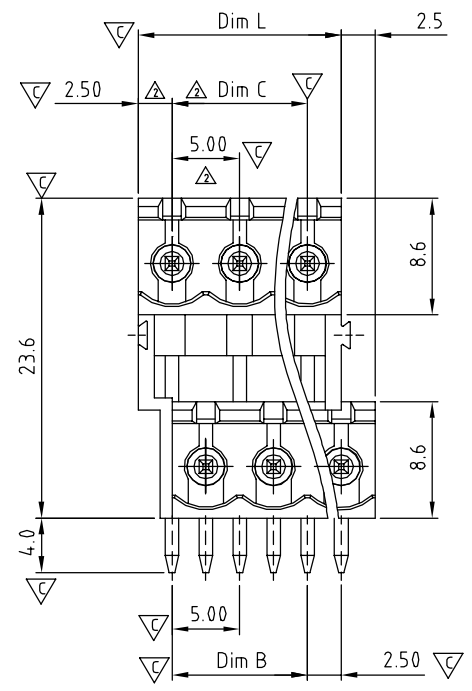


SIGN	DATE	DESCRIPTION	APPROVER
△	2011.08.24	The dimension is changed from 2.54 & 10.16 to 2.50 & 10.00	Aaron
△	2011.08.24	The dimension are added	Aaron

THIS IS CAD DRAWING, DO NOT REVISE MANUALLY!!!



RECOMMENDED PCB LAYOUT



Material

- Item (a) Short male Contact pin: Copper ,Tin plated
- Item (b) Long male Contact pin: Copper ,Tin plated
- Item (c) Terminal (housing): Thermoplastic (UL94V-0)

Electrical

- Voltage rating: 300VAC
- Current rating: 10A
- Withstanding Voltage: 1.6KV
- Operating temperature: -40°C to +115°C
- Soldering temperature: 250°C±10°C/5 Sec
- Safety Approval: us
- Critical dimension: ▽

VF xx 70 x 1 xxxx G

Poles	←	→	RoHS
04 2x2Poles			Pb<40,000ppm
06 2x3Poles			0000 Standard @ Logo
...			000A Standard ANY Logo
48 2x24Poles			Any special item by customer request, please contact sales department.
	Color		
	0 Black (RAL9005)		
	2 Red (RAL3001/D)		
	3 Orange (RAL2011/P)		
	4 Yellow (RAL1018/A)		
	5 Green (RAL6018/T)		
	6 Blue (RAL5015/A)		
	8 Grey (RAL7035/D)		
	9 White (RAL1102)		
	C Green (RAL6018/U)		

N=Number of poles

Dimension		TOL				
		2x2P-2x5P	2x6P-2x10P	2x11P-2x15P	2x16P-2x20P	2x21P-2x24P
Dim L	N/2x5.0	±0.15	±0.20	±0.25	±0.30	±0.35
Dim B	(N/2-1)x5.0	±0.15	±0.20	±0.25	±0.30	±0.35
Dim C	(N/2-1)x5.0	±0.15	±0.20	±0.25	±0.30	±0.35

ANYTEK				CUSTOMER COPY			
ALL RIGHTS RESERVED. REPRODUCTION OR ISSUE TO THIRD PARTIES IN ANY FORM WHATSOEVER IS NOT PERMITTED WITHOUT WRITTEN AUTHORITY FROM THE PROPRIETOR. PROPERTY OF ANYTEK TECHNOLOGY CO., LTD							
TITLE		VF-5.00 Series 2x2P-2x24P (Open) Right-angle					
PART NO.		VFxx70x1xxxxG			DWG NO.		8VF0003
APPROVED		CHECKED	DESIGNED	DRAWN	CUST NO.		Tolerance
			Aaron 2011.08.24	Chen Bo 2011.02.21			X. ±0.50 X.X ±0.30 X.XX ±0.10 X° ±1°
		SHEET: 01/01		UNIT: mm SCALE: NONE REV.: C			