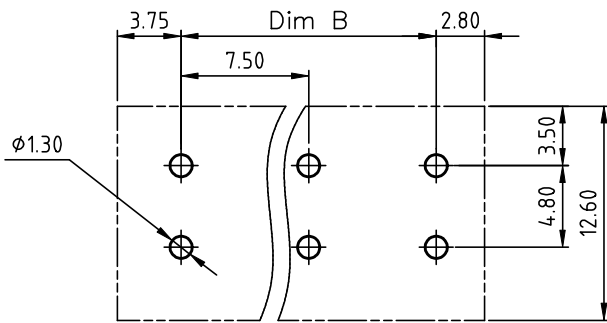
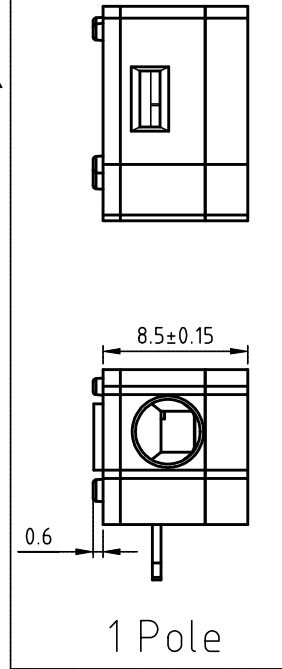
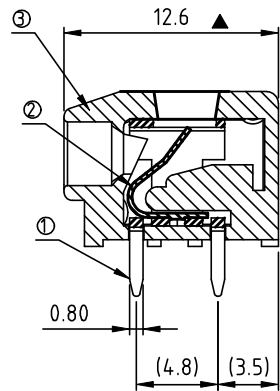
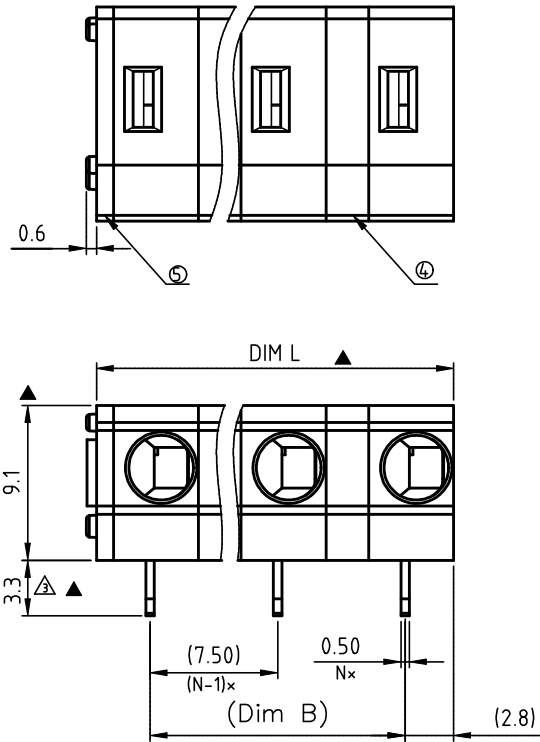


RoHS Compliant



P.C.B. LAYOUT  
Top view

△N=NUMBER OF POLES

Dim L	(N-1)×7.5+6.0
Dim B	(N-1)×7.5

	Dim L	
2-4p	±0.2	△
5-8p	±0.3	
9-12p	±0.4	
13-16p	±0.45	

Rev.	SIGN	DATE	DESCRIPTION	APPROVER
E	△	01/24'07	The Soldering temperature from 245° to 250°	Aaron
E	△	01/24'07	Add "VDE" stipulation	Aaron
F	△	01/02'13	change the electrical specification and the dimension from 3.6 to 3.3	Da cheng
G	△	11/11'19	Add the RoHS Compliant&Amphenol Logo.	Guoxue
G	△	11/11'19	Update the VDE Current rating & Wire range&Voltage rating & Withstanding Voltage	Guoxue
G	△	11/11'19	Add the "Reference dimension"	Guoxue
G	△	11/11'19	Add the "Wave Soldering temperature: 260°C±5°C/5 Sec	Guoxue
G	△	11/11'19	Delete the Dim.B	Guoxue
G	△	11/11'19	Add the 1 Pole view.	Guoxue

**THIS IS CAD DRAWING, DO NOT REVISE MANUALLY!!!**

- △ Material ● Item ① Contact pin : Brass.Tin plated  
 ● Item ② Wire guard: Stainless steel  
 ● Item ③ Insulator body: Thermoplastic (UL94V-0)  
 ● Item ④ Pad board: Thermoplastic (UL94V-0)  
 ● Item ⑤ Insulating cover :Thermoplastic (UL94V-0)

- △ Electrical cULus VDE △
- Voltage rating: 300VAC 750VAC △
  - Current rating: 10A 9A △
  - Wire range: 0.2-0.75mm<sup>2</sup>
  - Solid wire(AWG): 14-20
  - Stranded wire(AWG): 14-20
  - Wire strip length: 9-10mm
  - Withstanding Voltage: 1.6KV 3.0KV △
  - Operating temperature: -40°C to +115°C
  - Wave Soldering temperature: 260°C±5°C/5 Sec
  - Safety Approval:
  - Critical dimension: △
  - Reference dimension: ( × )The dimensions of pitch are just for reference,take the actual assembly result as a judgment when inserting the terminal block into the PCB hole.

HBxx21x1xxxxG

△ Poles	Color	△ RoHS compliant (lead<4%) In copper Alloy
01 1 Pole	0 Black (RAL9005)	000 0 Standard @ Logo
02 2Poles	2 Red (RAL3001/D)	000 A Standard ANY Logo
16 16Poles	3 Orange(RAL2011/P)	Any special item by customer request, please contact sales department.
	4 Yellow(RAL1018/A)	
	5 Green(RAL6018/T)	
	6 Blue (RAL5015/A)	
	8 Grey(RAL7004/P)	
	9 White(RAL1102)	
	C Multiple colors	

<b>Amphenol ANYTEK</b>		<b>CUSTOMER COPY</b>	
ALL RIGHTS RESERVED. REPRODUCTION OR ISSUE TO THIRD PARTIES IN ANY FORM WHATSOEVER IS NOT PERMITTED WITHOUT WRITTEN AUTHORITY FROM THE PROPRIETOR. PROPERTY OF ANYTEK TECHNOLOGY CO., LTD			
TITLE	HB - 7.5mm Series (Single wire w/o Lever)		
PART NO.	HBxx21x1xxxxG	DWG NO.	8HB0103
APPROVED	CHECKED	DESIGNED	DRAWN
		Guoxue 2019.11.11	Guoxue 2019.11.11
		UNIT: mm	Tolerance X. ±0.50
		SCALE: NONE	X.X ±0.30
		SHEET: 01/01	X.XX ±0.10
		REV.: G	X° ±1°