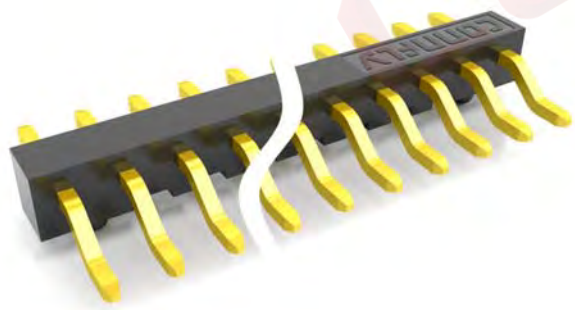
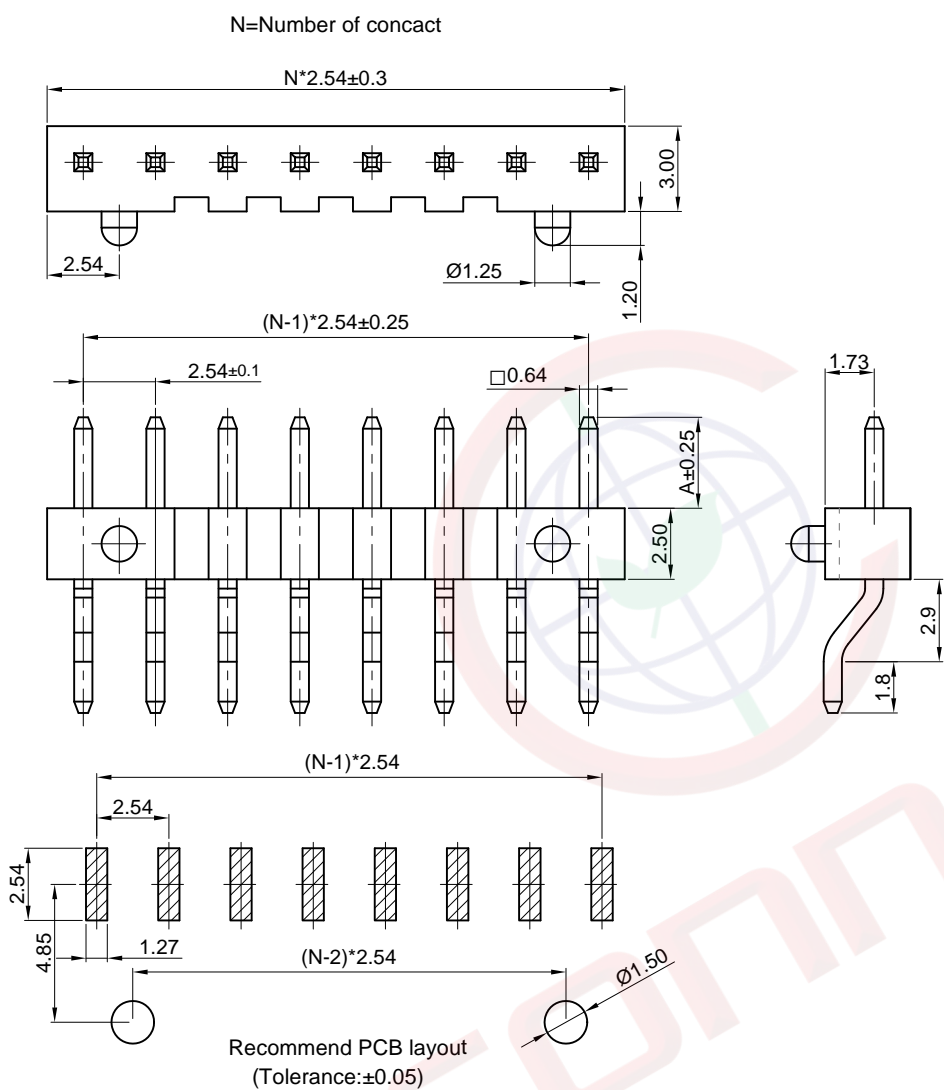


The information provided herein is from CONNELY Electronic Co., Ltd. and is confidential. Any disclosure to a party other than the recipient is prohibited. The intellectual properties and its rights contained herein, including but not limited to, trademarks, patents, copyrights, trade secrets, and technical know-how, are owned exclusively by CONNELY or its affiliates. Unauthorized use or reproduction of any part of this document, in any form or by any means, without the prior written permission of CONNELY may result in legal action. CONNELY may enforce its intellectual property rights at its own discretion, failures or delays in exercising such rights does not constitute a waiver of such rights.

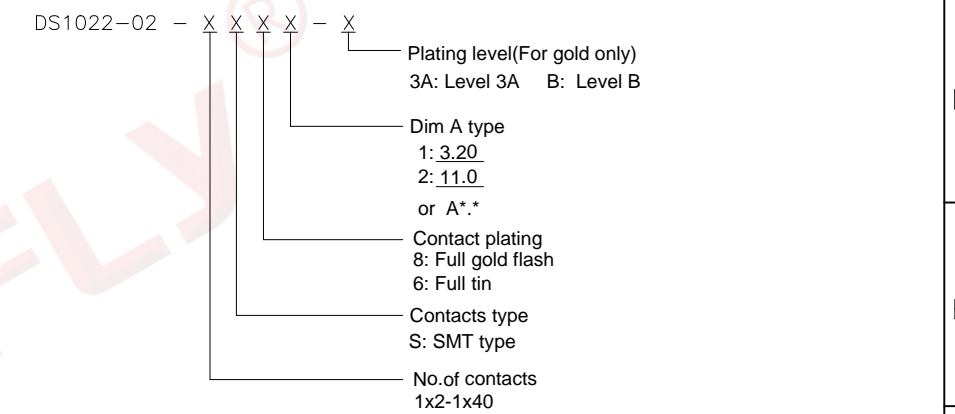
Dept	Qty
DC	1
ED	1
IE	1
ISO	1
PD	1
R&D	1
SD	1
QA	1
QC	1
QF	1



(Series Image-Reference Only)

REV.	DESCRIPTION	DRAWN	CHECKED	APPROVED
A	NEW RELEASE	YCH 12/10/07'		LJC 12/10/07'
B	ADD PLATING LEVEL	JLZ 09/25/14'		LJC 09/25/14'
C	DRAWING UPDATE	JLZ 12/20/18'		

- NOTES:
- Specifications:
1. Contact resistance: 20mΩ Max.
 2. Insulation resistance: 1000MΩ Min.
 3. Dielectric withstanding voltage: 600V AC(Rms) for 1 minute.
 4. Current rating:3A.
 5. Voltage rating:250V AC Rms.
 6. Temperature: -40°C~+105°C.
- Materials:
1. Contact material: Copper alloy.
 2. Contact plating: Gold plating over nickel.
 3. Insulator material: High temp,Black,UL94-V0.
- Product number code:



GENERAL TOLERANCE	ANGLE TOLERANCE	PROJECTION		TITLE	2.54mm PIN HEADER
X. ±0.60	X. ±5°	UNITS	mm	SINGLE ROW R/A SMT TYPE W/ POST	
.X ±0.38	.X ±3°	SHEET SIZE	A4	SERIES	DS1022-02 SERIES
.XX ±0.25	.XX ±2°	晨翔电子有限公司 CONNFLY CONNELY ELECTRONIC CO. LTD			
DRAWING TYPE	CUSTOMER				
SCALE	1:1				
DRAWING NO.	C-DS1022-02-XXXX-X-C				