

# SPECIFICATION

|                    |  |
|--------------------|--|
| <b>CUSTOMER</b>    |  |
| <b>PRODUCT P/N</b> | <b>UDDD-T030560-APGXGW</b>   |
| <b>TYPE</b>        | <b>0.56" Three Digits display<br/>Pure Green Common Anode<br/>grayface</b> |

## ■ RECORD OF REVISION

| <b>Version</b> | <b>Date</b> | <b>Page</b> | <b>Description</b> |
|----------------|-------------|-------------|--------------------|
| 0.0            | 2013/23/12  | All         | New document       |
|                |             |             |                    |
|                |             |             |                    |
|                |             |             |                    |
|                |             |             |                    |
|                |             |             |                    |
|                |             |             |                    |
|                |             |             |                    |

## ■ FEATURES

Connecting Form: Common Anode

Lighting Color: Pure green

## ■ ELECTRICAL OPTICAL CHARACTERISTICS (Ta = 25°C):

| Parameter                  | Symbol          | Min | Type | Max | Unt                 | Test Condition |
|----------------------------|-----------------|-----|------|-----|---------------------|----------------|
| Luminous Intensity         | IV              | 160 |      | 185 | mcd/cm <sup>2</sup> | IF=10mA        |
| Peak Wavelength            | $\lambda_p$     |     |      |     | nm                  | IF=20mA        |
| Wavelength                 | $\lambda_d$     | 510 |      | 520 | nm                  | IF=20mA        |
| Spectrum Line Half-Width   | $\Delta\lambda$ |     |      |     | nm                  | IF=20mA        |
| Forward Voltage            | Vf              | 2.8 | 3.2  | 3.6 | V                   | IF=20mA        |
| Reverse Current            | IR              |     |      | 50  | uA                  | VR=5V          |
| Suggestion Forward Current | IF              | 3   | 5-10 | 20  | mA                  | IF=20mA        |

## ■ ABSOLUTE MAXIMUM RATINGS (Ta=25°C)

| Parameter                                      | Rating  | Unit          |
|--|---------|---------------|
| Reverse Voltage                                | 5       | V             |
| Power Dissipation Per Dice                     | 50      | mW/chip       |
| Operating Temperature Ranger                   | -20~+85 | °C            |
| Storage Humidity                               | 45%~85% | °F            |
| Storage Temperature Ranger                     | -20~+85 | °C            |
| Soldering Temperature                          | 260±5°C | For 3 Seconds |
| Peak IF(ma) (1/10Duty Cycle 0.1ms Pulse Width) | 80      | mA/chip       |
| Continuous Forward Current                     | 20      | mA/chip       |

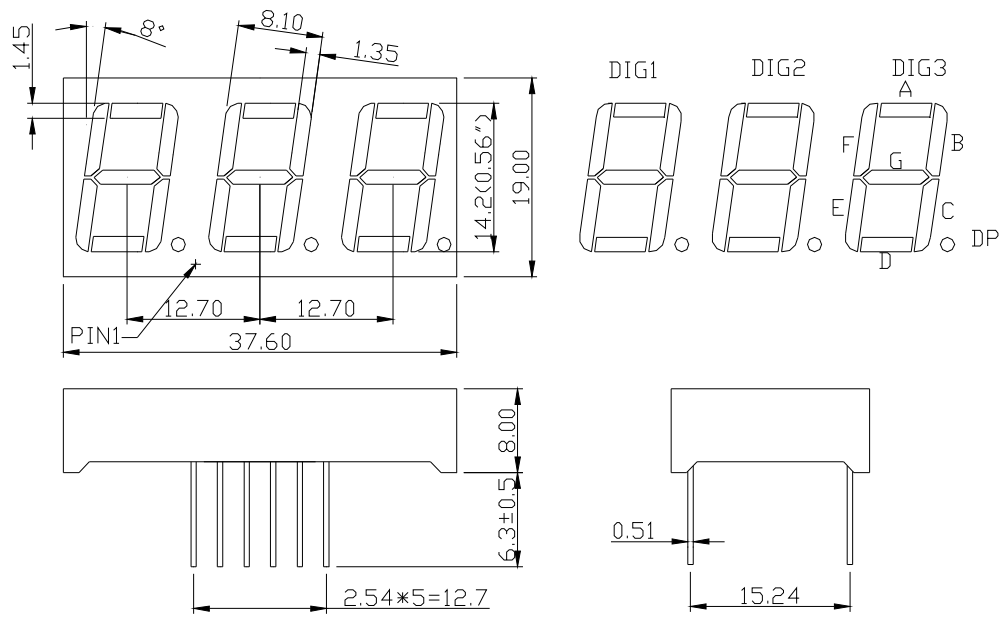
## ■ SUGGESTED WAY OF USAGE

When using LED it's circuit adopts current limiting with DC current about 5~10mA, not more than 20mA at maximum

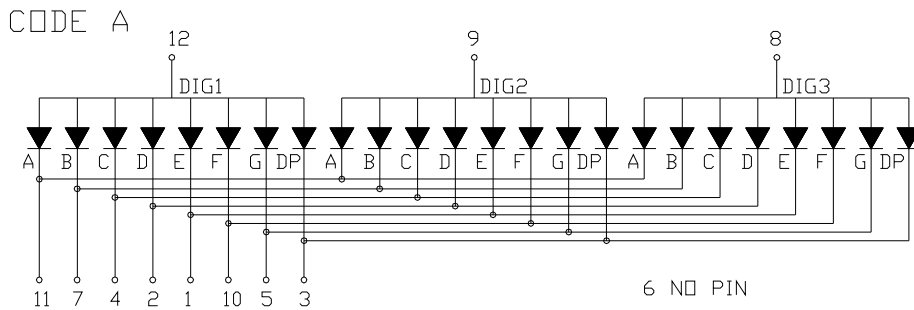
■ FRONT VIEW COLORS (FACE FILM)



■ PACKAGE DIMENSION



■ INTERNAL CIRCUIT DIAGRAM



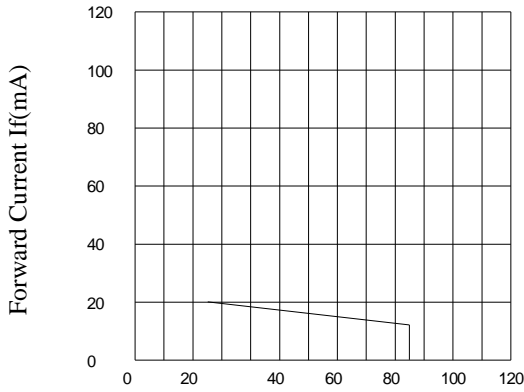
Notes:

- a. All dimensions are in millimeters (inches)
- b. Tolerance are ±0.25mm(0.01") unless otherwise noted

## ■ TYPICAL OPTICAL/ELECTRICAL CURVES

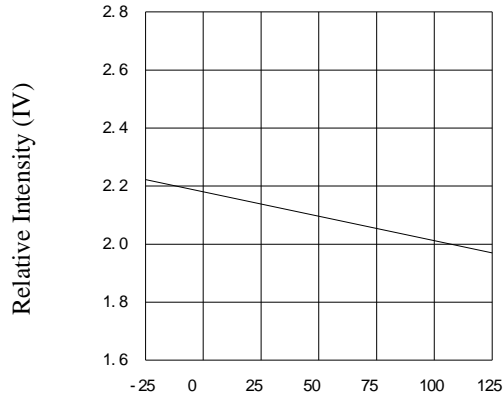
(Ta=25°C Unless Otherwise Noted)

Forward Current VS. Ambient Temperature



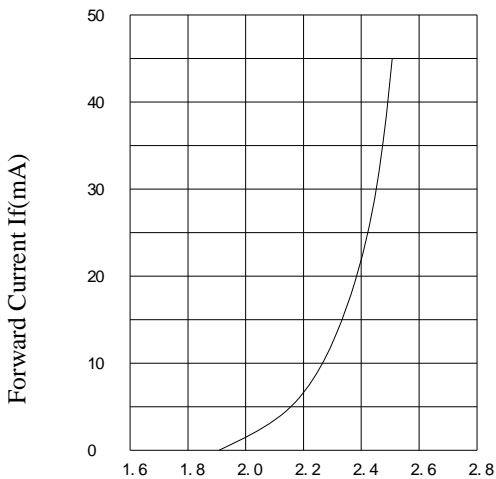
Ambient Temperature Ta(°C)

Relative Intensity VS. Ambient Temperature



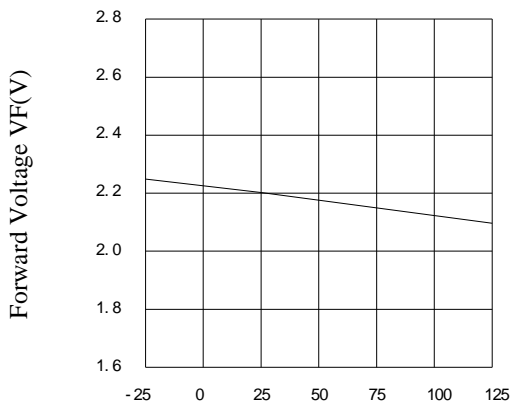
Ambient Temperature Ta(°C)

Forward Current VS. Forward Voltage



Forward Voltage VF(V)

Forward Voltage VS. Ambient Temperature



Ambient Temperature Ta(°C)

Luminous Spectrum(Ta=25°C)  
RADIANCE

SPECTRAL

