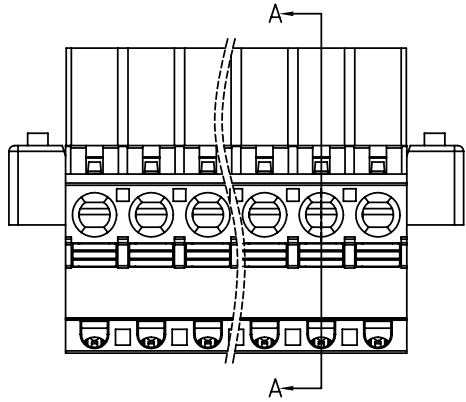


SIGN	DATE	DESCRIPTION	APPROVER
△	04/07'10	Add the 2P mark	RUNNER
<i>THIS IS CAD DRAWING, DO NOT REVISE MANUALLY!!!</i>			

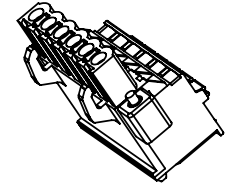


Dimension

DIM A	$N \times 5.0 + 0.10$
DIM B	$(N-1) \times 5.0$

N=Number of poles

POLES	TOL
2p-6p	± 0.15
7p-12p	± 0.25
13p-16p	± 0.35
17p-24p	± 0.40



Material

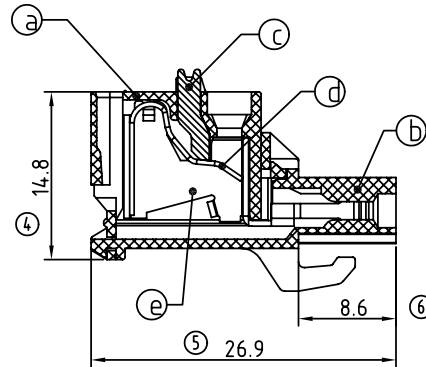
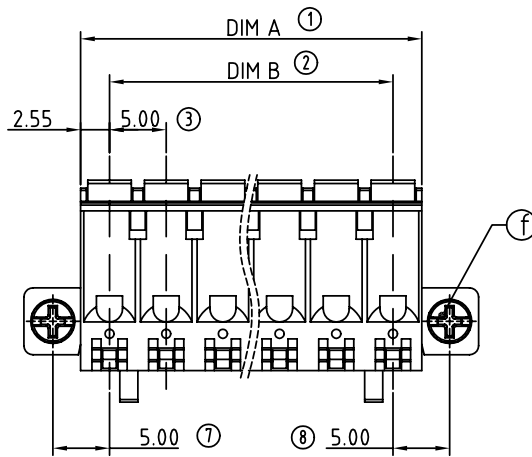
- Item a Terminal body:Thermoplastic (UL94V-0)
- Item b Terminal body:Thermoplastic (UL94V-0)
- Item c Terminal lever:Thermoplastic (UL94V-0)
- Item d Wire guard:Stainless Steel
- Item e Female contact:PhBz (CuSn) Tin plated
- Item f With flange screw:Steel Zinc plating M2.5 solt "+/-" type

Electrical cULus

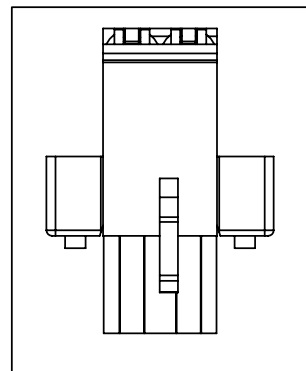
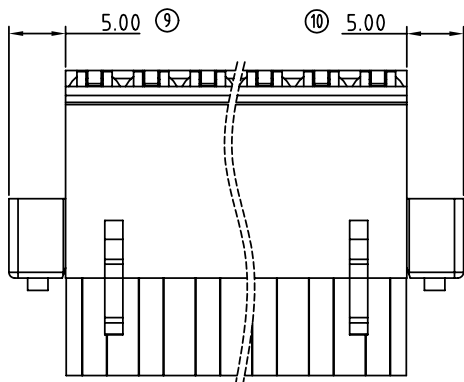
- Voltage rating:300V
- Current rating:10A
- Solid wire(AWG):12-26
- Stranded wire(AWG):12-26
- Wire strip length:9-10mm
- Withstanding Voltage:1.6KV
- Operating temperature:-40°C to +115°C
- Safety Approval: us

H4 xx 70 x D xxxx G

02 2 CONTACTS	0 Black	0000 Standard @ Logo	RoHS
03 3 CONTACTS	5 Green	000A Standard ANY Logo	Pb<40,000ppm
... ..	6 Blue	Any special item by customer request, please contact sales department.	
24 24 CONTACTS	8 Grey		



SECTION A-A



2P

ANYTEK		CUSTOMER COPY	
ALL RIGHTS RESERVED. REPRODUCTION OR ISSUE TO THIRD PARTIES IN ANY FORM WHATSOEVER IS NOT PERMITTED WITHOUT WRITTEN AUTHORITY FROM THE PROPRIETOR. PROPERTY OF ANYTEK TECHNOLOGY CO., LTD			
TITLE		H4 5.0 Series hook on back side (With flange)	
PART NO.	H4xx70xDxxxxG	DWG NO.	8H40104
APPROVED	CHECKED	DESIGNED	DRAWN
		Runner 2010.04.07	Tony 2009.03.12
		CUST NO.	
		Tolerance	
		X. ± 0.50	
		X.X ± 0.30	
		X.XX ± 0.10	
		X* $\pm 1^*$	
		UNIT: mm	
		SCALE: NONE	
		SHEET: 01/01	
		REV.: C	