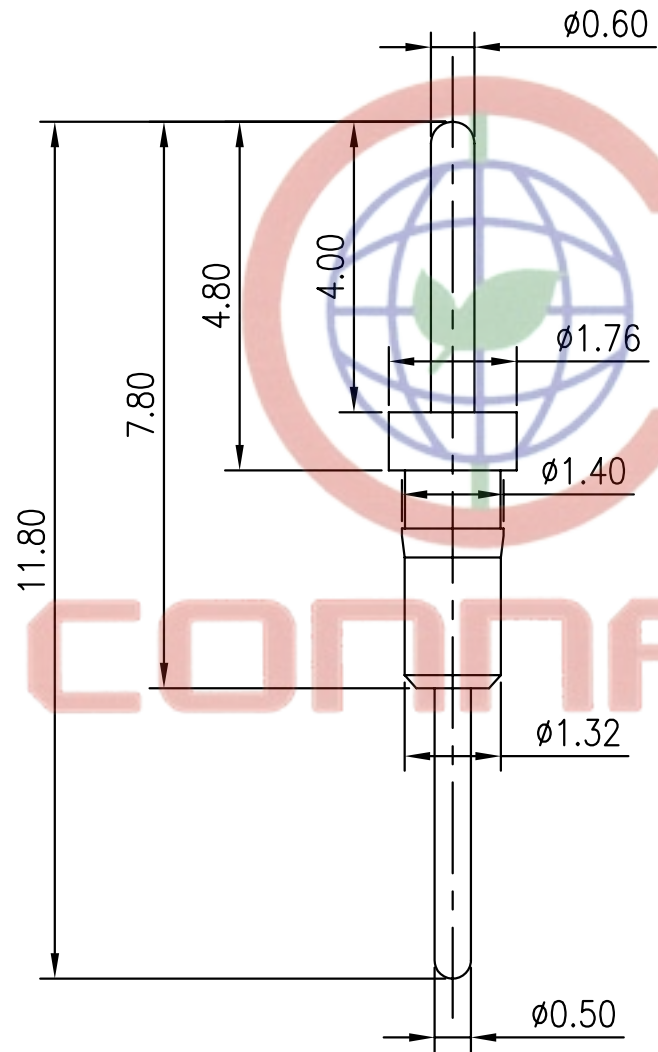


| REV. | DESCRIPTION | DRAWN | CHECKED | APPROVED |
|------|-------------|--------------|---------|----------|
| A | NEW RELEASE | LJH 08/31/05 | | |
| | | | | |
| | | | | |



Notes:

- MATERIAL
Brass, Machined, CuZn38Pb2
- ELECTRICAL
. Current Rating: 1A Per Pin max.
. Operating Voltage: 60V max

3. PRODUCT NUMBER CODE:

DS1006-10 - X

Pin Plating
6: Full Tin
8: Full gold flash

Tel: 86-574-63508787

Fax: 86-574-63510817

| | | | | | | | | |
|-------------------|---------------|-----------------|--------|--|----|------------|----------------------------------|------------------|
| GENERAL TOLERANCE | | ANGLE TOLERANCE | | PROJECTION | | TITLE | BOARD TO BOARD TERMINALS 11.80mm | |
| X. | ±0.20 | X. | ±2° | UNITS | mm | SHEET SIZE | A4 | SERIES DS1006-10 |
| .X | ±0.10 | .X | ±1° | 晨翔电子有限公司 CONNFLY CONNFLY ELECTRONIC CO. LTD | | | | |
| .XX | ±0.05 | .XX | ±0.5° | | | | | |
| DRAWING TYPE | | COMPONENTS | | P.O.: 315321 | | | | |
| SCALE | 1:1 | SHEET | 1 OF 1 | | | | | |
| DRAWING NO. | C-DS1006-10-X | | | | | | | |