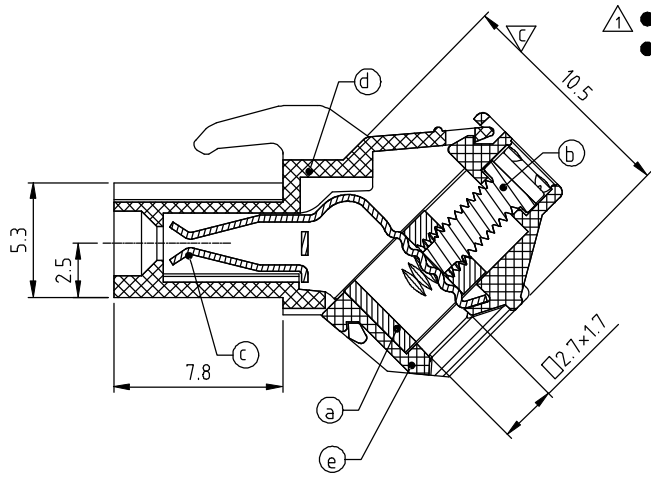
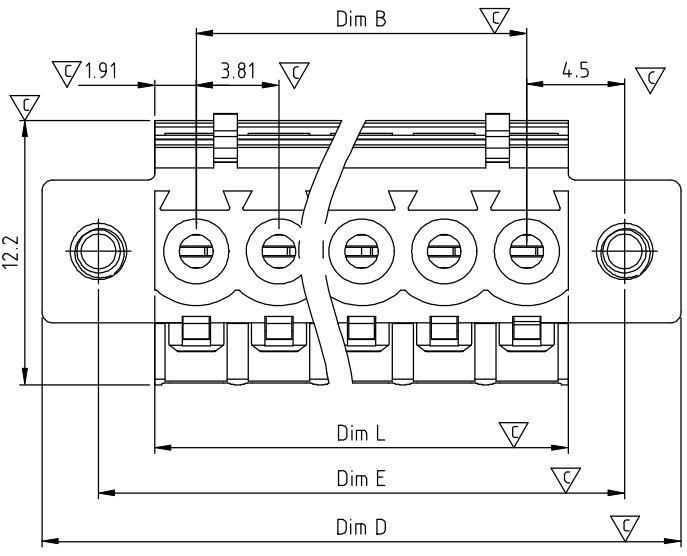
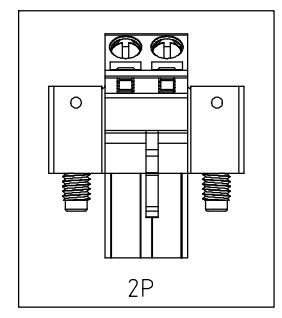
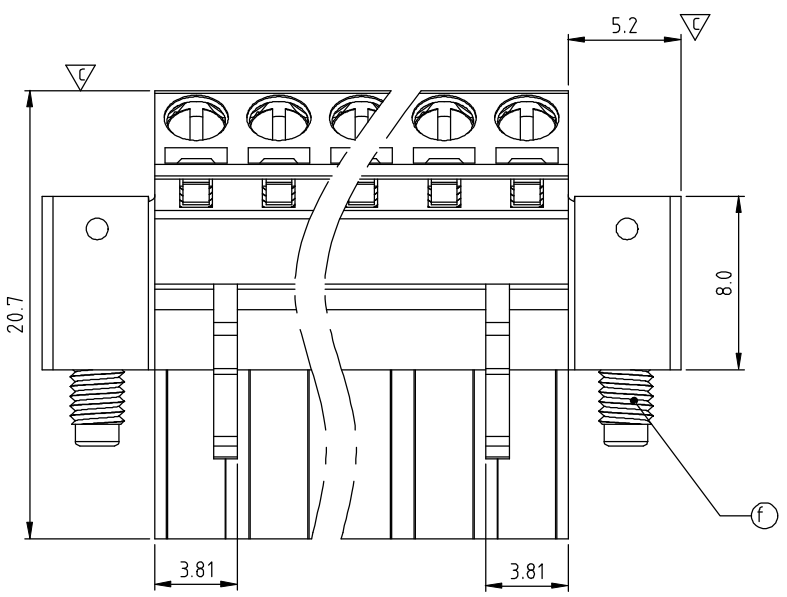


SIGN	DATE	DESCRIPTION	APPROVER
△	03/10 14	Added cULus standard	Chen Bo
THIS IS CAD DRAWING, DO NOT REVISE MANUALLY!!!			



- Material
- Item (a) Clamp: Brass(CuZn) Ni plated
  - Item (b) Terminal screw: Steel Zinc plating "-" slot type
  - Item (c) Female contact: PhBz ,Tin plated
  - Item (d) Terminal (up body): Thermoplastic (UL94V-0)
  - Item (e) Terminal (down body): Thermoplastic (UL94V-0)
  - Item (f) Flange screw: Steel Zinc plating "+/-" slot type

- Electrical cULus
- Voltage rating: 300VAC
  - Current rating: 8A
  - Wire range:
  - Solid wire(AWG): 16-28
  - Stranded wire(AWG): 16-28
  - Torque: 1.7 Lb-In
  - Screw: M2
  - Wire strip length: 8-9mm
  - Withstanding Voltage: 1.6KV
  - Operating temperature: -40°C to +115°C
  - Safety Approval: cULus
  - Critical dimension: ∇

**K8 xx 31 x 2 xxxx G**

- |                |                     |  |
|----------------|---------------------|--|
| Solid Block    |                     | G RoHS compliant (lead<4%)<br>In copper Alloy                          |
| 02 2 CONTACTS  |                     |  |
| 03 3 CONTACTS  |                     |  |
| ...            |                     |  |
| 24 24 CONTACTS | 0 Black (RAL9005)   | 0000: "@ " Logo  |
|                | 2 Red (RAL3001/D)   | 000A: "ANYTEK" Mark  |
|                | 3 Orange(RAL2011/P) | Any special item by customer request. please contact sales department. |
|                | 4 Yellow(RAL1018/A) |  |
|                | 5 Green(RAL6018/T)  |  |
|                | 6 Blue (RAL5015/A)  |  |
|                | 8 Grey(RAL7035/D)   |  |
|                | 9 White(RAL1102)    |  |
|                | C Green(RAL6018/U)  |  |

N = Number of contacts

DIMENSION  
 Dim L=N×3.81  
 Dim B=(N-1)×3.81  
 Dim D=N×3.81+10.4  
 Dim E=(N-1)×3.81+9.0

POLES	Dim L	Dim B & E & D
2p-6p	+0.10/-0.10	+0.10/-0.10
7p-12p	+0.10/-0.20	+0.20/-0.20
13p-18p	+0.10/-0.30	+0.30/-0.30
19p-24p	+0.10/-0.40	+0.40/-0.40

<b>ANYTEK</b>				<b>CUSTOMER COPY</b>			
ALL RIGHTS RESERVED. REPRODUCTION OR ISSUE TO THIRD PARTIES IN ANY FORM WHATSOEVER IS NOT PERMITTED WITHOUT WRITTEN AUTHORITY FROM THE PROPRIETOR. PROPERTY OF ANYTEK TECHNOLOGY CO., LTD							
TITLE		K8-3.81 Series 2P-24P With flange					
PART NO.		K8xx31x2xxxxG			DWG NO.		8K80002
APPROVED		DESIGNED	DRAWN	CUST NO.		Tolerance	
		Chen Bo 03/10`14	Chen Bo 10/25`12			X. ±0.50	
						UNIT: mm	
						SCALE: NONE	
				SHEET: 01/01		REV.: C	
						X.XX ±0.10	
						X° ±1°	