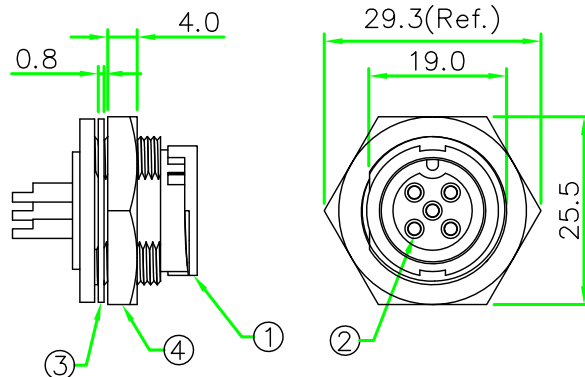
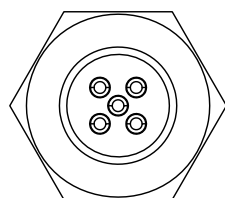
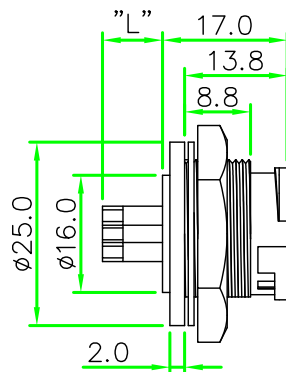


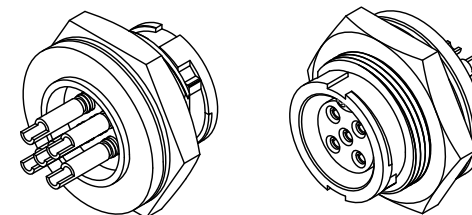
RECOMMENDED  
PANEL CUT OUT

**RoHS**  
**IP66~68**

P/N	L
CCG	8.5
CCP	8.5
CCD	6.5



REV.	DESCRIPTION	DATE
A	ISSUE	Apr/24/2015
A1	Correct "L" BOM	Jul/06/2015

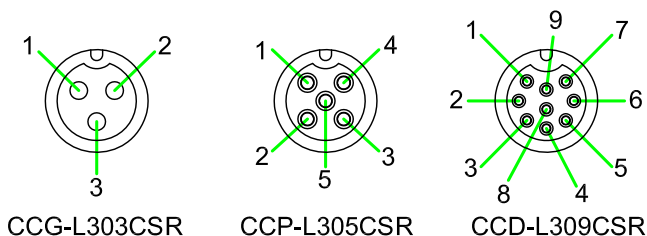


**NOTES:**

- ELECTRICAL CHARACTERISTICS:  
CURRENT RATING: 5A / 10A / 20A  
CONNECTOR TEMPERATURE RANGE: -25°C TO +85°C  
DIELECTRIC WITHSTANDING VOLTAGE:  
500V AC FOR ONE MINUTE
- PANEL THICKNESS MAX. 4.0 mm
- HOW TO ORDER: CCx-L3xxCSR

- 03 - 3 PIN
- 05 - 5 PIN
- 09 - 9 PIN

- G - CURRENT RATING 20A
- P - CURRENT RATING 10A
- D - CURRENT RATING 5A



PIN ASSIGNMENT FRONT VIEW  
(前視圖)

4	HEX NUT	Nylon + GF.	BLACK	1	
3	GASKET	EPDM.	BLACK	1	
2	CONTACT	Brass , 6 u" Gold Plated . Female Contact.		N	
1	CONNECTOR	C Size Male Connector Insert.NYLON+GF.	BLACK	1	
No.	PART NAME	DESCRIPTION	COLOR	Q'TY	REMARKS

**HOLIN**® HTP ASIA TECHNOLOGY CO., LTD.  
禾凌科技股份有限公司

	UNIT: mm	TITLE :	Circular C Size Male Connector Female Pin Rear Mount Lock Type Round Flange Solder Bucket Pin	
SCALE	1:1	P/N:	CCx-L3xxCSR	DR. Patty
UNLESS OTHERWISE SPECIFIED TOLERANCES: .x ± 0.5 .xx ± 0.25 .xxx ± 0.1 ANGLE ± 1'		DWG.NO:	CCx-L3xxCSR	CH. ERIC
REV.	A1	SHEET	1/1	AP.