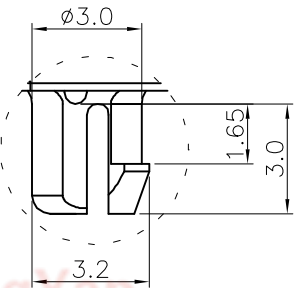
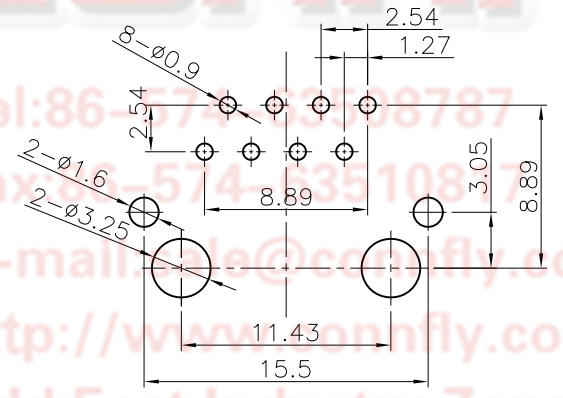
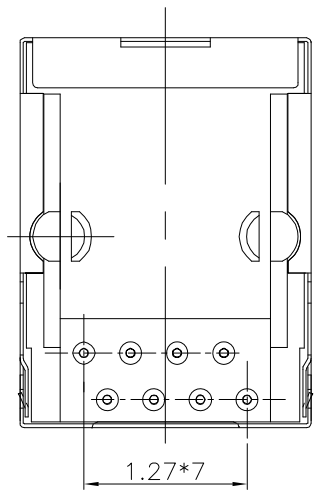
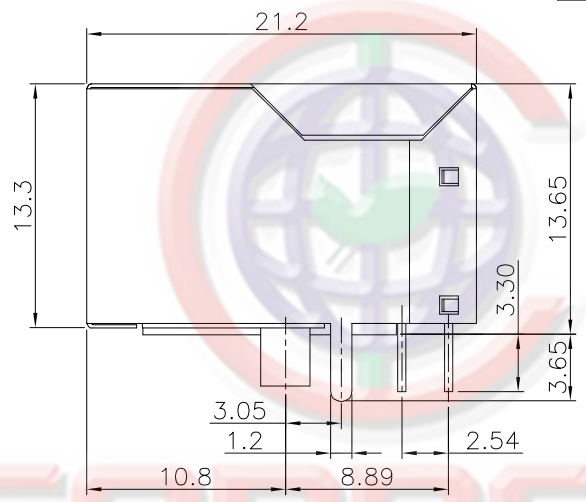
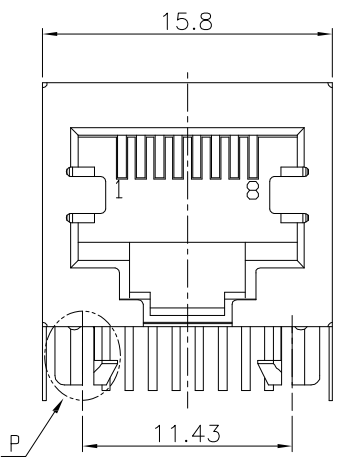


Dept
 Qty
 DC 1
 ED 1
 IE 1
 ISO 1
 PD 1
 R&D 1
 SD 1
 QA 1
 QC 1
 QF 1
 The information provided herein is from CONNELY Electronic Co., Ltd. and is confidential. Any disclosure to a party other than the recipient is prohibited. The intellectual properties and its rights contained herein, including but not limited to, trademarks, patents, copyrights, trade secrets, and technical know-how, are owned exclusively by CONNELY or its affiliates. Unauthorized use of any part of this document in any format or manner. CONNELY may enforce its intellectual property rights at its own discretion; failures or delays to exercise such rights does not constitute a waiver of such rights.

REV.	DESCRIPTION	DRAWN	CHECKED	APPROVED
A	NEW RELEASE	YCH 11/03/09'		LJC 11/03/09'
B	DRAWING UPDATE	JLZ 07/06/18'		



P 2:1

SPECIFICATION

1. Insulation Resistance:1000MΩ Min.
2. Withstand Voltage:500V,AC/Minute.
3. Durability:600 Cycles Min.
4. Product Number Code:

DS1128-02-X X X X

- Housing Color
B:Black
- Contact Plating
0:Gold Flash
3:Selective 3u" Gold
(6;15;30)Micro Inch
- No.Of Contacts
4:8p4c 6:8p6c 8:8p8c
- Connector Type
S:Socket
- Series No.
DS1128-02

Tel:86-574-83538787
 Fax:86-574-83510877
 E-mail: info@connely.com
 http://www.connely.com
 Add:East Industry Zone Kung Yan
 Town Cixi Ningbo China
 P.C:315333

GENERAL TOLERANCE		ANGLE TOLERANCE	
X.	±0.60	X.	±5°
.X	±0.38	.X	±3°
.XX	±0.25	.XX	±2°

PROJECTION	TITLE
	PCB JACK 8P 1PORT
UNITS	mm
SHEET SIZE	A4
SERIES	DS1128-02 SERIES

DRAWING TYPE	CUSTOMER
SCALE	1:1 SHEET 1 OF 1
DRAWING NO.	C-DS1128-02-XXXXX-B

晨翔电子有限公司
CONNELY CONNELY ELECTRONIC CO. LTD