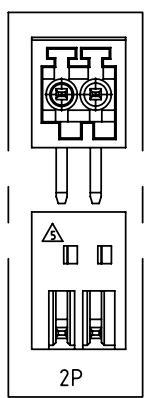
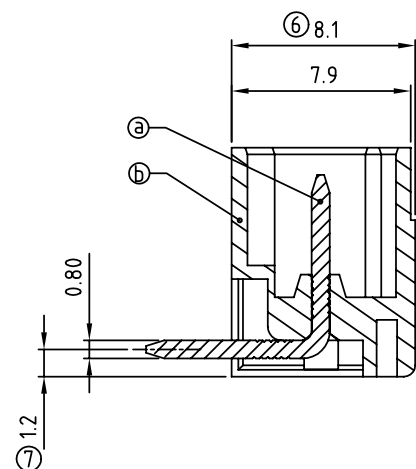


PCB Layout



SIGN	DATE	DESCRIPTION	APPROVER
△	09.05.25	The voltage rating and withstanding Voltage are changed	Jacke
△	09.05.25	The Operating temperature is changed	Jacke
△	09.05.25	Add UL standard	Jacke
△	2010.03.11	Add the 2p mark	Jacke
△	2010.09.01	The design is changed	Jacke

THIS IS CAD DRAWING, DO NOT REVISE MANUALLY!!!

Material:

- Item ① Male contact pin: Copper Tin plated
- Item ② Terminal(housing): Thermoplastic (UL94V-0)

Electrical: cULus

- △ ● Voltage rating: 150V
- Current rating: 4A
- △ ● Withstanding Voltage: 1.3KV
- △ ● Operating temperature: -40°C to +115°C
- Soldering temperature: 250°C±10°C/5 Sec
- △ ● Safety Approval:

OQ xx B 1 x 1 xxxx G

No. OF POLES
02: 2 POLES
:
24: 24 POLES

Color
0 Black (RAL9005)
2 Red (RAL3001/D)
3 Orange(RAL2011/P)
4 Yellow(RAL1018/A)
5 Green(RAL6018/T)
6 Blue (RAL5015/A)
8 Grey(RAL7035/D)

G: Pb<40000ppm
0000: "@ " Logo (Standard)
000A: "ANYTEK" Mark
Any special item by customer request. please contact sales department.

POLE		2	3	4	5	6	7	8	9	10	11	12	
A		6.90	9.40	11.90	14.40	16.90	19.40	21.90	24.40	26.90	29.40	31.90	
B		2.50	5.00	7.50	10.00	12.50	15.00	17.50	20.00	22.50	25.00	27.50	
Tol.		±0.10					±0.15						
POLE		13	14	15	16	17	18	19	20	21	22	23	24
A		34.40	36.90	39.40	41.90	44.40	46.90	49.40	51.90	54.40	56.90	59.40	61.90
B		30.00	32.50	35.00	37.50	40.00	42.50	45.00	47.50	50.00	52.50	55.00	57.50
Tol.		±0.20					±0.30						

ANYTEK				CUSTOMER COPY			
ALL RIGHTS RESERVED. REPRODUCTION OR ISSUE TO THIRD PARTIES IN ANY FORM WHATSOEVER IS NOT PERMITTED WITHOUT WRITTEN AUTHORITY FROM THE PROPRIETOR. PROPERTY OF ANYTEK TECHNOLOGY CO., LTD							
TITLE	OQ 2.5mm 90° Series						
PART NO.	OQxxB1x1xxxxG			DWG NO.	80Q0901		
APPROVED	CHECKED	DESIGNED	DRAWN	CUST NO.	Tolerance		
		Jacke 2010.09.01	Jacke 2009.05.25		UNIT: mm	X.	±0.50
					SCALE: NONE	X.X	±0.30
				SHEET: 01/01	REV.: E	X.XX	±0.10
						X°	±1°