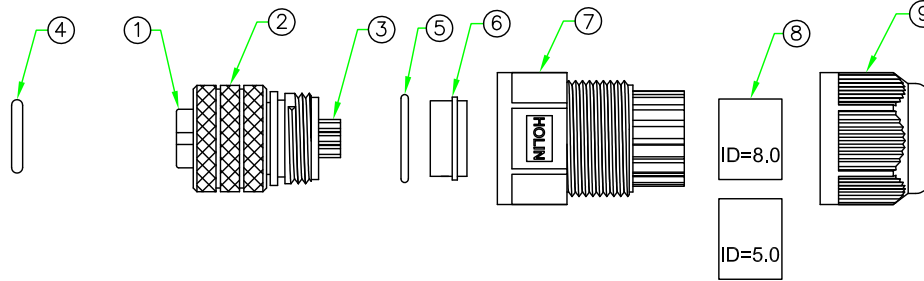
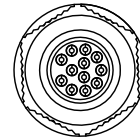
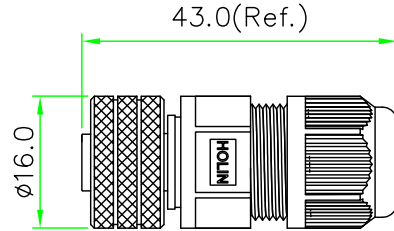
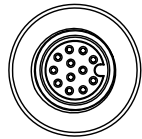
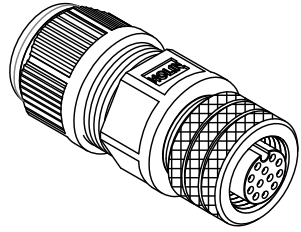


RoHS

IP66~68



NOTES:

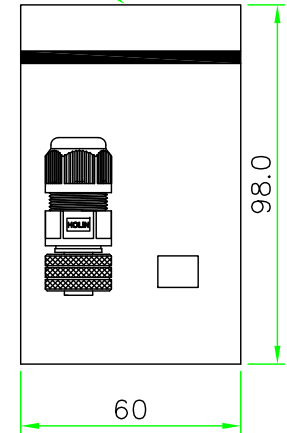
- ELECTRICAL CHARACTERISTICS:  
CURRENT RATING: 1.5A / 2A / 4A  
TEMPERATURE RANGE: -20°C TO +80°C  
DIELECTRIC WITHSTANDING VOLTAGE:  
500V AC FOR ONE MINUTE

2. HOW TO ORDER: A12x-M2xxSA

- |            |            |
|------------|------------|
| 02 - 2 PIN | 08 - 8 PIN |
| 03 - 3 PIN | 09 - 9 PIN |
| 04 - 4 PIN | 10 - 10PIN |
| 05 - 5 PIN | 11 - 11PIN |
| 06 - 6 PIN | 12 - 12PIN |
| 07 - 7 PIN |            |

- I - CURRENT RATING 1.5A  
N - CURRENT RATING 2A  
D - CURRENT RATING 4A

#2 Zipper PE Bag.



A12D-M202SA A12D-M203SA A12D-M204SA A12D-M205SA A12N-M206SA A12N-M207SA A12N-M208SA A12I-M209SA A12I-M210SA A12I-M211SA A12I-M212SA

Pin Assignment Front View  
(前視圖)

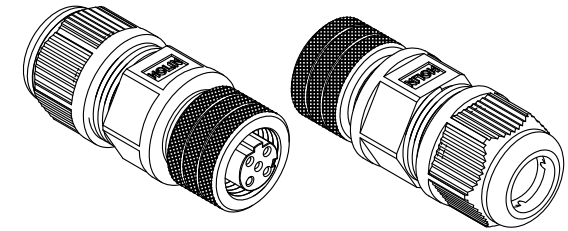
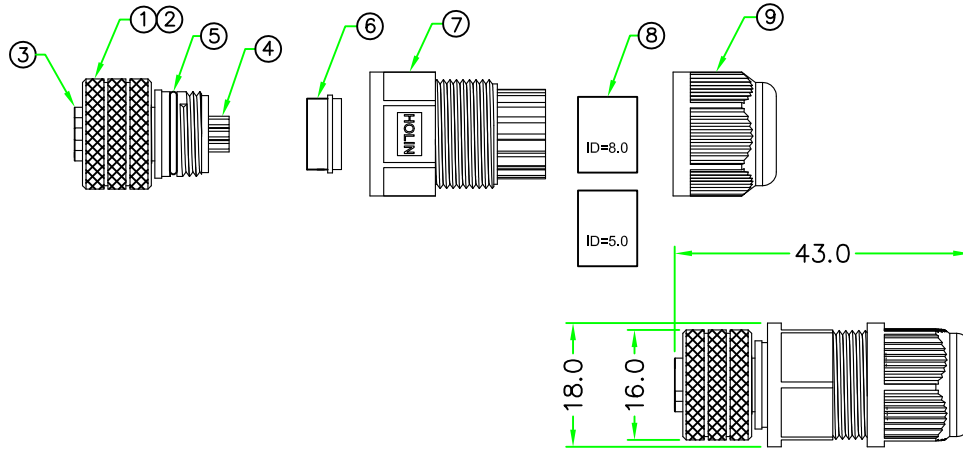
9	CLAMP NUT	NYLON+GF.	BLACK	1	
8	TUBE	RUBBER (ID=5.0 & 8.0mm)	BLACK	2	
7	HOOD	NYLON.	BLACK	1	
6	GASKET	RUBBER.	BLACK	1	
5	O-RING	NBR.	BLACK	1	
4	O-RING	VITON.	BLACK	1	
3	CONTACT	BRASS, Female Pin. 6u" Gold Plated.		N	
2	RING NUT	BRASS, Nickel Plated.		1	
1	CONNECTOR	M12 A-Coding Female Connector Insert. NYLON+GF.	BLACK	1	
No.	PART NAME	DESCRIPTION	COLOR	Q'TY	REMARKS

REV.	DESCRIPTION	DATE
A	ISSUE	Jul/17/2008
A1	Add 9~12 PIN	Sep/09/2015

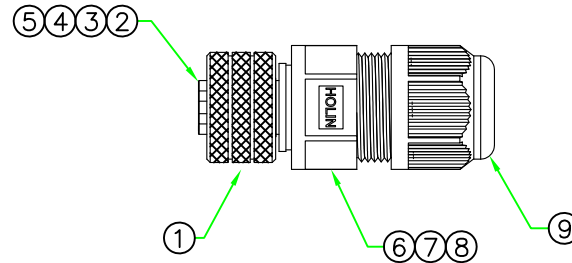
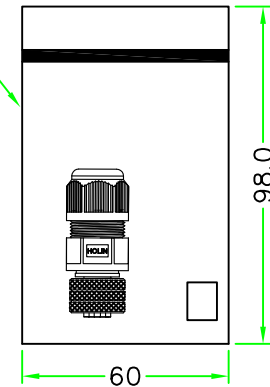
**HOLIN**® HTP ASIA TECHNOLOGY CO., LTD.  
禾凌科技股份有限公司

	UNIT: mm	TITLE : M12 A-Coding Female Connector Female Pin Field Installable Plug
	SCALE 1:1	
UNLESS OTHERWISE SPECIFIED TOLERANCES: .X ± 0.5 .XX ± 0.25 .XXX ± 0.1 ANGLE ± 1'		P/N: A12x-M2xxSA DR. Patty CH. ERIC
REV. A1	SHEET 1/1	

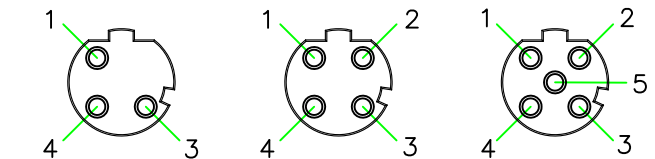
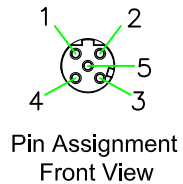
REV.	DESCRIPTION	DATE
A	ISSUE	Jan/12/2012
A1	Correct pin P/N & part material.	Oct/15/2013



#2 Zipper PE Bag.



RoHS



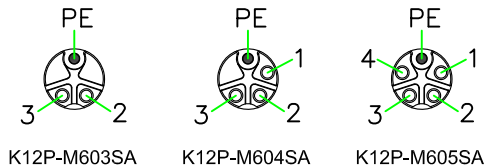
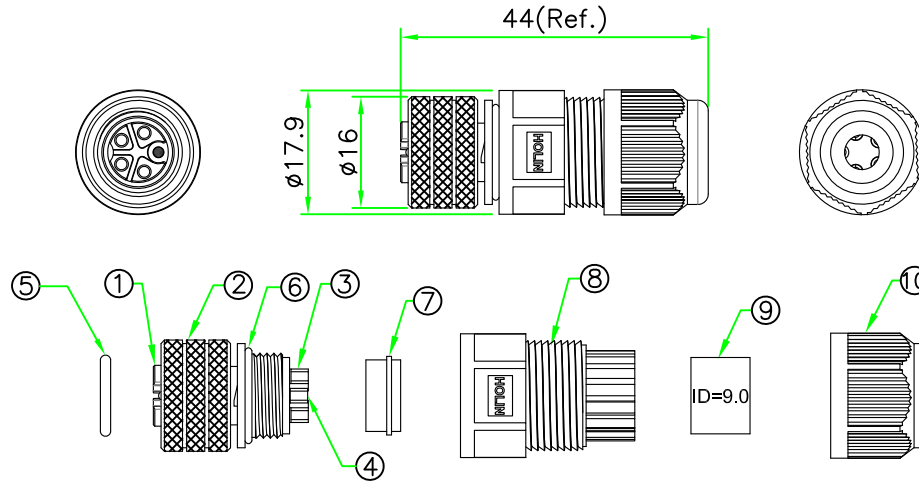
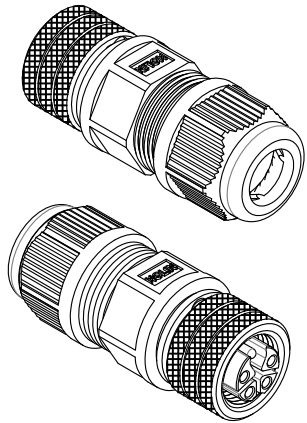
D12D-M203SA D12D-M204SA D12D-M205SA

Pin Assignment Front View

9	CLAMP NUT	NYLON.	BLACK	1	70-135
8	SEAL	RUBBER (ID=5.0 & 8.0mm)	BLACK	2	71-135
7	BACK SHELL	NYLON.	BLACK	1	69-135
6	GASKET	RUBBER.	BLACK	1	71-135
5	O-RING	NBR.	BLACK	1	CBS-O-N
4	CONTACT	BRASS , FEMALE PIN. 6u" GOLD PLATED.		N	M12F-1.0SPL20.5
3	CONNECTOR	M12 D-Coding FEMALE INSERT, NYLON+GF.	BLACK	1	M12D-AFxx (20-135-N7-1)
2	O-RING	VITON.	BLACK	1	M12-O-VK
1	SCREW NUT	BRASS , NICKEL PLATED.		1	M12F-ASN16D
No.	PART NAME	DESCRIPTION	COLOR	Q'TY	REMARKS

<p><b>HOLIN</b>® HTP ASIA TECHNOLOGY CO., LTD. 禾凌科技股份有限公司</p>	
<p>UNIT: mm</p> <p>SCALE 1:1</p> <p>UNLESS OTHERWISE SPECIFIED TOLERANCES: x ±0.25 xx ±0.1 xxx ±0.05 ANGLE ±1°X</p>	<p>TITLE : M12 D-Coding Female Field Installable Plug</p>
<p>REV. A1</p> <p>SHEET 1/1</p>	<p>P/N: D12D-M2xxSA</p> <p>DWG.NO: D12D-M2xxSA</p>
	<p>DR. jaek</p> <p>CH. м.е.н.а.е.л.</p> <p>AP.</p>

**RoHS**  
**IP67**



Pin Assignment Front View(前視圖)

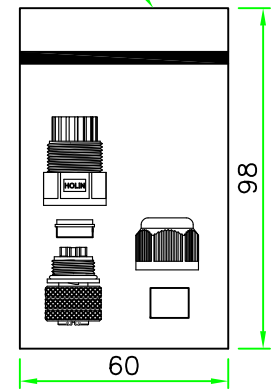
REV.	DESCRIPTION	DATE
A	ISSUE	May/19/2020

NOTES:

- ELECTRICAL CHARACTERISTICS:  
CURRENT RATING: 12A.  
VOLTAGE RATING : 800V ac or dc.  
CONNECTOR TEMPERATURE RANGE: -25°C TO +85°C  
DIELECTRIC WITHSTANDING VOLTAGE:  
500V AC FOR ONE MINUTE
- HOW TO ORDER: K12P-M2xxSA

- 03 - 2 PINS + PE
- 04 - 3 PINS + PE
- 05 - 4 PINS + PE

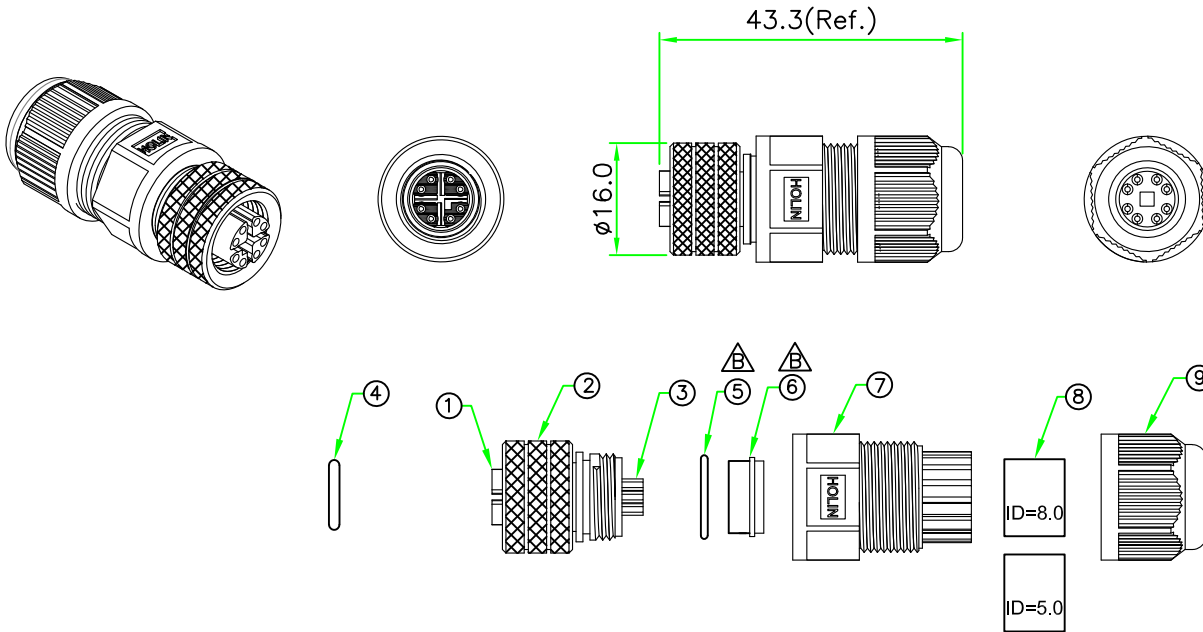
Packing:  
#2 Zipper PE Bag.



10	CLAMP NUT	NYLON+GF.	BLACK	1	
9	TUBE	EPDM. (ID=9.0mm)	BLACK	1	
8	HOOD	NYLON.	BLACK	1	
7	GASKET	SILICON.	BLACK	1	
6	O-RING	NBR.	BLACK	1	
5	O-RING	VITON.	BLACK	1	
4	CONTACT	BRASS, Male Pin. 6u" Gold Plated.		1	
3	CONTACT	BRASS, Female Pin. 6u" Gold Plated.		4	
2	RING NUT	BRASS, Nickel Plated.		1	
1	CONNECTOR	M12 K-Coding Female Connector Insert. Nylon+GF.	BLACK	1	
No.	PART NAME	DESCRIPTION	COLOR	Q'TY	REMARKS

		UNIT: mm	<b>HOLIN® HTP ASIA TECHNOLOGY CO., LTD.</b> 禾凌科技股份有限公司 TITLE : M12 K-Coding Female Connector Female Pin + Male Pin With Solder Bucket Field Installable Plug	
		SCALE 1:1		
UNLESS OTHERWISE SPECIFIED TOLERANCES: .X ± 0.5 .XX ± 0.25 .XXX ± 0.1 ANGLE ± 1°		P/N:	K12P-M6xxSA	DR. JAMES
REV. A		SHEET 1/1	DWG.NO:	K12P-M6xxSA
				CH. ERIC
				AP.

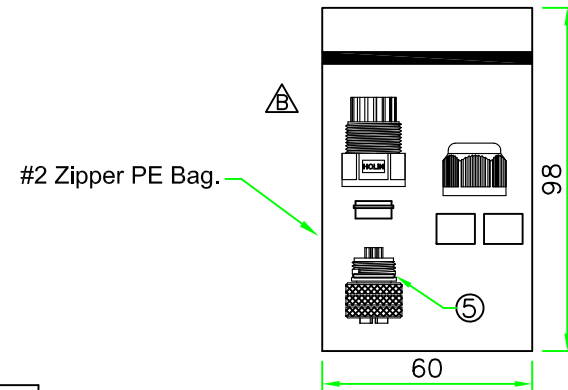
RoHS  
IP66~68



REV.	DESCRIPTION	DATE
A	ISSUE	Nov/12/2014
B	Change O-Ring & Correct Part List.	Dec/04/2019

NOTES:

- ELECTRICAL CHARACTERISTICS:
  - CURRENT RATING: 0.5A
  - CONNECTOR TEMPERATURE RANGE: -40°C TO +105°C
  - DIELECTRIC WITHSTANDING VOLTAGE: 500V AC FOR ONE MINUTE



9	CLAMP NUT	Nylon+GF.	BLACK	1	
8	TUBE	EPDM (ID=5.0 & 8.0mm) $\triangle$	BLACK	2	
7	HOOD	Nylon.	BLACK	1	
6	GASKET	Silicon. $\triangle$	BLACK	1	
5	O-RING	EPDM. $\triangle$	BLACK	1	
4	O-RING	Viton.	BLACK	1	
3	CONTACT	Brass, Female Pin. 6u" Gold Plated.		8	
2	RING NUT	Brass. Nickel Plated.		1	
1	CONNECTOR	M12 X-Coding Female Connector Insert. Nylon+GF.	BLACK	1	
No.	PART NAME	DESCRIPTION	COLOR	Q'TY	REMARKS

UNLESS OTHERWISE SPECIFIED TOLERANCES:		TITLE :	P/N:	DR.
.x	$\pm 0.5$			
.xx	$\pm 0.25$	SCALE	1:1	CH.
.xxx	$\pm 0.1$	ANGLE	$\pm 1^\circ$	JAMES
REV.	SHEET	DWG.NO:	X12I-M208SA	AP.
B	1/1			