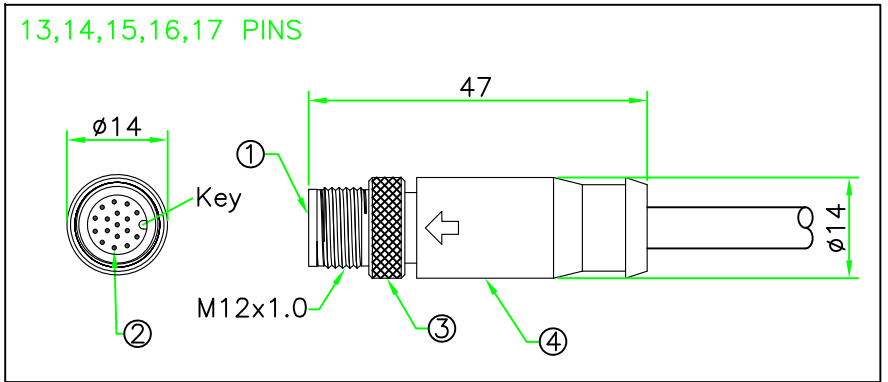
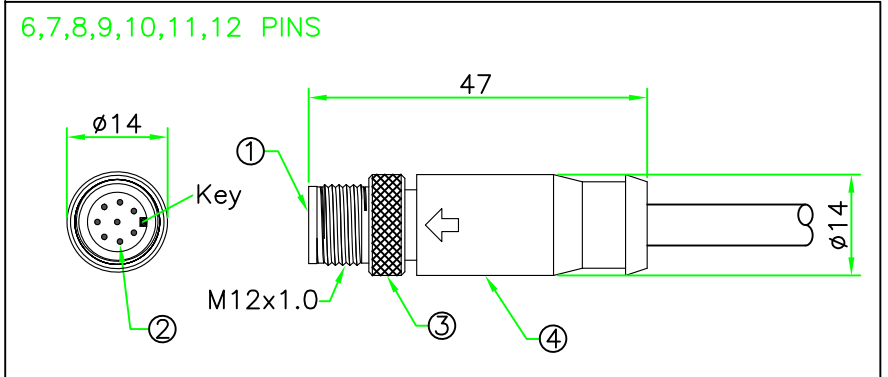
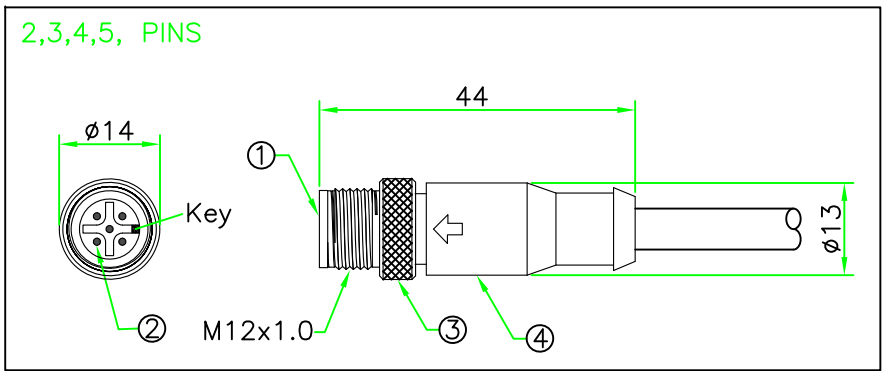


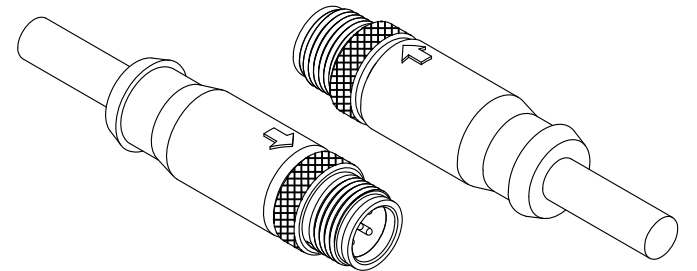
RoHS

IP66-68



*Cable specification and length can be customized.
 *Pin Assignment Next Page.

REV.	DESCRIPTION	DATE
A	ISSUE	Dec/22/2009
A1	Add Item	May/11/2015
A2	Add 13~17Pin.	Nov/19/2018



NOTES:

- ELECTRICAL CHARACTERISTICS:
 CURRENT RATING: 1.5A / 2A / 4A
 TEMPERATURE RANGE: -20°C TO +80°C
 DIELECTRIC WITHSTANDING VOLTAGE:
 500V AC FOR ONE MINUTE

2. HOW TO ORDER: A12x-M1xxSN

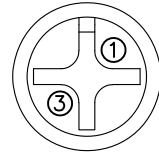
	△ A2	
02 - 2 PINS	08 - 8 PINS	14 - 14 PINS
03 - 3 PINS	09 - 9 PINS	15 - 15 PINS
04 - 4 PINS	10 - 10 PINS	16 - 16 PINS
05 - 5 PINS	11 - 11 PINS	17 - 17 PINS
06 - 6 PINS	12 - 12 PINS	
07 - 7 PINS	13 - 13 PINS	
I - CURRENT RATING 1.5A N - CURRENT RATING 2A D - CURRENT RATING 4A		

No.	PART NAME	DESCRIPTION	COLOR	Q'TY	REMARKS
4	OVERMOLD	PU or PVC.	BLACK	1	
3	RING NUT	Brass, Nickel Plated.		1	
2	CONTACT	Brass , 6 u" Gold Plated. Male Contact.		N	
1	CONNECTOR	M12 A-Coding Male Connector Insert. Nylon+GF.	BLACK	1	

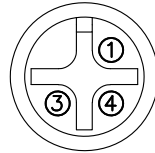
HOLIN® HTP ASIA TECHNOLOGY CO., LTD. 禾凌科技股份有限公司			
	UNIT:mm	TITLE	M12 A-Coding Male Molded Cable Ass'y
SCALE	1:1	P/N:	A12x-M1xxSN
UNLESS OTHERWISE SPECIFIED TOLERANCES: .x ± 0.5 .xx ± 0.25 .xxx ± 0.1 ANGLE ± 1°		DR.	SIBYL
REV.	SHEET	CH.	ERIC
A2	1/2	DWG.NO:	A12x-M1xxSN
		AP.	

REV.	DESCRIPTION	DATE
A	ISSUE	Dec/22/2009
A1	Add Item	May/11/2015
A2	Add 13~17Pin Pin Assignment.	Nov/19/2018

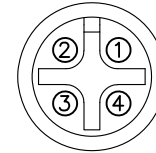
A2



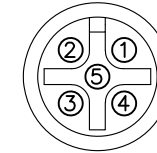
A12D-M102SN



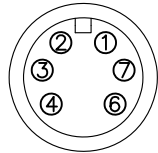
A12D-M103SN



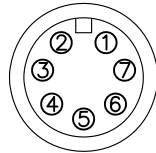
A12D-M104SN



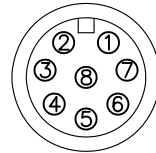
A12D-M105SN



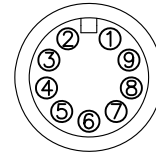
A12N-M106SN



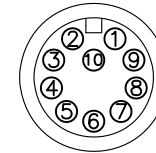
A12N-M107SN



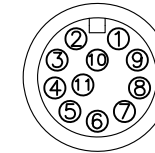
A12N-M108SN



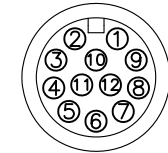
A12I-M109SN



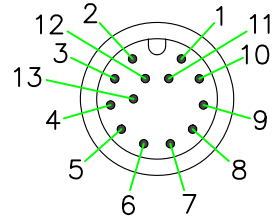
A12I-M110SN



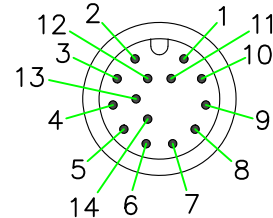
A12I-M111SN



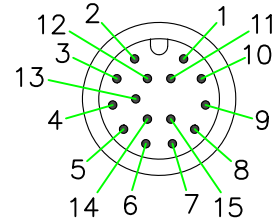
A12I-M112SN



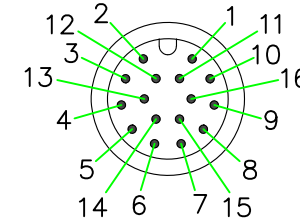
A12I-M113SN



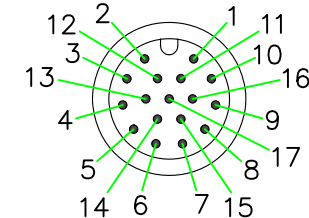
A12I-M114SN



A12I-M115SN



A12I-M116SN



A12I-M117SN

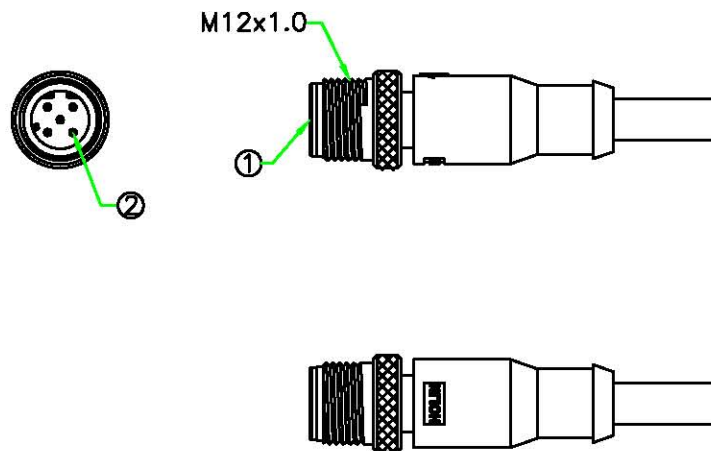
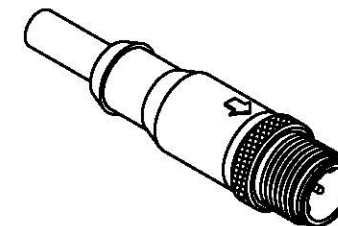
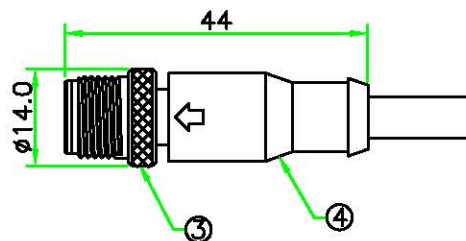
PIN ASSIGNMENT FRONT VIEW
(前視圖)

HOLIN[®] HTP ASIA TECHNOLOGY CO., LTD. 禾凌科技股份有限公司			
	UNIT:mm	TITLE M12 A-Coding Male Molded Cable Ass'y	
SCALE	2:1		
UNLESS OTHERWISE SPECIFIED TOLERANCES: .x ± 0.5 .xx ± 0.25 .xxx ± 0.1 ANGLE ± 1°		P/N: A12x-M1xxSN	DR. SIBYL
REV. A2	SHEET 2/2	DWG.NO: A12x-M1xxSN	CH. ERIC
			AP.

RoHS

IP66-68

REV.	DESCRIPTION	DATE
A	ISSUE	Jul/21/2015



NOTES:

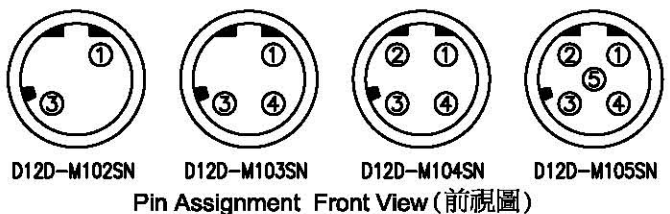
1. ELECTRICAL CHARACTERISTICS:

- CURRENT RATING: 4A
- TEMPERATURE RANGE: -20°C TO +80°C
- DIELECTRIC WITHSTANDING VOLTAGE: 500V AC FOR ONE MINUTE

2. HOW TO ORDER: D12D-M1xxSN

- 02 - 2 PIN
- 03 - 3 PIN
- 04 - 4 PIN
- 05 - 5 PIN

※Cable specification and length can be customized.



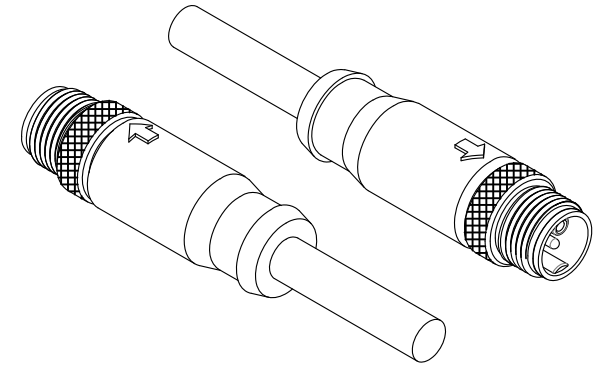
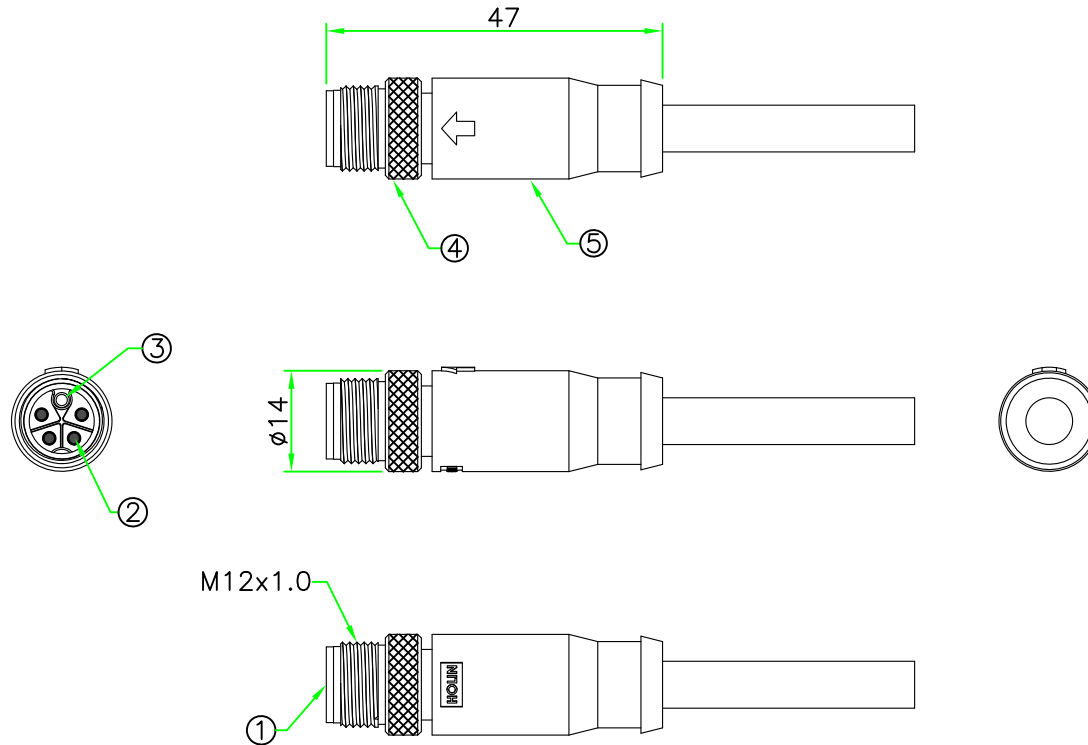
No.	PART NAME	DESCRIPTION	COLOR	Q'TY	REMARKS
4	OVERMOLD	PU or PVC.	BLACK		
3	RING NUT	BRASS, Nickel Plated.		1	
2	CONTACT	BRASS, 6 u" Gold Plated. Male Contact.		N	
1	CONNECTOR	M12 D-Coding Male Connector Insert. NYLON+GF.	BLACK	1	

HOLIN® HTP ASIA TECHNOLOGY CO., LTD. 禾凌科技股份有限公司		TITLE	M12 D-Coding Male Connector Molded Cable Ass'y	
UNIT: mm	SCALE	1:1	P/N:	D12D-M1xxSN
UNLESS OTHERWISE SPECIFIED TOLERANCES:	X ± 0.5	XX ± 0.25	DR.	Patty
XXX ± 0.1	ANGLE ± 1°		CH.	ERIC
REV. A	SHEET 1/1	DWG.NO:	D12D-M1xxSN	AP.

RoHS

IP66-68

REV.	DESCRIPTION	DATE
A	ISSUE	Oct/15/2018

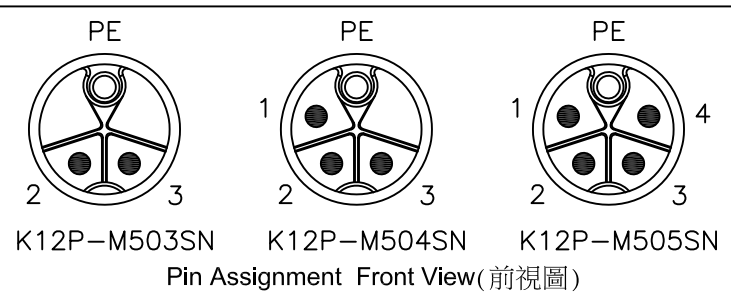


NOTES:

- ELECTRICAL CHARACTERISTICS:
CURRENT RATING: 12A
- HOW TO ORDER: K12P-M5xxSN

03 - 3 PIN
04 - 4 PIN
05 - 5 PIN

*Cable specification and length can be customized.



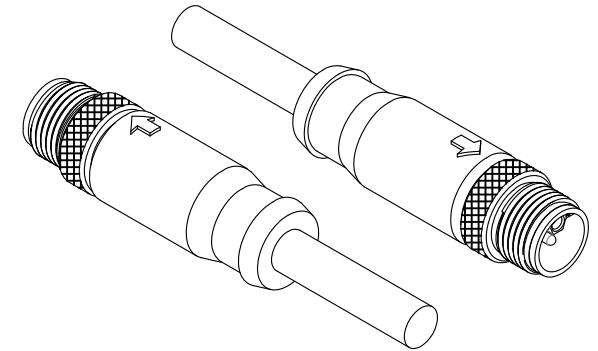
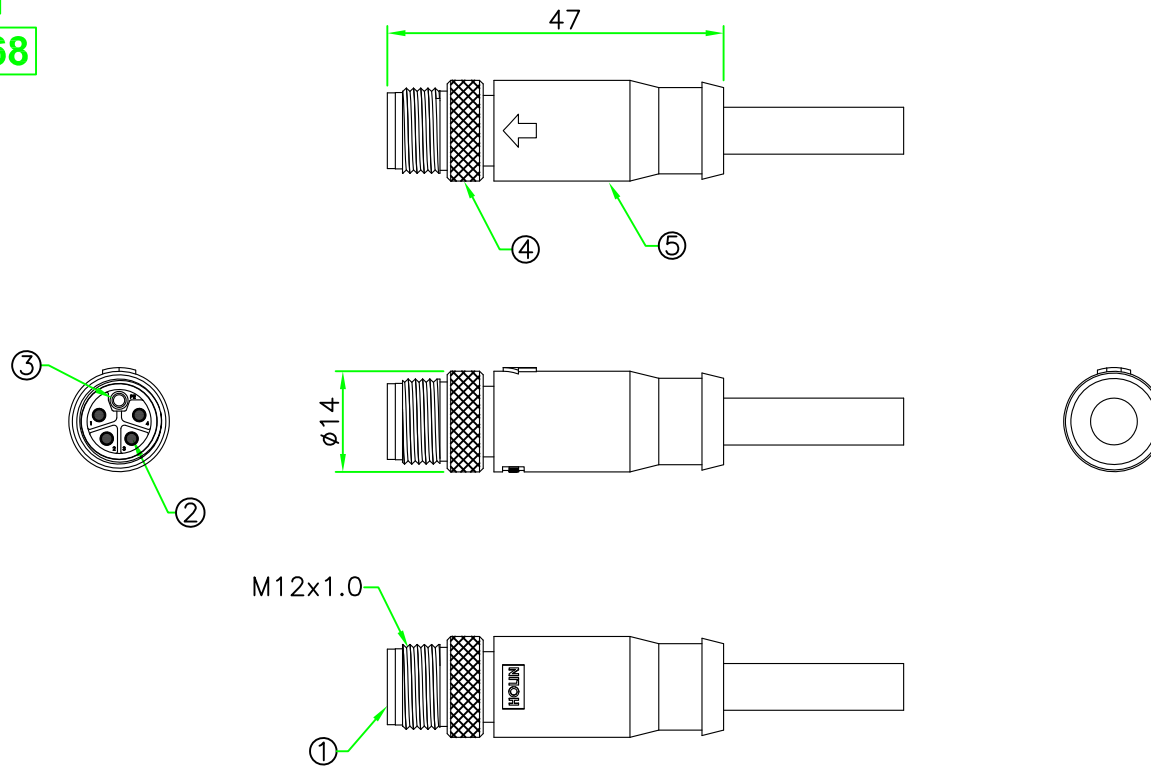
HOLIN® HTP ASIA TECHNOLOGY CO., LTD.
禾凌科技股份有限公司

No.	PART NAME	DESCRIPTION	COLOR	Q'TY	REMARKS	UNIT: mm	TITLE :	DR.
5	OVERMOLD	PU or PVC.	BLACK	1		SCALE 1:1	M12 K-Coding Male Connector Molded Cable Ass'y	SIBYL
4	RING NUT	Brass, Nickel Plated.		1	M12D-MC-SN(A3)	UNLESS OTHERWISE SPECIFIED TOLERANCES: X ± 0.5 XX ± 0.25 XXX ± 0.1 ANGLE ± 1'	P/N: K12P-M5xxSN	CH. ERIC
3	CONTACT	Brass , 6 u" Gold Plated .Female Contact.		1	PF1.5SL18.6-01(A)	REV. A SHEET 1/1	DWG.NO: K12P-M5xxSN	AP.
2	CONTACT	Brass , 6 u" Gold Plated .Male Contact.		N	PM1.5SL18.45-01(A)			
1	CONNECTOR	M12 K-Coding Male Connector Insert. Nylon+GF.	BLACK	1				

RoHS

IP66-68

REV.	DESCRIPTION	DATE
A	ISSUE	Oct/15/2018

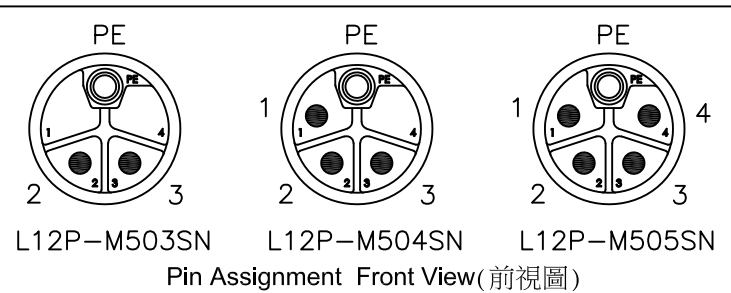


NOTES:

- ELECTRICAL CHARACTERISTICS:
CURRENT RATING: 12A
- HOW TO ORDER: L12P-M5xxSN

03 - 3 PIN
04 - 4 PIN
05 - 5 PIN

*Cable specification and length can be customized.



No.	PART NAME	DESCRIPTION	COLOR	Q'TY	REMARKS
5	OVERMOLD	PU or PVC.	BLACK	1	
4	RING NUT	Brass, Nickel Plated.		1	M12D-MC-SN(A3)
3	CONTACT	Brass , 6 u" Gold Plated. Female Contact.		1	PF1.5SL18.6-01(A)
2	CONTACT	Brass , 6 u" Gold Plated. Male Contact.		N	PM1.5SL18.45-01(A)
1	CONNECTOR	M12 L-Coding Male Connector Insert. Nylon+GF.	BLACK	1	

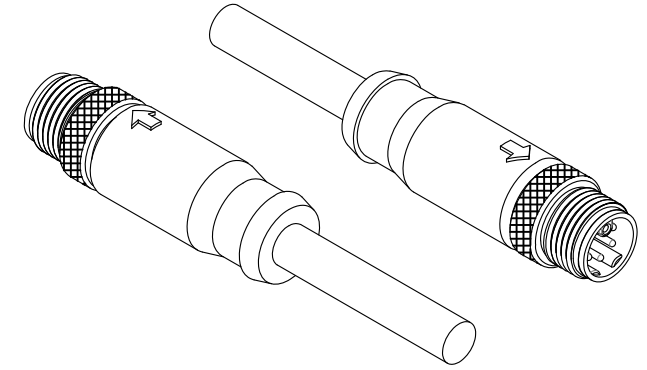
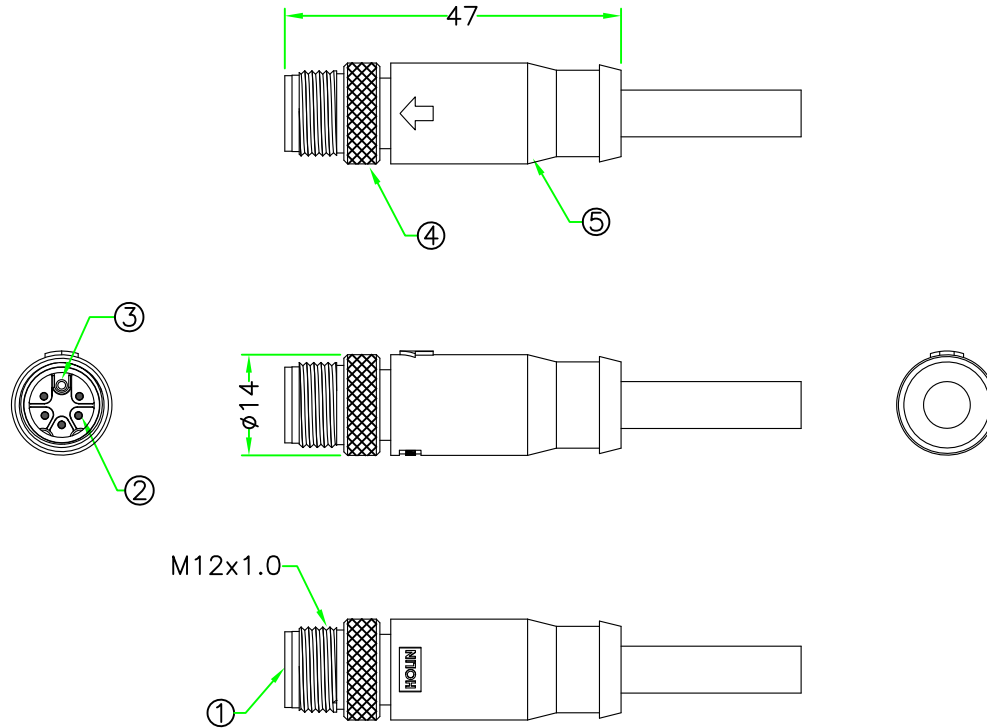
		UNIT: mm	TITLE : M12 L-Coding Male Connector Molded Cable Ass'y	
		SCALE 1:1	P/N: L12P-M5xxSN	
UNLESS OTHERWISE SPECIFIED TOLERANCES: X ± 0.5 XX ± 0.25 XXX ± 0.1 ANGLE ± 1°		REV. A	SHEET 1/1	DR. SIBYL CH. ERIC AP.
		DWG.NO: L12P-M5xxSN		

HOLIN® HTP ASIA TECHNOLOGY CO., LTD.
禾凌科技股份有限公司

RoHS

IP66-68

REV.	DESCRIPTION	DATE
A	ISSUE	Oct/15/2018

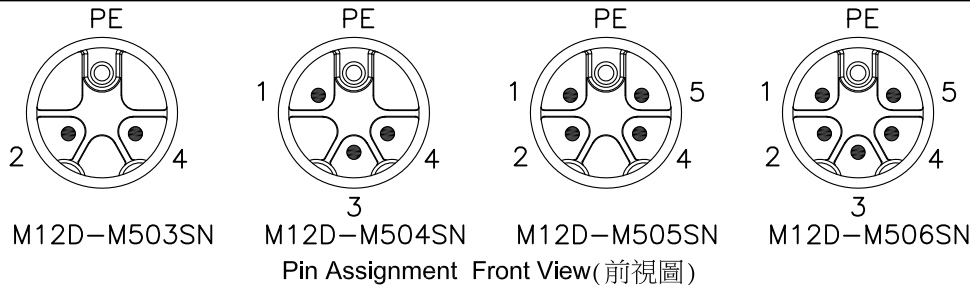


NOTES:

1. ELECTRICAL CHARACTERISTICS:
CURRENT RATING: 8A
2. HOW TO ORDER: M12D-M5xxSN

- 03 - 3 PIN
- 04 - 4 PIN
- 05 - 5 PIN
- 06 - 6 PIN

*Cable specification and length can be customized.



Pin Assignment Front View(前視圖)

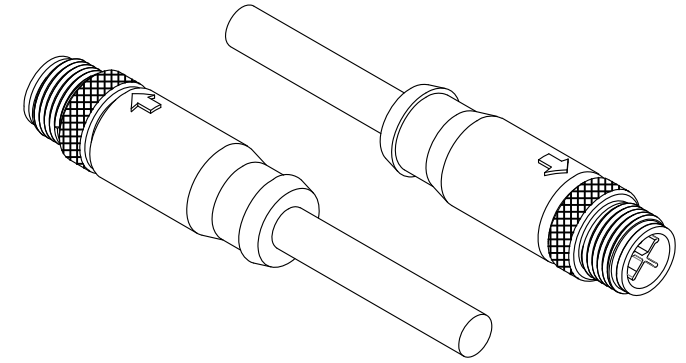
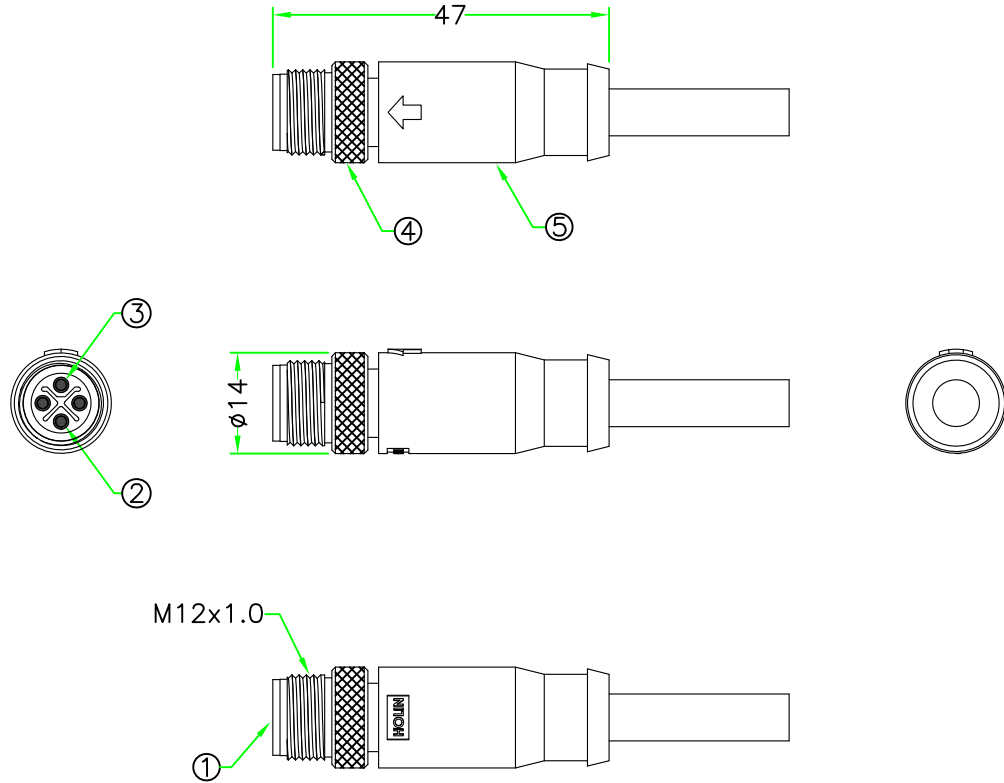
No.	PART NAME	DESCRIPTION	COLOR	Q'TY	REMARKS
5	OVERMOLD	PU or PVC.	BLACK	1	
4	RING NUT	Brass, Nickel Plated.		1	M12D-MC-SN(A3)
3	CONTACT	Brass , 6 u" Gold Plated. Female Contact.		1	M12F-1.0SPL20.5(A1)
2	CONTACT	Brass , 6 u" Gold Plated. Male Contact.		N	M12M-1.0SPL22(B)
1	CONNECTOR	M12 M-Coding Male Connector Insert. Nylon+GF.	BLACK	1	

		HOLIN® HTP ASIA TECHNOLOGY CO., LTD. 禾凌科技股份有限公司	
	UNIT: mm	TITLE : M12 M-Coding Male Connector Molded Cable Ass'y	
SCALE	1:1	P/N: M12D-M5xxSN	DR. SIBYL
UNLESS OTHERWISE SPECIFIED TOLERANCES: X ± 0.5 XX ± 0.25 XXX ± 0.1 ANGLE ± 1°			CH. ERIC
REV. A	SHEET 1/1	DWG.NO: M12D-M5xxSN	AP.

RoHS

IP66-68

REV.	DESCRIPTION	DATE
A	ISSUE	Oct/15/2018



NOTES:

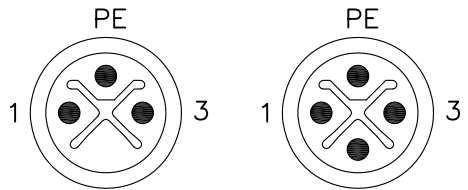
1. ELECTRICAL CHARACTERISTICS:

CURRENT RATING: 12A

2. HOW TO ORDER: S12P-M1xxSN

03 - 3 PIN
04 - 4 PIN

*Cable specification and length can be customized.



S12P-M103SN S12P-M104SN
Pin Assignment Front View(前視圖)

No.	PART NAME	DESCRIPTION	COLOR	Q'TY	REMARKS
5	OVERMOLD	PU or PVC.	BLACK	1	
4	RING NUT	Brass, Nickel Plated.		1	M12D-MC-SN(A3)
3	CONTACT	Brass , 6 u" Gold Plated .Male Contact.		1	PM1.5SL21.5-01(A)
2	CONTACT	Brass , 6 u" Gold Plated .Male Contact.		N	PM1.5SL21-01(A)
1	CONNECTOR	M12 S-Coding Male Connector Insert. Nylon+GF.	BLACK	1	

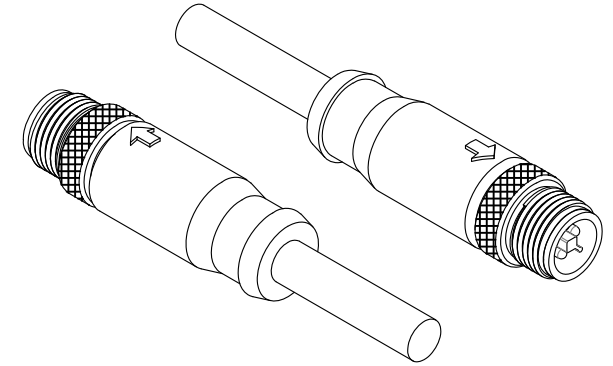
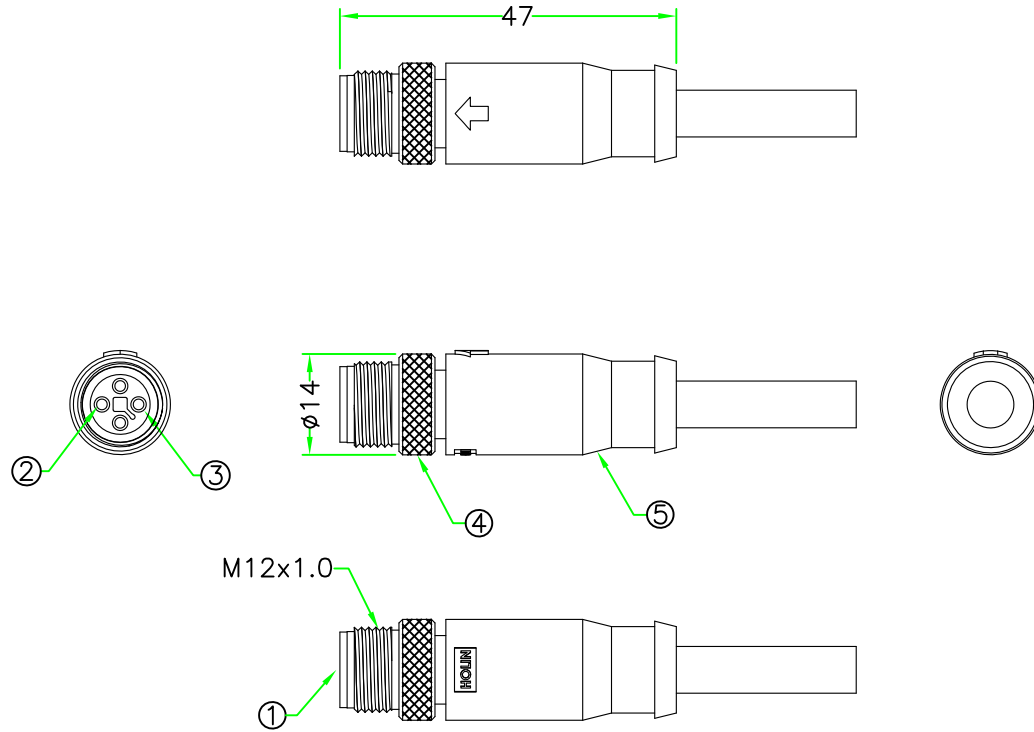
HOLIN® HTP ASIA TECHNOLOGY CO., LTD.
禾凌科技股份有限公司

	UNIT: mm	TITLE :	M12 S-Coding Male Connector Molded Cable Ass'y
	SCALE 1:1	P/N:	S12P-M1xxSN
UNLESS OTHERWISE SPECIFIED TOLERANCES: X ± 0.5 XX ± 0.25 XXX ± 0.1 ANGLE ± 1'		DWG.NO:	S12P-M1xxSN
REV. A	SHEET 1/1	DR.	SIBYL
		CH.	ERIC
		AP.	

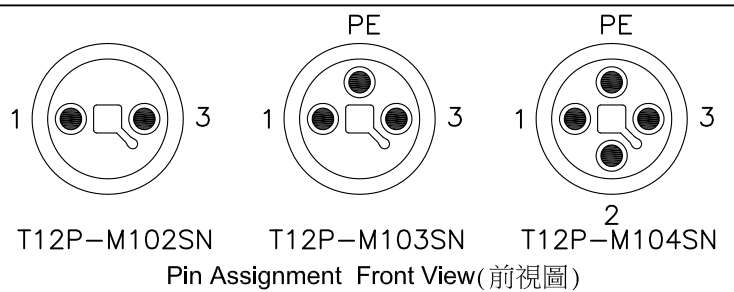
RoHS

IP66-68

REV.	DESCRIPTION	DATE
A	ISSUE	Oct/15/2018



*Cable specification and length can be customized.



NOTES:

1. ELECTRICAL CHARACTERISTICS:
CURRENT RATING: 12A

2. HOW TO ORDER: T12P-M1xxSN

- 02 - 2 PIN
- 03 - 3 PIN
- 04 - 4 PIN

HOLIN® HTP ASIA TECHNOLOGY CO., LTD.
禾凌科技股份有限公司

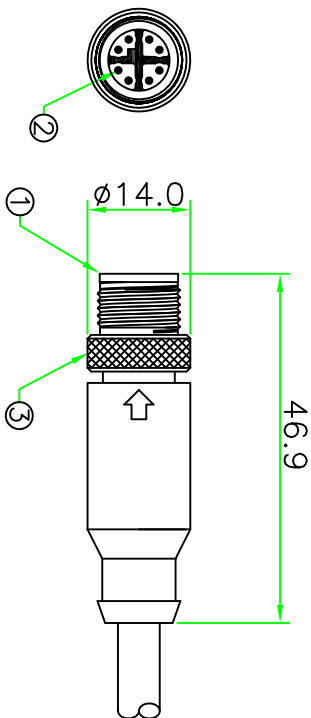
No.	PART NAME	DESCRIPTION	COLOR	Q'TY	REMARKS	REV.	SHEET	DWG.NO:	AP.
5	OVERMOLD	PU or PVC.	BLACK	1		A	1/1	T12P-M1xxSN	AP.
4	RING NUT	Brass, Nickel Plated.		1	M12D-MC-SN(A3)			T12P-M1xxSN	CH. ERIC
3	CONTACT	Brass , 6 u" Gold Plated .Male Contact.		1	PM1.5SL21.5-01(A)			T12P-M1xxSN	DR. SIBYL
2	CONTACT	Brass , 6 u" Gold Plated .Male Contact.		N	PM1.5SL21-01(A)			T12P-M1xxSN	CH. ERIC
1	CONNECTOR	M12 T-Coding Male Connector Insert. Nylon+GF.	BLACK	1				T12P-M1xxSN	AP.

UNIT: mm	TITLE : M12 T-Coding Male Connector Molded Cable Ass'y
SCALE 1:1	
UNLESS OTHERWISE SPECIFIED TOLERANCES: X ± 0.5 XX ± 0.25 XXX ± 0.1 ANGLE ± 1'	P/N: T12P-M1xxSN
	DWG.NO: T12P-M1xxSN

IP66-68

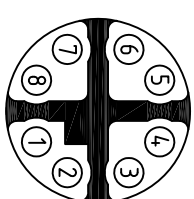
RoHS

REV.	DESCRIPTION	DATE
A	ISSUE	Feb/26/2009



- NOTES:
- ELECTRICAL CHARACTERISTICS:
CURRENT RATING: < 1.5A
TEMPERATURE RANGE: -25°C TO +85°C
DIELECTRIC WITHSTANDING VOLTAGE:
500V AC FOR ONE MINUTE
 - HOW TO ORDER: X12X-M1XXSN

08 - 8 PINS
I - CURRENT RATING < 1.5A



X12I-M108SN

Pin Assignment Front View

HOLIN HTP ASIA TECHNOLOGY CO., LTD.
禾凌科技 股份有限公司

*Cable specification and length can be customized.

No.	PART NAME	DESCRIPTION	COLOR	QTY	REMARKS
3	RING NUT	Brass, nickel plated.		1	
2	Contact	Brass, 6u" gold plated.		8	
1	Connector	M12 X-code Male connector Insert.	BLACK	1	

SCALE	UNIT: mm	TITLE	M12 X-Coding MALE molded cable
UNLESS OTHERWISE SPECIFIED TOLERANCES:		P/N:	X12I-M108SN
x ± 0.25	xx ± 0.1	DWG.NO:	X12I-M108SN
xxx ± 0.05	ANGLE ± 1°	DR:	Stantley
REV. A	SHEET 1/1	CH:	ESJ
		AP:	