

SIGN	DATE	DESCRIPTION	APPROVER
△	2010.10.28	Add cULus standard	Jacke
△	2010.10.28	The design is changed	Jacke
△	2010.10.28	The design is changed	Jacke
△	2012.07.16	Change the material of contact from Brass to Copper	Chen Bo

THIS IS CAD DRAWING, DO NOT REVISE MANUALLY!!!

Material

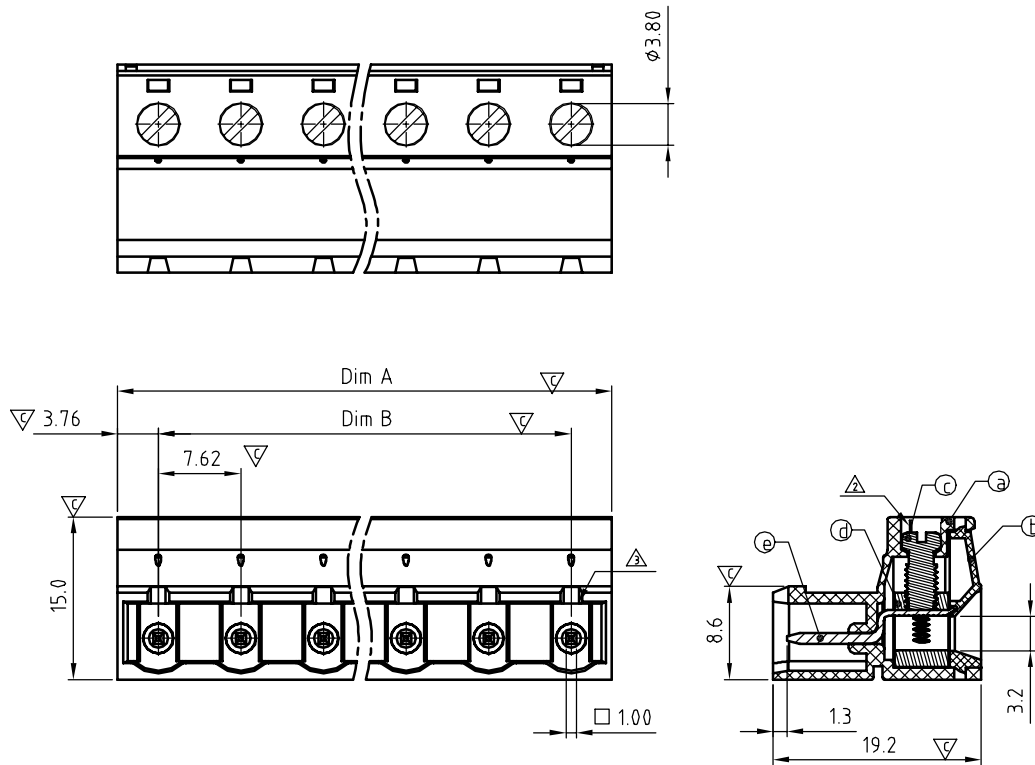
- Item (a) Terminal(housing):Thermoplastic (UL94V-0)
- Item (b) Terminal (Cover):Thermoplastic (UL94V-0)
- Item (c) Terminal screw:Steel Zinc plating "-" slot type
- Item (d) Clamp:Brass(CuZn) nickel plating
- △ ● Item (e) Male Contact Pin: Copper, Tin plated

Electrical

- Voltage rating: 300VAC
- Current rating: 20A
- Wire range:
- Solid wire(AWG): 12-24
- Stranded wire(AWG): 12-24
- Torque: 4 Lb-In
- Wire strip length: 7-8mm
- Withstanding Voltage: 1.6KV
- Operating temperature: -40°C to +115°C
- △ ● Safety Approval: us
- Critical dimension: ▽

V8 xx 01 x 0 xxxx G

<p>No. OF POLES</p> <p>02 2 CONTACTS</p> <p>03 3 CONTACTS</p> <p>... ..</p> <p>16 16 CONTACTS</p>	<p>Color</p> <p>0 Black (RAL9005)</p> <p>2 Red (RAL3001/D)</p> <p>3 Orange(RAL2011/P)</p> <p>4 Yellow(RAL1018/A)</p> <p>5 Green(RAL6018/T)</p> <p>6 Blue (RAL5015/A)</p> <p>8 Grey(RAL7035/D)</p>	<p>G: RoHS complian(lead<4%) In copper Alloy</p> <p>0000: "@" Logo (Standard)</p> <p>000A: "ANYTEK" Mark</p> <p>Any special item by customer request. please contact sales department.</p>
---	---	---



N = Number of poles

DIMENSION

Dim A	(N-1)X7.62+7.52
Dim B	(N-1)X7.62

Poles	Tolerance
2p-4p	±0.15
5p-8p	±0.25
9p-12p	±0.30
13p-16p	±0.40

<h1>ANYTEK</h1>				<h2>CUSTOMER COPY</h2>			
ALL RIGHTS RESERVED. REPRODUCTION OR ISSUE TO THIRD PARTIES IN ANY FORM WHATSOEVER IS NOT PERMITTED WITHOUT WRITTEN AUTHORITY FROM THE PROPRIETOR. PROPERTY OF ANYTEK TECHNOLOGY CO., LTD							
TITLE		V8 7.62 Series without flange					
PART NO.		V8xx01x0xxxxG			DWG NO.		8V80501
APPROVED		CHECKED	DESIGNED	DRAWN	CUST NO.		Tolerance
			Chen Bo 2012.07.16	Chen Bo 2012.07.16			X. ±0.50
							X.X ±0.30
							UNIT: mm
					SHEET: 01/01		X° ±1°
					SCALE: NONE		
					REV.: D		