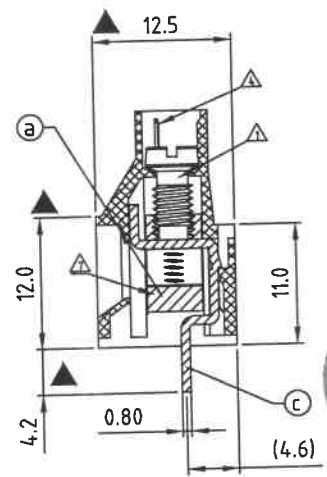
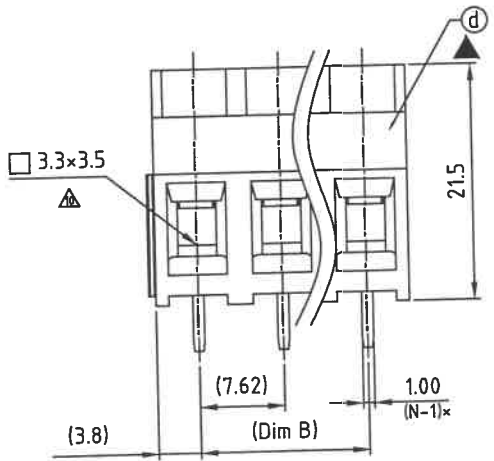
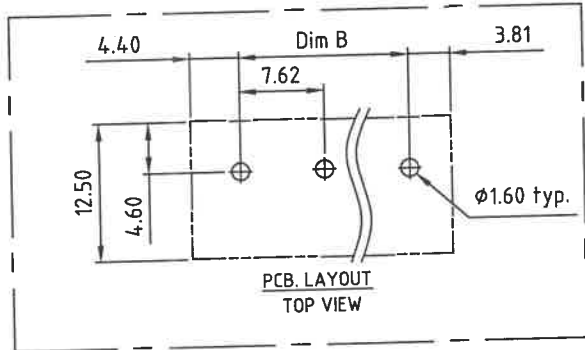
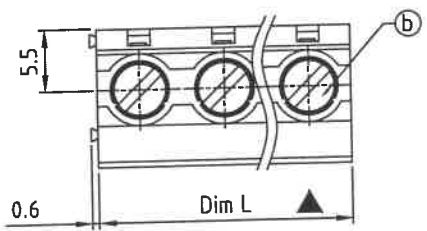


RoHS Compliant ▲



Rev.	SIGN	DATE	DESCRIPTION	APPROVER
C	▲	9/6'07	The screw is changed from M3.0 to M3.5	Marvin
	▲	9/6'07	The electrical is changed	Marvin
D	▲	7/4'09	Current , operating temperature are changed	Jody
E	▲	05/25'09	Structure changed	Eris
F	▲	11/10'09	Wire guard solder pin is changed from Brass to Copper	Aaron
G	▲	02/22'10	Torque is changed from 8.9Lb-In to 6.9Lb-In	Aaron
H	▲	08/03'10	Clamp is changed	Aaron
I	▲	12/13'10	Add is " TUV "	Chen Bo
J	▲	10/22'13	Update the drawing	Guoxue
K	▲	08/08'14	change the dimension from 3.0×3.0 to 3.3×3.5	Evan
	▲	08/08'14	update the drawing	Evan
L	▲	2019.09.16	Add the "RoHS Compliant"&"Amphenol Logo"	Guoxue
	▲	2019.09.16	Add the "VDE" and VDE parameter	Guoxue
	▲	2019.09.16	Add the "Wave Soldering temperature: $260^{\circ}\text{C} \pm 5^{\circ}\text{C}/5 \text{ Sec}$ "	Guoxue
	▲	2019.09.16	cULus Torque is change from 6.9Lb-In to 8.9Lb-In.	Guoxue

THIS IS CAD DRAWING, DO NOT REVISE MANUALLY!!!

Material

- Item ① Clamp : Brass, Ni plated
- Item ② Terminal screw: Steel Zinc plating "-" slot type
- ▲ ● Item ③ Wire guard solder pin : Copper, Tin plated
- Item ④ Terminal housing : Thermoplastic (UL94V-0)

	cULus	TUV	VDE
▲ ● Electrical		750V	750V
● Voltage rating:	300V	41A	41A
▲ ● Current rating:	30A	0.20-6.0mm ²	0.20-6.0mm ² (Rigid solid&stranded)
● Wire range:			0.20-4.0mm ² (Flexible)
▲ ● Solid wire(AWG):	10-24		
▲ ● Stranded wire(AWG):	10-24		
▲ ● Torque:	8.9 Lb-in	0.85 N.m	0.8 N.m
● Withstanding Voltage:	1.6KV	3KV	3KV
▲ ● Safety Approval:	cULus	TUV	VDE
▲ ● Screw:	M3.5		
● Wire strip length:	6-7mm		
▲ ● Operating temperature:	-40°C to +115°C		
	(Including temperature rise caused by application of current)		
▲ ● Wave soldering temperature:	$260^{\circ}\text{C} \pm 5^{\circ}\text{C}/5 \text{ Sec}$		
● Critical dimension:	▲		

DIMENSION
N = Number of poles ▲

Dim. L	Nx7.62
Dim. B	(N-1)x7.62

Poles	Tolerance
2p-6p	±0.15
7p-11p	±0.25
12p-16p	±0.35

▲ T7 xx 43 x 0 xxxx G

0 Black (RAL9005)
 2 Red (RAL3001/D)
 3 Orange(RAL2011/P)
 4 Yellow(RAL1018/A)
 5 Green(RAL6018/T)
 6 Blue (RAL5015/A)
 8 Grey(RAL7035/D)
 C Green(RAL6018/U)

G RoHS compliant (lead<4%) in copper Alloy

0000 Standard @ Logo
 000A Standard ANY Logo
 0091 Standard ANY Logo

Any special item by customer request, please contact sales department.

Amphenol ANYTEK

CUSTOMER COPY

ALL RIGHTS RESERVED. REPRODUCTION OR ISSUE TO THIRD PARTIES IN ANY FORM WHATSOEVER IS NOT PERMITTED WITHOUT WRITTEN AUTHORITY FROM THE PROPRIETOR. PROPERTY OF ANYTEK TECHNOLOGY CO., LTD

TITLE		T7 7.62 SERIES 2P-16P Vertical 180° "-" screw	
PART NO.	T7xx43x0xxxxG	DWG NO.	8T70401
APPROVED	CHECKED	DESIGNED	DRAWN
		Guoxue 2019.09.16	Guoxue 2019.09.16
SHEET: 01/01		UNIT: mm	Tolerance
		SCALE: NONE	X. ±0.50
		REV.: L	X.X ±0.30
			X.XX ±0.10
			X° ±1°