

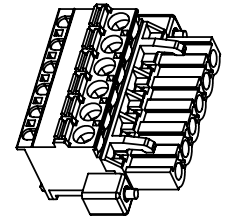
SIGN	DATE	DESCRIPTION	APPROVER
△	04/07'10	Add the 2P mark	RUNNER
<i>THIS IS CAD DRAWING, DO NOT REVISE MANUALLY!!!</i>			

Dimension

DIM A	$N \times 5.08 + 0.62$
DIM B	$(N-1) \times 5.08$

N=Number of poles

POLES	TOL
2p-6p	±0.15
7p-12p	±0.25
13p-16p	±0.35
17p-24p	±0.40



Material

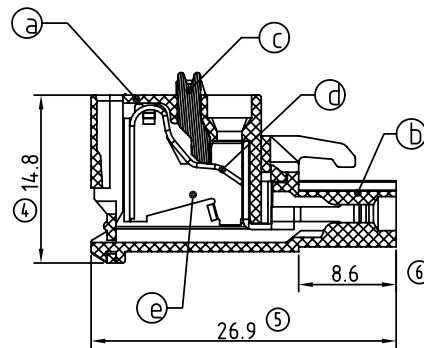
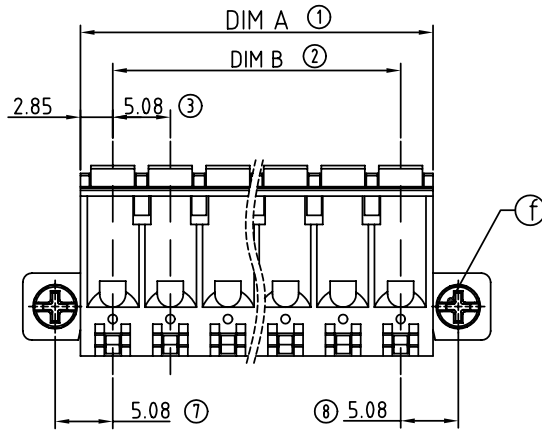
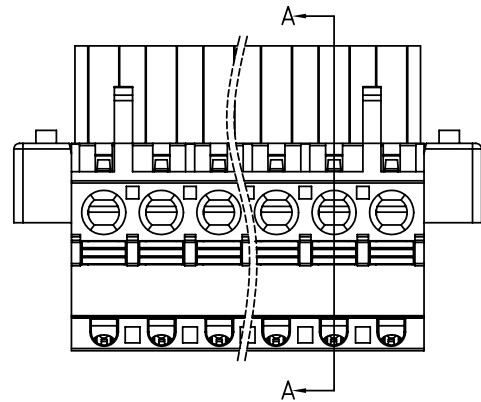
- Item a Terminal body:Thermoplastic (UL94V-0)
- Item b Terminal body:Thermoplastic (UL94V-0)
- Item c Terminal lever:Thermoplastic (UL94V-0)
- Item d Wire guard:Stainless Steel
- Item e Female contact:PhBz (CuSn) Tin plated
- Item f With flange screw :Steel Zinc plating M2.5 solt "+/-" type

Electrical cULus

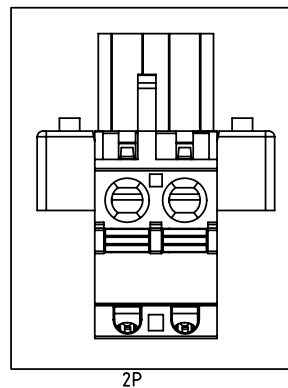
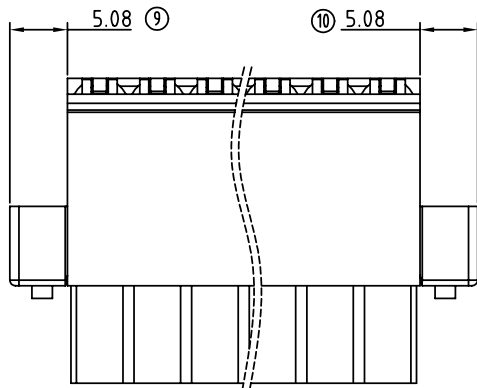
- Voltage rating:300V
- Current rating:10A
- Solid wire(AWG):12-26
- Stranded wire(AWG): 12-26
- Wire strip length:9-10mm
- Withstanding Voltage:1.6KV
- Operating temperature:-40°C to +115°C
- Safety Approval: us

H4 xx 50 x C xxxx G

02	2 CONTACTS	0	Black	0000 Standard @ Logo	RoHS
03	3 CONTACTS	5	Green	000A Standard ANY Logo	Pb<40,000ppm
...	...	6	Blue	Any special item by customer request, please contact sales department.	
24	24 CONTACTS	8	Grey		



SECTION A-A



<b>ANYTEK</b>				<b>CUSTOMER COPY</b>	
ALL RIGHTS RESERVED. REPRODUCTION OR ISSUE TO THIRD PARTIES IN ANY FORM WHATSOEVER IS NOT PERMITTED WITHOUT WRITTEN AUTHORITY FROM THE PROPRIETOR. PROPERTY OF ANYTEK TECHNOLOGY CO., LTD					
TITLE		H4 5.08 Series ( 2p-24p ) hook on entry side ( With flange )			
PART NO.		H4xx50xCxxxxG		DWG NO. 8H40203	
APPROVED	CHECKED	DESIGNED	DRAWN	CUST NO.	
		Runner 2010.04.07	Tony 2009.03.12		
				UNIT: mm SCALE: NONE SHEET: 01/01 REV.: C	
				X. ±0.50 X.X ±0.30 X.XX ±0.10 X* ±1*	