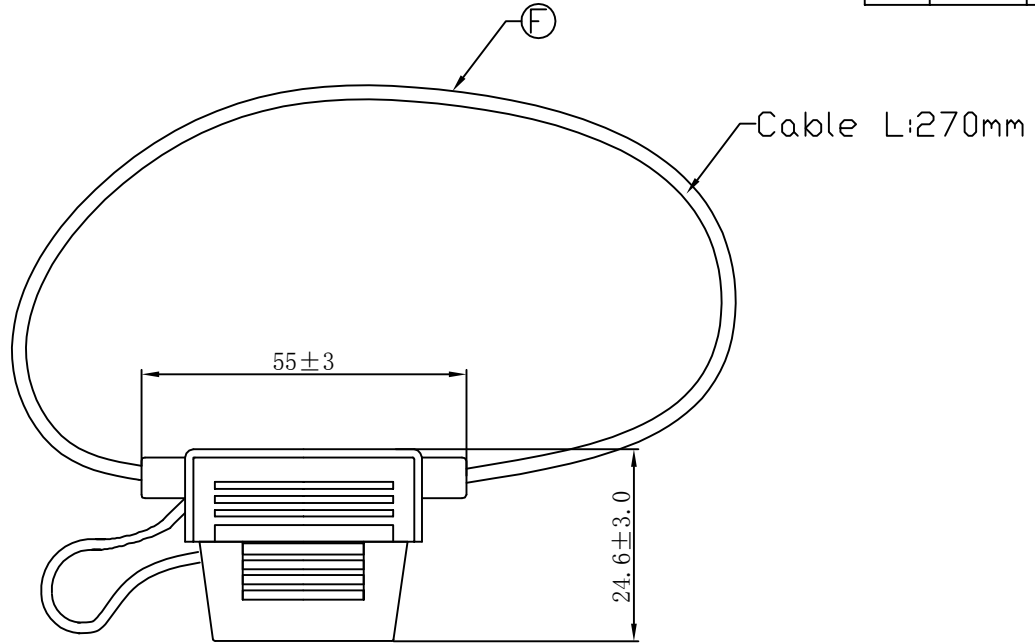


7		8
REV	Date	Description
A		

RoHS



Specification :

- A** > Rated Current : 5A 32V
- B** > Insulation Resistance At 500V DC : 100MΩ MIN.
- C** > Contact Resistance : 5mΩ At 1A DC
- D** > Dielectric Strength For 60 Second : AC 1500V MIN.
- E** > Bady Material : PVC
- F** > Supply Standard Wire-AWG : 1015 20# AWG Red Wire

Water resistant type

JIA YI ELECTRONIC CO., LTD.			UNIT	TITIE	CUSTOMER P.Number	S.H NUMBER	REV.
DATE: 2013/02/26			mm	Fuse Cable			A0
DRAWING.	APPROVED	SCALE	CUSTOMER Name		DRAWN NO.	Page No	
you kai yin		NOT	U002		2013022600003	1of1	