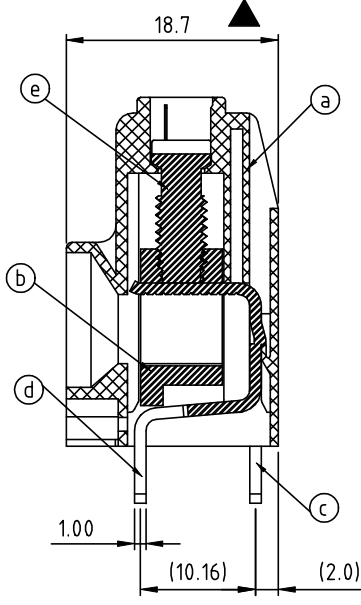
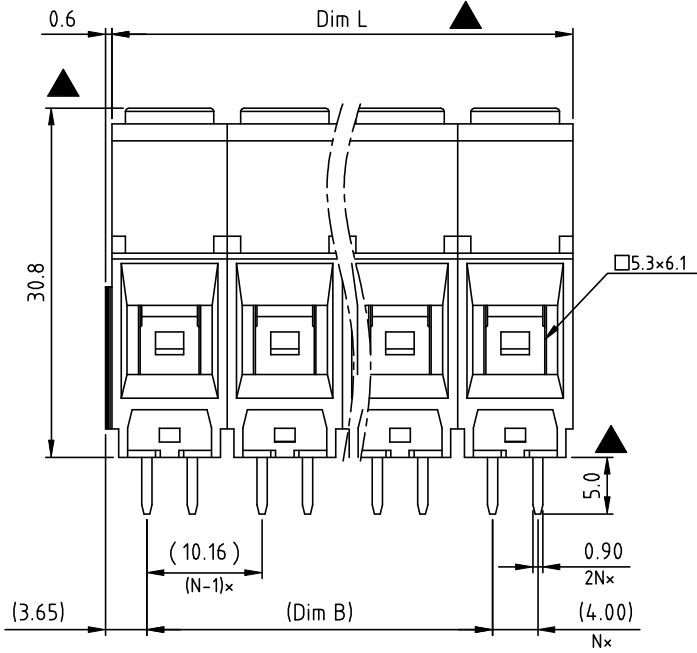
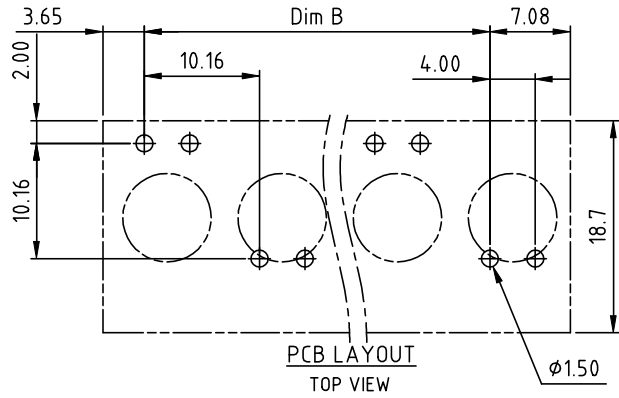
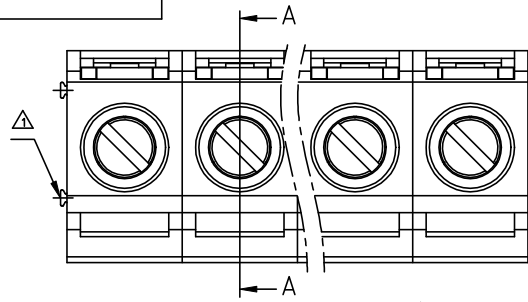
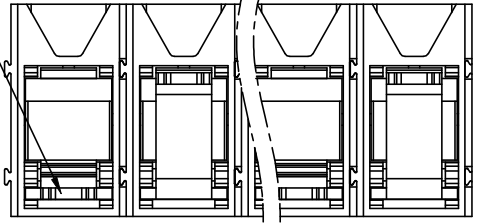


RoHS Compliant



SECTION A-A

First pole with back contact



N = Number of poles  
 Dim L = Nx10.16  
 Dim B = (N-1)x10.16

Poles	Dim.L Tolerance
2P-4P	±0.20
5P-8P	±0.30
9P-12P	±0.40

Rev.	SIGN	DATE	DESCRIPTION	APPROVER
C	△	2010.12.20	The design is changed	Chen Bo
D	△	04/04'11	Add is spec.	Chen Bo
E	△	07/29'11	The torque is changed & Add is the "cULus" mark	Runner
F	△	06/25'19	Add the color code.	Guoxue
	△	06/25'19	Add the "Reference dimension"	Guoxue
	△	06/25'19	Add the "TUV"	Guoxue
	△	06/25'19	Add the "Wave Soldering temperature : 260°C+5°C/5 Sec"	Guoxue
	△	06/25'19	Add the "Rohs compliant & Amphenol Logo"	Guoxue
G	△	07/23'20	TUV is change from  to	Guoxue
	△	07/23'20	Update the TUV Electrical parameters.	Guoxue

THIS IS CAD DRAWING, DO NOT REVISE MANUALLY!!!

- Material:
- Item (a) Terminal housing : Thermoplastic (UL 94V-0)
  - Item (b) Clamp : Brass , Ni plated
  - Item (c) Wire guard solder pin (Back single row) : Copper , Tin plated
  - Item (d) Wire guard solder pin (Front single row) : Copper , Tin plated
  - Item (e) Terminal screw : Steel Zinc plating"-slot type

- △ Electrical cULus TUV △
- Voltage rating : 600V 1000V
  - Current rating : 65A 76A
  - Wire range : 0.5-16mm<sup>2</sup>
  - Solid wire (AWG) : 6-20
  - Stranded wire (AWG) : 6-20
  - Torque : 12.2 LB-In 1.38N.m
  - Screw : M4.5
  - Wire strip length : 10~11mm
  - Withstanding voltage : 2.2KV 3.5KV
  - Operating temperature : -40°C to +115°C
  - Wave Soldering temperature : 260°C+5°C/5 Sec
  - Critical dimension:
  - Safety Approval: ▲
  - Reference dimension: (x) The dimensions of pitch are just for reference, take the actual assembly result as a judgment when inserting the terminal block into the PCB hole.

KP xx 2 1 x 0 xxxx G

G:RoHS compliant(lead<4%) in copper alloy

02 2 Poles	Color	0000:"@Logo (Standard)
03 3 Poles	0 Black (RAL9005)	000A:"ANYTEK"Logo
...	2 Red (RAL3001/D)	Any special item by customer request,
...	3 Orange(RAL2011/P)	please contact sales department.
12 12 Poles	4 Yellow(RAL1018/A)	
	5 Green(RAL6018/T)	
	6 Blue (RAL5015/A)	
	8 Grey(RAL7035/D)	
	9 White (RAL1102)	
	C Green(RAL6018/U)	

**CUSTOMER COPY**

ALL RIGHTS RESERVED. REPRODUCTION OR ISSUE TO THIRD PARTIES IN ANY FORM WHATSOEVER IS NOT PERMITTED WITHOUT WRITTEN AUTHORITY FROM THE PROPRIETOR. PROPERTY OF ANYTEK TECHNOLOGY CO., LTD

TITLE		KP 10.16 Series Solder pins staggered by half pin spacing (Without cover)			
PART NO.		KPxx21x0xxxxG		DWG NO. 8KP0101	
APPROVED	CHECKED	DESIGNED	DRAWN	CUST NO.	
		Guoxue 2020.07.23	Guoxue 2020.07.23		
				UNIT: mm	
				SCALE: NONE	
SHEET: 01/01				Tolerance	
				X. ±0.50	
				X.X ±0.30	
				X.XX ±0.10	
				X° ±1°	