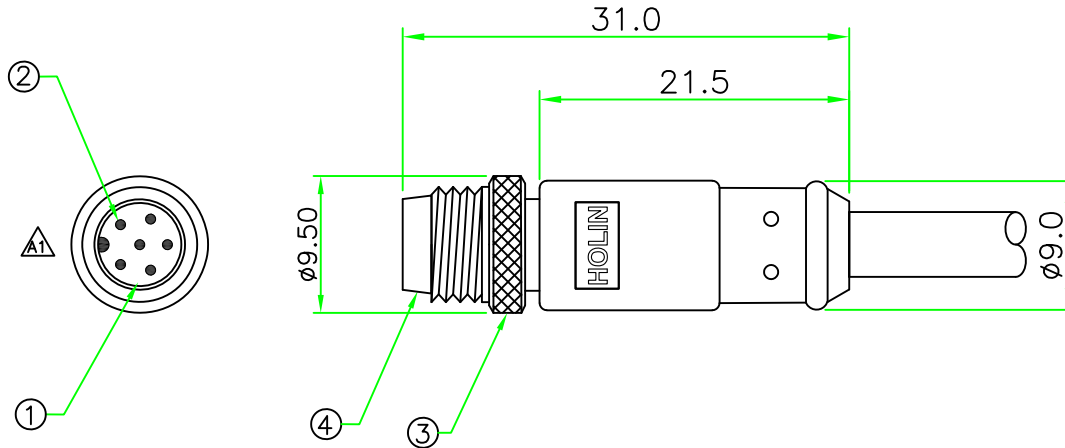


RoHS

IP66-68

REV.	DESCRIPTION	DATE
A	ISSUE	May/04/2015
A1	Add 7~8PIN & Correct Pin Assignment.	Oct/24/2018



NOTES:

1. ELECTRICAL CHARACTERISTICS:

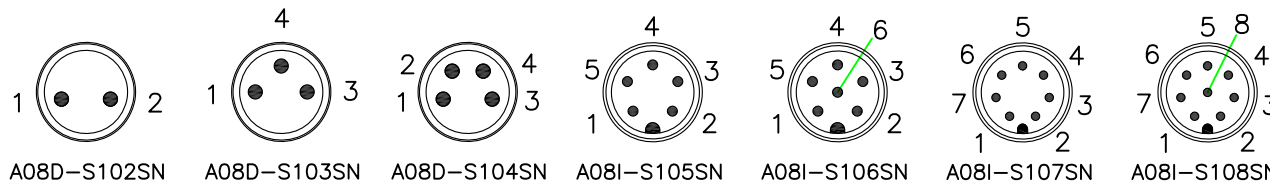
CURRENT RATING: 1.5A / 3A
 TEMPERATURE RANGE: -20°C TO +80°C
 DIELECTRIC WITHSTANDING VOLTAGE:
 500V AC FOR ONE MINUTE

2. HOW TO ORDER: A08x-S1xxSN

02 - 2 PINS 06 - 6 PINS
 03 - 3 PINS 07 - 7 PINS
 04 - 4 PINS 08 - 8 PINS
 05 - 5 PINS

I - CURRENT RATING 1.5A
 D - CURRENT RATING 3A

*Cable specification and length can be customized.



PIN ASSIGNMENT FRONT VIEW (前視圖) ⚠

4	METAL SHELL	Brass, Nickel Plated.		1	
3	RING NUT	Brass, Nickel Plated.		1	
2	CONTACT	Brass, 6 u" Gold plated. Male Contact.		N	
1	CONNECTOR	M8 A-Coding Male Connector Insert. Nylon+GF.	BLACK	1	
No.	PART NAME	DESCRIPTION	COLOR	Q'TY	REMARKS

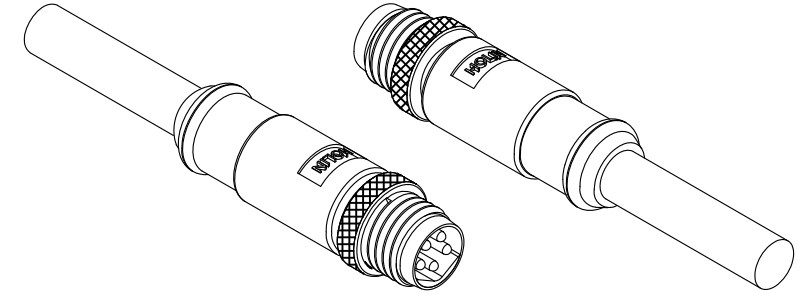
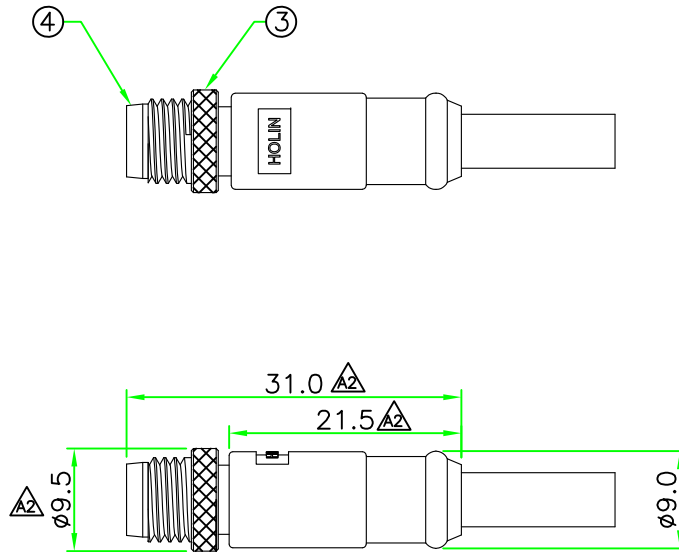
HOLIN® HTP ASIA TECHNOLOGY CO., LTD.
 禾凌科技股份有限公司

UNIT: mm	TITLE : M8 A-Coding Male Shielded Molded Cable Ass'y
SCALE 2:1	
UNLESS OTHERWISE SPECIFIED TOLERANCES: .x ± 0.5 .xx ± 0.25 .xxx ± 0.1 ANGLE ± 1°	P/N: A08x-S1xxSN
REV. A1	DR. SIBLY
SHEET 1/1	CH. ERIC
	DWG.NO: A08x-S1xxSN
	AP.

RoHS

IP66-68

REV.	DESCRIPTION	DATE
A	ISSUE	Jun/13/2014
A1	Correct Note	May/04/2015
A2	Correct Dimension.	Oct/29/2018



NOTES:

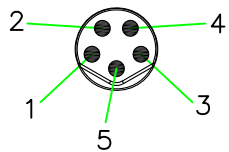
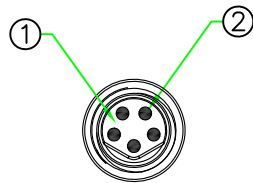
1. ELECTRICAL CHARACTERISTICS:

CURRENT RATING: 3A

TEMPERATURE RANGE: -20°C TO +80°C

DIELECTRIC WITHSTANDING VOLTAGE:

500V AC FOR ONE MINUTE



PIN ASSIGNMENT
FRONT VIEW
(前視圖)

No.	PART NAME	DESCRIPTION	COLOR	Q'TY	REMARKS
4	METAL SHELL	Brass, Nickel Plated.		1	
3	RING NUT	Brass, Nickel Plated.		1	
2	CONTACT	Brass, 6 u" Gold Plated. Male Contact.		5	
1	CONNECTOR	M8 B-Coding Male Connector Insert. Nylon+GF.	BLACK	1	

HOLIN [®] HTP ASIA TECHNOLOGY CO., LTD. 禾凌科技股份有限公司	
 UNIT: mm SCALE 1.5:1	TITLE: M8 B-Coding Male Shielded Molded Cable Ass'y
UNLESS OTHERWISE SPECIFIED TOLERANCES: .X ± 0.5 .XX ± 0.25 .XXX ± 0.1 ANGLE ± 1°	P/N: B08D-S105SN DR. SIBYL CH. ERIC
REV. A2 SHEET 1/1	DWG.NO: B08D-S105SN AP.