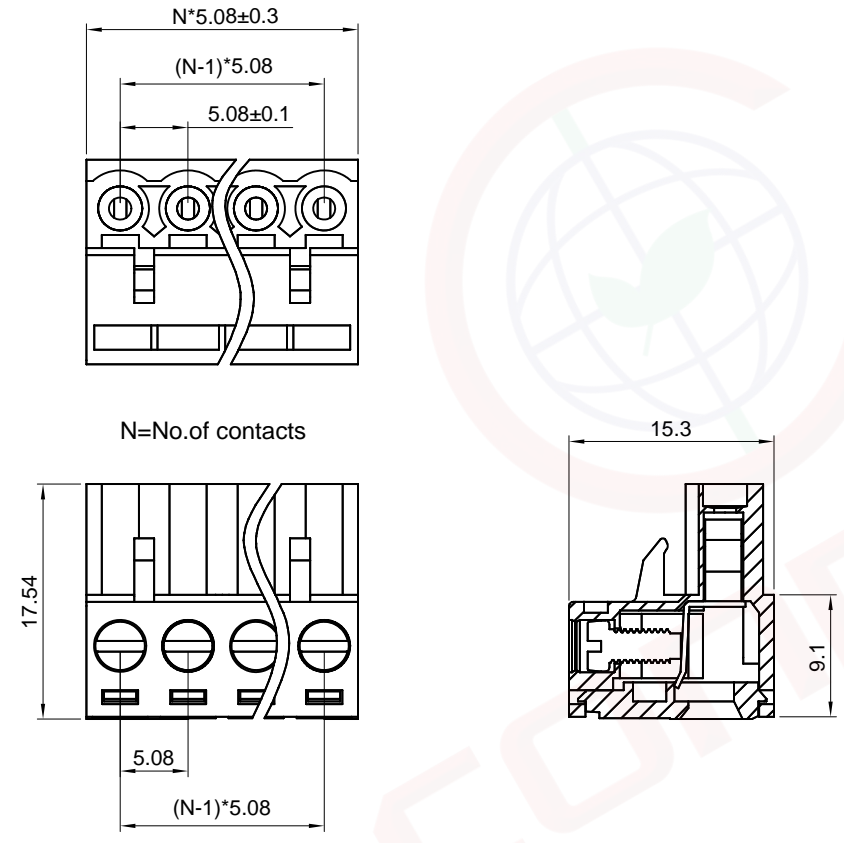


Dept	
Qty	
DC	1
ED	1
IE	1
ISO	1
PD	1
R&D	1
SD	1
QA	1
QC	1
QE	1

The information provided herein is from CONNELY Electronic Co., Ltd. and is confidential. Any disclosure to a party other than the recipient is prohibited. The intellectual properties and its rights contained herein, including but not limited to, trademarks, patents, copyrights, trade secrets, and technical know-how, are owned exclusively by CONNELY or its affiliates. Unauthorized use or reproduction of any part of this document is strictly prohibited. CONNELY may enforce its intellectual property rights at its own discretion, failures or delays to exercise such rights does not constitute a waiver of such rights.



(Series Image-Reference Only)

REV.	DESCRIPTION	DRAWN	CHECKED	APPROVED
A	NEW RELEASE	JLZ 06/18/22'		

NOTES:
 Standard UL
 Rated voltage:300V
 Rated current:15A
 Wrth standing voltage:AC1500V/1 Min
 Wire range:28~12AWG
 Temp.Range:-40°C~+105°C
 Pitch:5.08mm
 Poles:2~24P
 Materials:
 Contact: Copper Alloy,Tin plated.
 Insulator: Nylon.
 Wire guard:Copper Alloy,Nickel Plated.
 Screw:M2.5,Steel,Zinc Plated.
 Product Number Code:

DS1159-08 - X X X

- Contact plating 6: Tin
- Housing color G:Green
- No.of contacts 2-24

GENERAL TOLERANCE		ANGLE TOLERANCE		PROJECTION		TITLE	
X.	±0.60	X.	±5°	UNITS	mm	5.08mm PCB Terminal Blocks Plug Type	
.X	±0.38	.X	±3°	SHEET SIZE	A4	SERIES	DS1159-08 SERIES
.XX	±0.25	.XX	±2°	晨翔电子有限公司 CONNELY ELECTRONIC CO., LTD			
DRAWING TYPE		CUSTOMER					
SCALE	1:1	SHEET	1 OF 1				
DRAWING NO.		C-DS1159-08-XXX-A					