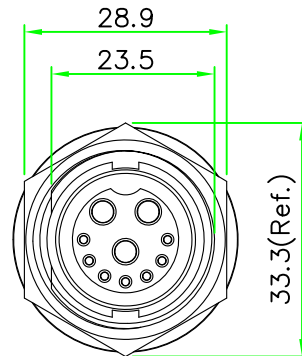
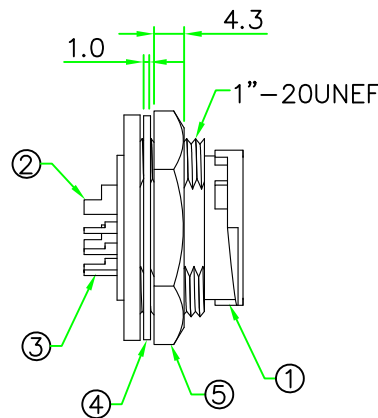
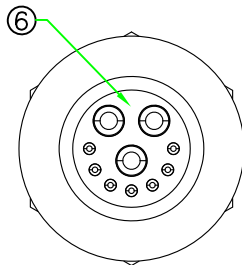
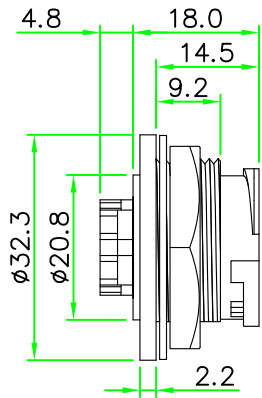
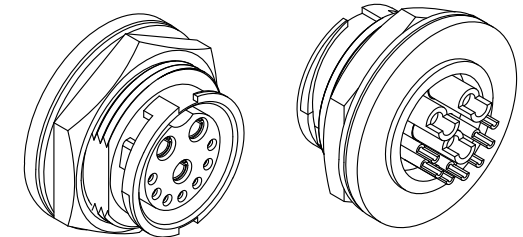


RECOMMENDED
PANEL CUT OUT

RoHS
IP67



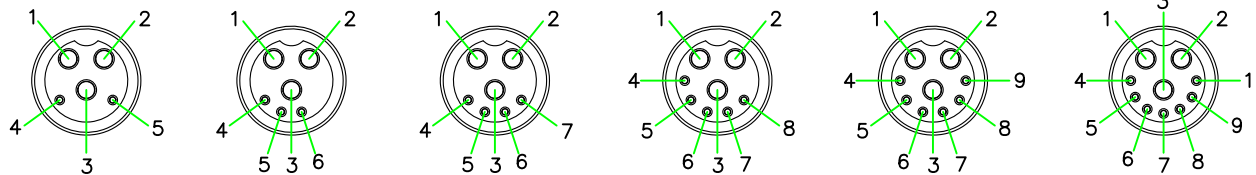
REV.	DESCRIPTION	DATE
A	ISSUE	Nov/10/2015
B	Modified pin assignment, title & Draw No.	Oct/14/2020



NOTES:

- ELECTRICAL CHARACTERISTICS:
CURRENT RATING: 20A + 5A
CONNECTOR TEMPERATURE RANGE: -25°C TO +85°C
DIELECTRIC WITHSTANDING VOLTAGE:
500V AC FOR ONE MINUTE
- PANEL THICKNESS MAX. 3.5 mm
- HOW TO ORDER: CDGD-L3xxCSR Δ

- 2 - 2 PIN 5 - 5 PIN
- 3 - 3 PIN 6 - 6 PIN
- 4 - 4 PIN 7 - 7 PIN
- 2 - 2 PIN
- 3 - 3 PIN



CDGD-L332CSR CDGD-L333CSR CDGD-L334CSR Δ CDGD-L335CSR CDGD-L336CSR CDGD-L337CSR

PIN ASSIGNMENT FRONT VIEW

(前視圖)

6	GLUE	EPOXY.	BLACK		
5	HEX NUT	NYLON+GF.	BLACK	1	
4	GASKET	EPDM.	BLACK	1	
3	CONTACT	BRASS, Male Pin. 6u" Gold Plated.(5A)		N	
2	CONTACT	BRASS, Male Pin. 6u" Gold Plated.(20A)		N	
1	CONNECTOR	D Size Male Connector Insert. NYLON+GF.	BLACK	1	
No.	PART NAME	DESCRIPTION	COLOR	Q'TY	REMARKS

HOLIN® HTP ASIA TECHNOLOGY CO., LTD.
禾凌科技股份有限公司

ϕ	UNIT: mm	TITLE : Circular D Size Male Connector Female Pin Rear Mount Lock Type Round Flange Solder Bucket Pin	
SCALE	1:1		
UNLESS OTHERWISE SPECIFIED TOLERANCES: .x ± 0.5 .xx ± 0.25 .xxx ± 0.1 ANGLE ± 1°		P/N: CDGD-L3xxCSR	DR. SIBYL
REV.	SHEET	Δ CDGD-L3xxCSR	CH. JAMES
B	1/1	DWG.NO: CDGD-L3xxCSR	AP.