

SIGN	DATE	DESCRIPTION	APPROVER
△	03/29'12	Add is cULus	Chen Bo
△	03/29'12	The dimension D & E are added	Chen Bo
△	03/29'12	The dimension is changed from 1.30mm to 1.3mm	Chen Bo
△	03/29'12	The dimension is changed from 2.60mm to 2.6mm	Chen Bo



THIS IS CAD DRAWING, DO NOT REVISE MANUALLY!!!

Material:

- Item a Terminal(housing): Thermoplastic (UL94V-0)
- Item b Terminal(cover): Thermoplastic (UL94V-0)
- Item c Male contact pin : Copper Tin plated

Electrical:

- Voltage rating: 300V
- Current rating: 12A
- Withstanding Voltage: 1.6KV
- Operating temperature: -40°C to +115°C
- Soldering temperature: 250°C ±10°C/5 Sec

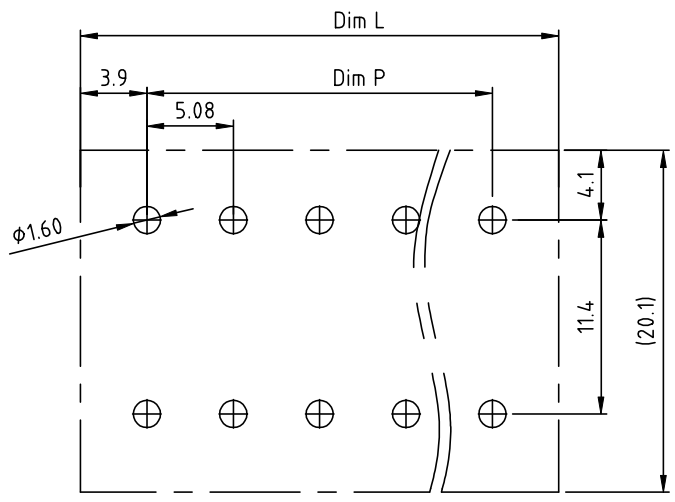
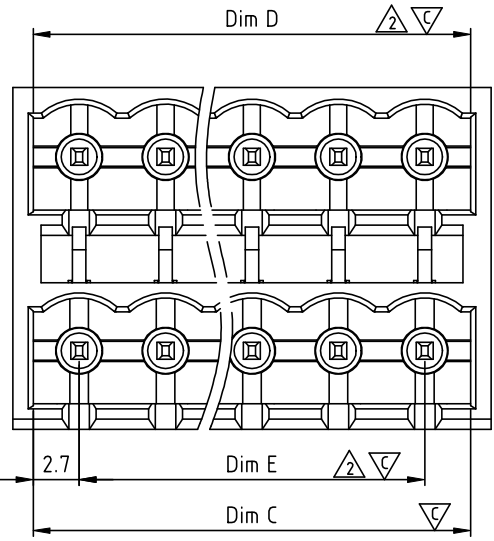
- △ Safety Approval: 
- Critical dimension: 

KE xx 5 1 x 2 xxxx G

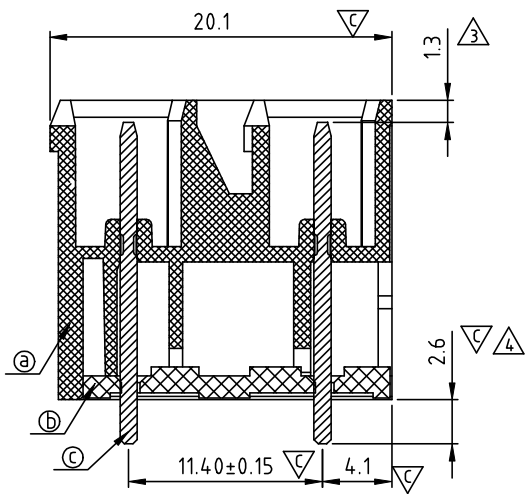
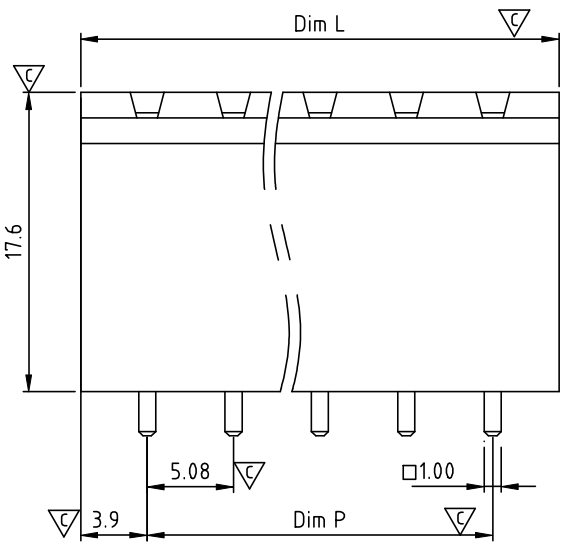
- No. OF POLES
- 04: 2x2 POLES
  - 06: 2x3 POLES
  - ...
  - 48: 2x24 POLES

G RoHS compliant (lead<4%) In copper Alloy

- COLOR
- 0000: "@" Logo (Standard)
  - 000A: "ANYTEK" Mark
  - Any special item by customer request. please contact sales department.
  - 0 Black (RAL9005)
  - 2 Red (RAL3001/D)
  - 3 Orange(RAL2011/P)
  - 4 Yellow(RAL1018/A)
  - 5 Green(RAL6018/T)
  - 6 Blue (RAL5015/A)
  - 8 Grey(RAL7035/D)
  - 9 White(RAL1102)
  - C Green(RAL6018/U)



PCB Layout




Poles	Dim L	Dim P	Dim C	Dim D	Dim E
2x2-2x6p	±0.15	±0.15	+0.05 -0.05	+0.05 -0.05	±0.15
2x7-2x12p	±0.25	±0.25	+0.10 -0.05	+0.10 -0.05	±0.25
2x13-2x18p	±0.35	±0.35	+0.20 -0.05	+0.20 -0.05	±0.35
2x19-2x24p	±0.40	±0.40	+0.25 -0.10	+0.25 -0.10	±0.40

N = Number of poles  
 Dim L=Nx5.08+2.72  
 Dim P=(N-1)x5.08  
 Dim C=(N-1)x5.08+5.4  
 Dim D=(N-1)x5.08+5.4  
 Dim E=(N-1)x5.08

**ANYTEK**

**CUSTOMER COPY**

ALL RIGHTS RESERVED. REPRODUCTION OR ISSUE TO THIRD PARTIES IN ANY FORM WHATSOEVER IS NOT PERMITTED WITHOUT WRITTEN AUTHORITY FROM THE PROPRIETOR. PROPERTY OF ANYTEK TECHNOLOGY CO., LTD

TITLE		KE 5.08mm W/O Flange Series (Vertical) DIP TYPE				
PART NO.	KExx51x2xxxxG			DWG NO.	8KE0208	
APPROVED	CHECKED	DESIGNED	DRAWN	CUST NO.	Tolerance	
		Chen Bo	Chen Bo		UNIT: mm	X. ±0.50
		03/29'12	03/29'12		SCALE: NONE	X.X ±0.30
					REV.: C	X.XX ±0.10
				SHEET: 01/01	X° ±1°	