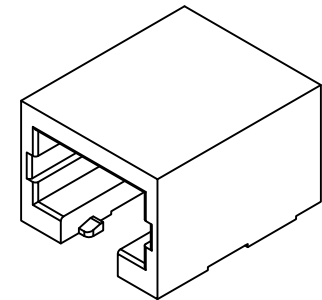


RECOMMENDED PCB LAYOUT
AS VIEWED FROM COMPONENT SIDE



Specification 规格:

Electrical 电气规格:

Voltage Rating 电压额定值: 125 V AC (RMS)
 Current Rating 电流额定值: 1.5 Amp
 Contact Resistance 接触电阻值: 35mΩ Max.
 Insulation Resistance 绝缘电阻值: 1000MΩ Min. @ 500 VDC
 Dielectric Strength 电介质强度: 1000 VAC RMS 60Hz, 1 Min.

Material 物料规格:

Housing Material 塑胶外壳: High Temp Nylon UL94V-0, Black
 Contact Material 端子材料: Phosphor Bronze 0.35mm Thickness
 Plating 电镀规格: Gold Plating over Nickel
 Operating Life 使用寿命: 750 Cycles Min.
 PCB Retention Force After Solder 焊接后保持力: 10 LBS Min.

Environmental 环境的:

Storage Temperature 储存温度: -40°C to +85°C
 Operation Temperature 使用温度: -40°C to +85°C

Ordering Grid

MJ3405 - 88 - X Request Samples and Quotation

No. of Positions/
Positions Loaded
88 = 8/8

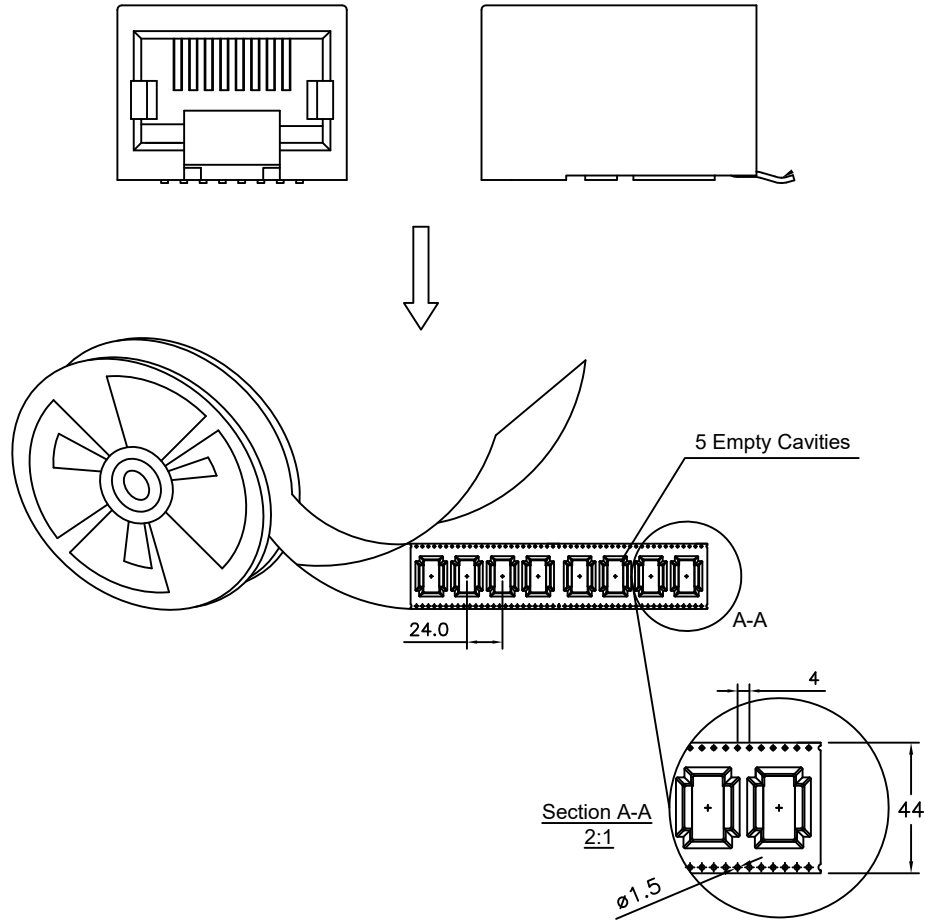
Contact Plating
2 = 6μ" Gold (Standard)
4 = 30μ" Gold

Part Number		Product Description		GCT www.gct.co
MJ3405 - 8 Position		Modular Jack Connector, 8 Position, Category 3, Right Angle SMT, With Inside Solder Tab, Standard Latch		
Drawing Date		12th May 2010		 This drawing is confidential and copyright of Global Connector Technology, Ltd (GCT). This drawing must not be copied or disclosed without written consent. E & OE
By	AJO	Tolerances (Except as Noted)	Units:	
Detail	MJ3405-8 B PCN	Length X.X ± 0.20 X.XX ± 0.15 X.XXX ± 0.10	Metric (mm)	
Revision	B	Angle ± 5°		
Date	15/06/12			Not to Scale
				Drawn By PKN
				Sheet No. 1/2

1. Packing Material 包材 - Tape Reel

Quantity 數量 - 1*150=150 PCS

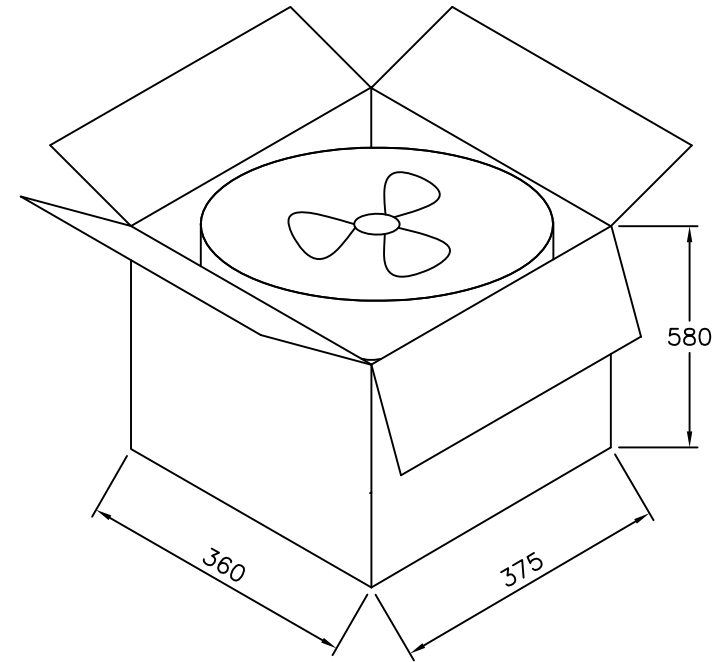
Tape Reel 卷帶 - Width 44 * 0.5mm * Pitch 24mm = Total Length 4.12m
 Reel 卷盤 - ø330mm






2. Packing Material 包材 - Carton 1 PC

Quantity 數量 - 150*10=1500 PCS

Part Number 零部件料号	Net Weight 淨重	Gross Weight 毛重	Q'TY 數量
MJ3405-88-X	10.50Kg	11.16Kg	1500



Part Number MJ3405 - 8 Position		Product Description Modular Jack Connector, 8 Position, Category 3, Right Angle SMT, With Inside Solder Tab, Standard Latch		 www.gct.co
Drawing Date 12th May 2010				
By AJO	Detail MJ3405-8 B PCN	Tolerances (Except as Noted) Length	Angle	This drawing is confidential and copyright of Global Connector Technology, Ltd (GCT). This drawing must not be copied or disclosed without written consent. E & OE
Revision B	Date 15/06/12	Units: Metric (mm)		
		 3rd Angle Projection		
		 RoHS COMPLIANT 2011/65/EU Deca-SDE		© Not to Scale Drawn By PKN Sheet No. 2/2