

V9 XX 5 1 X 0 XXXX G

No. OF POLES
 02: 2 POLES
 03: 3 POLES

24: 24 POLES

- COLOR
- 0 Black (RAL 9005)
 - 1 Red (RAL 3001/D)
 - 2 Red (RAL 3001/D)
 - 3 Orange(RAL 2011/P)
 - 4 Yellow(RAL 1018/A)
 - 5 Green(RAL 6018/T)
 - 6 Blue (RAL 5015/A)
 - 8 Grey(RAL 7035/D)
 - 9 White(RAL 1102)
 - C Green(RAL6018/U)

RoHS compliant
 (lead<4%)
 In copper Alloy

0000: "®" Logo (Standard)
 000A: "ANYTEK" Mark
 Any special item by
 customer request.

SIGN	DATE	DESCRIPTION	APPROVER
△	11/09'11	Add is cULus	Aaron
△	11/09'11	The Dim C is added	Aaron
△	01/21-16	Update the drawing & Add the 2P view	Evan

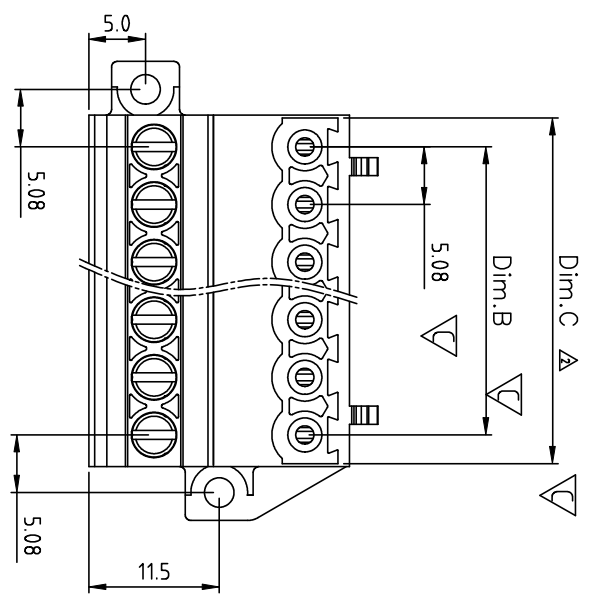
THIS IS CAD DRAWING, DO NOT REVISE MANUALLY!!!!

△ Material:

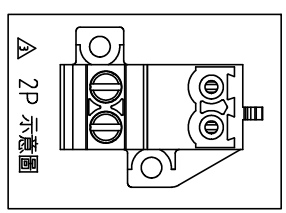
- Item ③ Clamp: Brass Ni plated
- Item ④ Terminal (housing): Thermoplastic (UL94V-0)
- Item ① Terminal (Cover): Thermoplastic (UL94V-0)
- Item ② Male contact: PhBz Bright Tin plated over Nickel plated
- Item ⑤ Terminal screw: Steel Zinc plating " - " slot type

Electrical: cULus

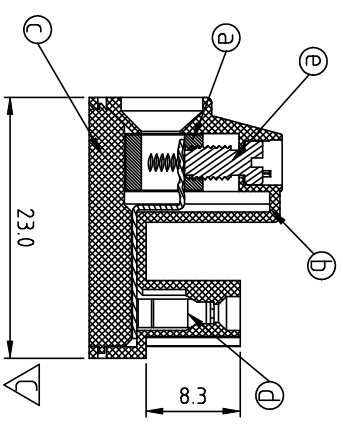
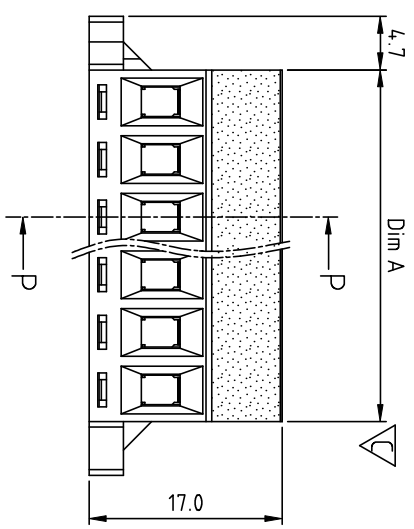
- Voltage rating: 300V
- Current rating: 12A
- Wire range:
- Solid wire(AWG):12-30
- Stranded wire(AWG):12-30
- Torque: 5.2 Lb-in.
- Screw: M3
- Wire strip length:6-7 mm
- Withstanding Voltage:1.6KV
- Operating temperature:-40°C to +115°C
- Safety Approval: **UL**
- Critical dimension: **▽**



3P-24P卡勾位置示意图



△ 2P 示意图



SECTION P-P

Dimension

Dim.A	(N-1) × 5.08+5.6
Dim.B	(N-1) × 5.08
Dim.C	N × 5.08

N=Number of poles

Poles	Tolerance
2P - 6P	±0.15
7P - 12P	±0.20
13P - 18P	±0.30
19P - 24P	±0.40

ANYTEK

CUSTOMER COPY

ALL RIGHTS RESERVED. REPRODUCTION OR ISSUE TO THIRD PARTIES IN ANY FORM WHATSOEVER IS NOT PERMITTED WITHOUT WRITTEN AUTHORITY FROM THE PROPRIETOR. PROPERTY OF ANYTEK TECHNOLOGY CO., LTD.

TITLE		V9 -5.08 mm Series 2P-24P W/O Flange (Bottom cover fixed type)	
PART NO.	V9xx51x0xxxxG	DWG NO.	8Y90006
APPROVED	CHECKED	DESIGNED	DRAWN
	Evan	02/15-16	Jackie
SHEET: 01/01		REV.: D	
Tolerance		UNIT: mm	X
		SCALE: NONE	X.X
		REV.: D	X.XX
			X°
			±0.50
			±0.30
			±0.10
			±1°