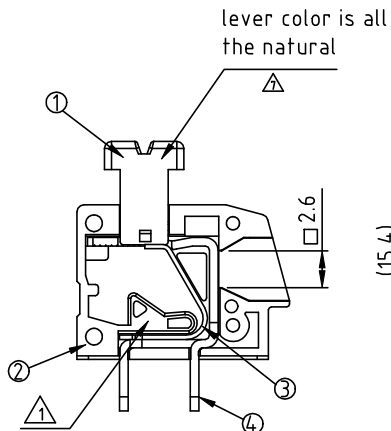
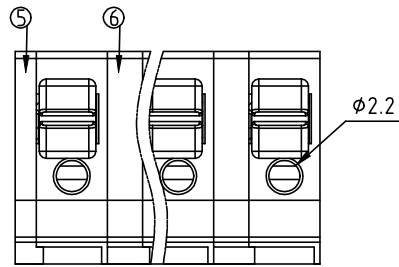
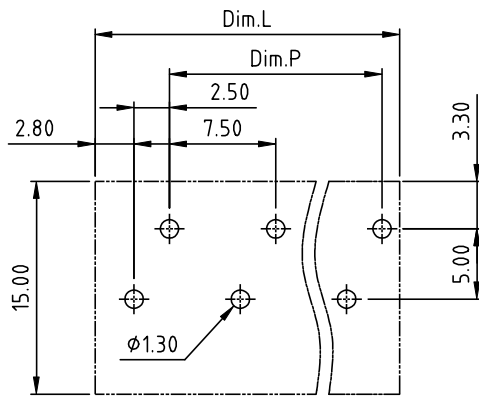
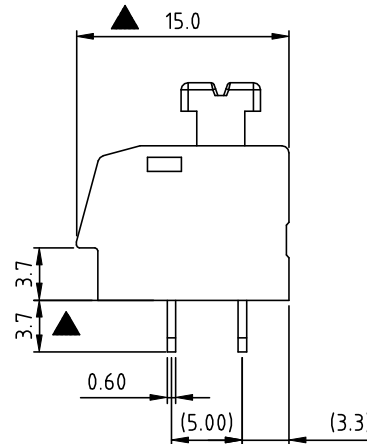
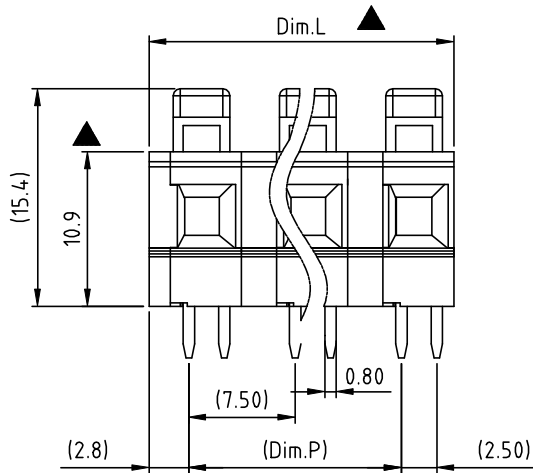


RoHS Compliant



lever color is all the natural



PCB Layout TOP VIEW

N = Number of poles
 Dim L = N x 7.5 - 1.0
 Dim P = (N - 1) x 7.5

	Dim L
2-6p	±0.15
7-12p	±0.25
13-16p	±0.40



Rev.	SIGN	DATE	DESCRIPTION	APPROVER
C	△	08/13'12	structure design is changed	Dacheng
D	△	08/25'12	Changed from 250°C±10°/5 Sec to 260°C±5°C/5 Sec	Dacheng
E	△	11/18'19	Add the Rohs complian&Amphenol Logo.	Guoxue
	△	11/18'19	Delete VDE& Add the Color code.	Guoxue
	△	11/18'19	Add the "Wave Soldering temperature: 260°C ±5°C/5 Sec"	Guoxue
	△	11/18'19	Delete the "Dim.P"	Guoxue
△	11/18'19	Add the lever color.	Guoxue	

THIS IS CAD DRAWING, DO NOT REVISE MANUALLY!!!

- Material:
- Item ① Terminal lever: Thermoplastic (UL94V-0)
 - Item ② Terminal housing: Thermoplastic (UL94V-0)
 - Item ③ Spring clamp: Stainless steel
 - Item ④ Solder pin: Brass. Tin plated
 - Item ⑤ Terminal cover: Thermoplastic (UL94V-0)
 - Item ⑥ Terminal pad board : Thermoplastic (UL94V-0)

- Electrical: cULus △
- Voltage rating: 300 V
 - Current rating: 11 A
 - Wire range:
 - Solid wire(AWG): 12-20
 - Stranded wire(AWG): 12-20
 - Wire strip length: 10-11 mm
 - Withstanding Voltage: 1.6KV
 - Operating temperature: -40°C to +115°C
 - △ ● Wave Soldering temperature: 260°C ±5°C/5 Sec
 - Safety Approval: cULus
 - Critical dimension: ▲
 - Reference dimension: (×)The dimensions of pitch are just for reference,take the actual assembly result as a judgment when inserting the terminal block into the PCB hole.

H6 xx 10 x 0 xxxx G

No. OF POLES
 02: 2 POLES
 16: 16 POLES

COLOR △

- 0 Black (RAL9005)
- 2 Red (RAL3001/D)
- 3 Orange(RAL2011/P)
- 4 Yellow(RAL1018/A)
- 5 Green(RAL6018/T)
- 6 Blue (RAL5015/A)
- 8 Grey(RAL7035/D)
- 9 White (RAL1102)
- c Green(RAL6018/U)

G: RoHs compliant (lead<4%) In copper Alloy

1000: "@ " Logo (Standard)
 100A: "ANYTEK" Mark
 Any special item by customer request.
 please contact sales department.

Amphenol ANYTEK

CUSTOMER COPY

ALL RIGHTS RESERVED. REPRODUCTION OR ISSUE TO THIRD PARTIES IN ANY FORM WHATSOEVER IS NOT PERMITTED WITHOUT WRITTEN AUTHORITY FROM THE PROPRIETOR. PROPERTY OF ANYTEK TECHNOLOGY CO., LTD

TITLE				H6 7.5mm Series (Square hloe)			
PART NO.		H6xx10x0xxxxG		DWG NO.		8H60501	
APPROVED	CHECKED	DESIGNED	DRAWN	CUST NO.		Tolerance	
		Guoxue 2019.11.18	Guoxue 2019.11.18	UNIT: mm SCALE: NONE		X. ±0.50	
SHEET: 01/01						REV.: E	