

Specifications for

Blanview TFT-LCD Monitor

(3.5" QVGA 240 x RGB x 320 Portrait)

Version 1.0

(Please be sure to check the specifications latest version.)

MODEL COM35H3R08ULC

Customer's Approval

Signature :

Name :

Section :

Title :

Date :

ORTUSTECH

TOPPAN INC.
Electronics Division
Technological Development Department III



Approved by

S. Epuchi

Checked by

J. Matsuzaki

Prepared by

M. Tojo

Version History

Ver.	Date	Page	Description	
0.0	Oct.18,2022	-	-	Tentative issue
0.1 △ ×3	Mar.3,2023	P.13	Correct	8. Switching waveform Error correct
		P.14	Correct	9.1 Input Timing Characteristics Rating
		P.16	Correct	9.3 Example of Driving Timing Chart (fCLK=5.6MHz) Example of Driving Timing Chart
1.0 △ ×5	Sep.4,2023	--	--	First issue
		P.1		Cover
			Change	Department name
		P.11	Correct	5. Absolute Maximum Rating Condition
		P.12	Add	7.1 DC Characteristics Operating Current
		P.22	Add	15.1 Defective Display and Screen Quality Signal condition
			Correct	Notation
		P.24	Add	16. Reliability Test number of failures / number of examinations Applied voltage (Surface discharge test)

Contents

1. Application	4
2. Outline Specifications		
2.1 Features of the Product	5
2.2 Display Method	5
3. Dimensions and Shape		
3.1 Dimensions	7
3.2 Outward Form	8
3.3 Serial Label (S-label)	9
4. Pin Assignment	10
5. Absolute Maximum Rating	11
6. Recommended Operating Conditions	11
7. Electrical Characteristics		
7.1 DC Characteristics	12
7.2 AC Characteristics	12
8. Switching waveform	13
9. Input Timing	
9.1 Input Timing Characteristics	14
9.2 Driving Timing Chart	15
9.3 Example of Driving Timing Chart	16
10. Power ON/OFF sequence	17
11. Display ON/OFF sequence	18
12. Reset sequence	18
13. LED Circuit	19
14. Characteristics		
14.1 Optical Characteristics	20
14.2 Temperature Characteristics	21
15. Criteria of Judgment		
15.1 Defective Display and Screen Quality	22
15.2 Screen and Other Appearance	23
16. Reliability Test	24
17. Packing Specifications	26
18. Handling Instruction		
18.1 Cautions for Handling LCD panels	27
18.2 Precautions for Handling	28
18.3 Precautions for Operation	28
18.4 Storage Condition for Shipping Cartons	29
18.5 Precautions for Peeling off the Protective film	30
18.6 Warranty	30
APPENDIX	31

1. Application

This Specification is applicable to 89.4mm (3.5 inch) Blanview TFT-LCD monitor for non-military use.

- ◎ TOPPAN makes no warranty or assume no liability that use of this Product and/or any information including drawings in this Specification by Purchaser is not infringing any patent or other intellectual property rights owned by third parties, and TOPPAN shall not grant to Purchaser any right to use any patent or other intellectual property rights owned by third parties. Since this Specification contains TOPPAN's confidential information and copy right, Purchaser shall use them with high degree of care to prevent any unauthorized use, disclosure, duplication, publication or dissemination of TOPPAN's confidential information and copy right.
- ◎ If Purchaser intends to use this Products for an application which requires higher level of reliability and/or safety in functionality and/or accuracy such as transport equipment (aircraft, train, automobile, etc.), disaster-prevention/security equipment or various safety equipment, Purchaser shall consult TOPPAN on such use in advance.
- ◎ This Product shall not be used for application which requires extremely higher level of reliability and/or safety such as aerospace equipment, telecommunication equipment for trunk lines, control equipment for nuclear facilities or life-support medical equipment.
- ◎ It must be noted as an mechanical design manner, especial attention in housing design to prevent arcuation/flexure caused by stress to the LCD module shall be considered.
- ◎ TOPPAN assumes no liability for any damage resulting from misuse, abuse, and/or miss-operation of the Product deviating from the operating conditions and precautions described in the Specification.
- ◎ It shall be mutually conferred if nonconforming defect which result from unspecified cause in this specification arises.
- ◎ If any issue arises as to information provided in this Specification or any other information, TOPPAN and Purchaser shall discuss them in good faith and seek solution.
- ◎ TOPPAN assumes no liability for defects such as electrostatic discharge failure occurred during peeling off the protective film or Purchaser's assembly process.
- ◎ This Product is compatible for RoHS(2.0) directive.

Object substance	Maximum content [ppm]
Cadmium and its compound	100
Hexavalent Chromium Compound	1000
Lead & Lead compound	1000
Mercury & Mercury compound	1000
Polybrominated biphenyl series (PBB series)	1000
Polybrominated biphenyl ether series (PBDE series)	1000
Bis(2-ethylhexyl)phthalate series(DEHP series)	1000
Butyl benzyl phthalate series(BBP series)	1000
Dibutyl phthalate series(DBP series)	1000
Diisobutyl phthalate series(DIBP series)	1000

2. Outline Specifications

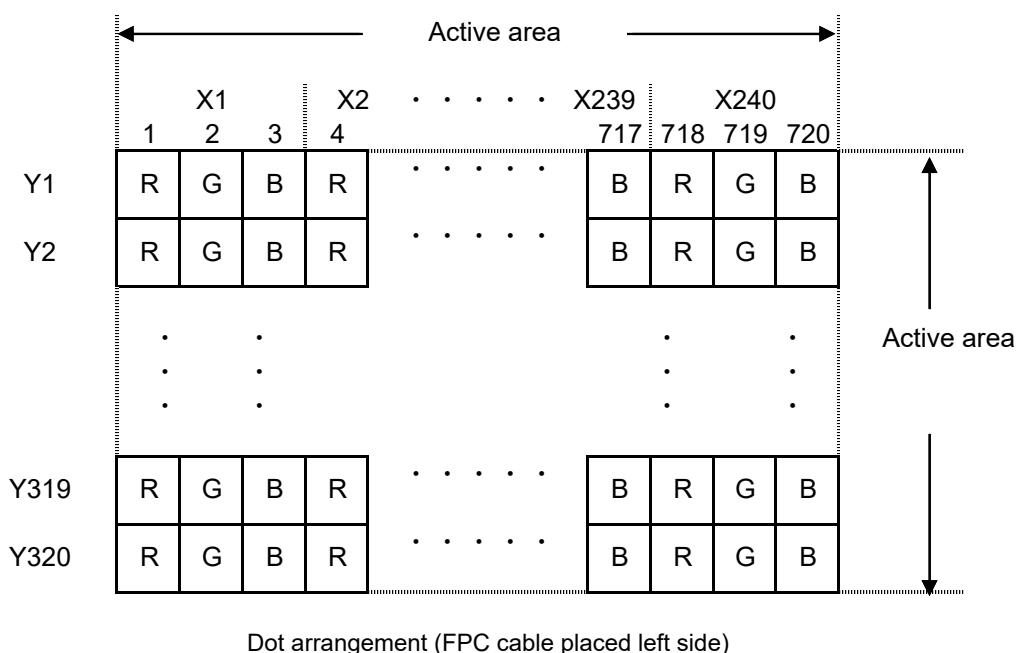
2.1 Features of the Product

- 3.5 inch diagonal display, 720 [H] x 320 [V] dots. 240RGB x 320 pixel.
- 6-bit / 262,144 colors.
- Single power supply operation of 3.0V.
- Timing generator [TG], Counter-electrode driving circuitry, Built-in power supply circuit.
- Long life & High bright white LED back-light.
- Blanview TFT-LCD, improved outdoor readability.

	Indoor		Outdoor	
	Readability	Power Efficiency (Battery Life)	Readability	Power Efficiency (Battery Life)
Transmissive	Good	Good	Fair	Poor
Transflective	Fair	Poor	Good	Good
Blanview	Good	Good	Good	Good

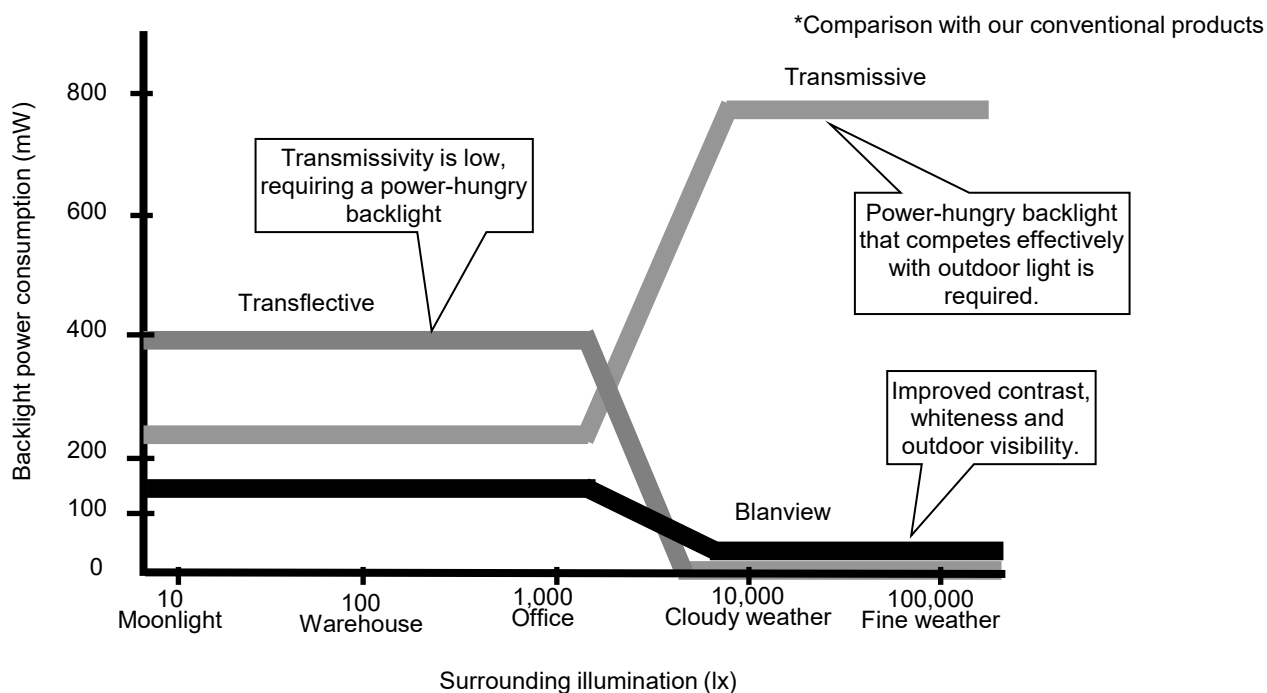
2.2 Display Method

Items	Specifications	Remarks
Display type	VA type 262,144 colors Blanview, Normally Black.	
Driving method	a-Si TFT Active matrix Line-scanning, Non-interlace	
Dot arrangement	RGB stripe arrangement	Refer to "Dot arrangement"
Input signal type	6-bit RGB, parallel input.	
Backlight	Long life & High bright white LED.	
NTSC ratio	50%	



<Features of Blanview>

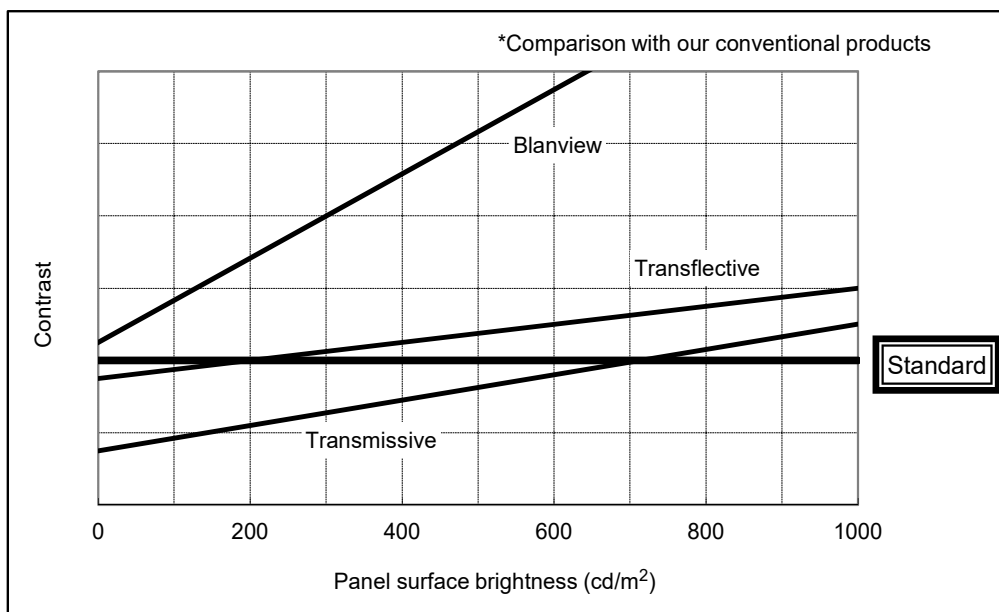
- Backlight power consumption required to assure visibility.



- Contrast characteristics under 100,000lx. (same condition as direct sunlight.)

With better contrast (higher contrast ratio), Blanview TFT-LCD has the best outdoor readability in three different types of TFT-LCD.

Below chart shows contrast value against panel surface brightness. (Horizontal: Panel surface brightness/ Vertical: Contrast value) LCD panel has enough outdoor readability above our Standard line. (TOPPAN criteria)



3. Dimensions and Shape

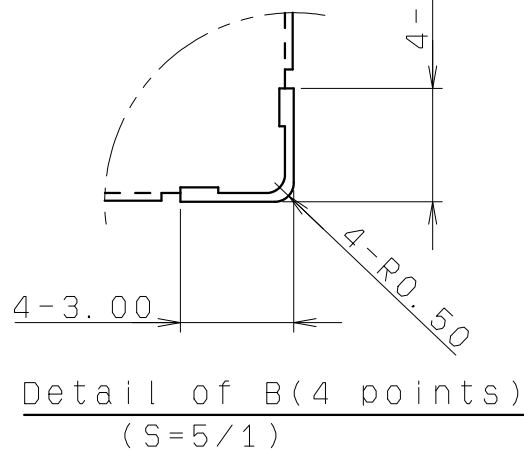
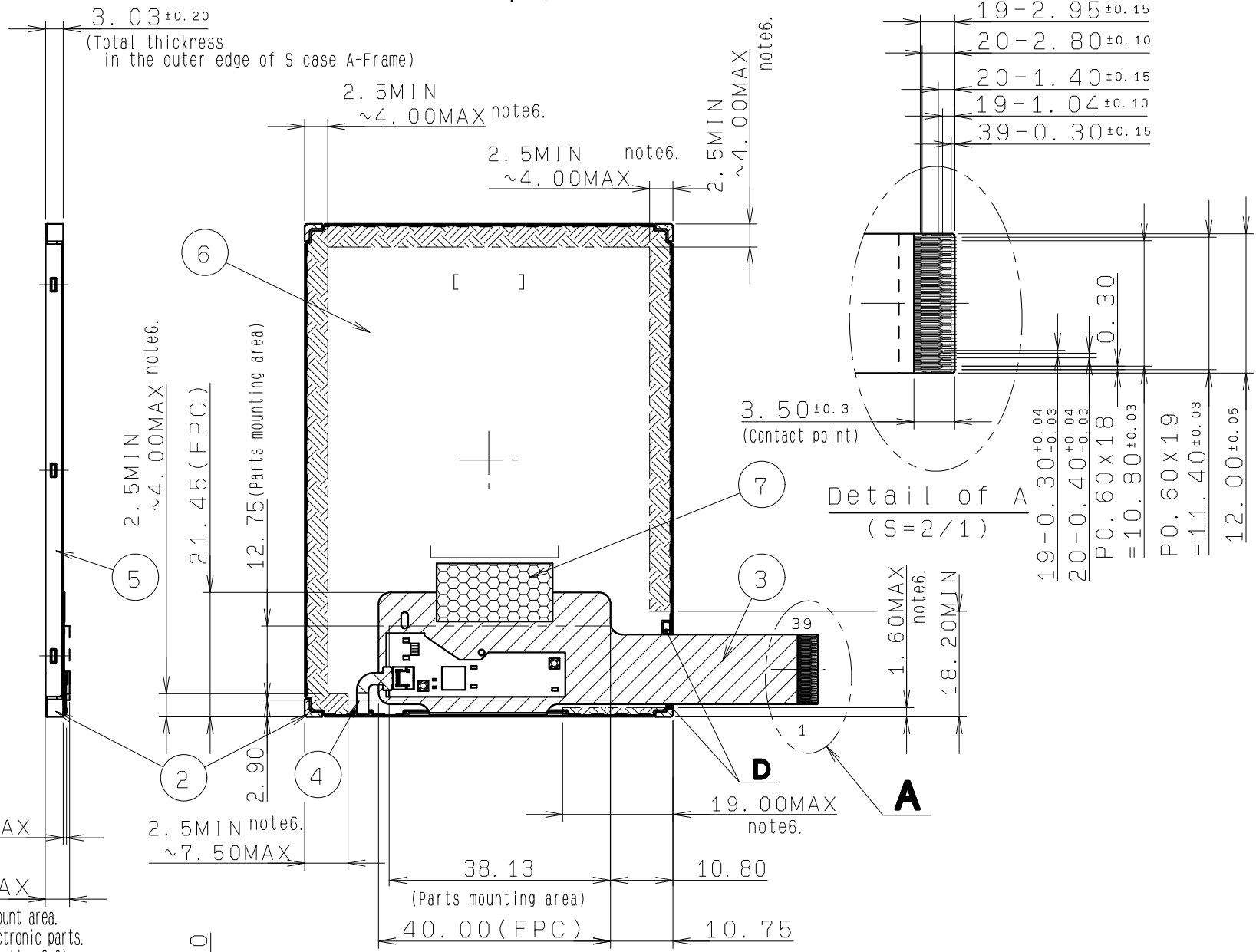
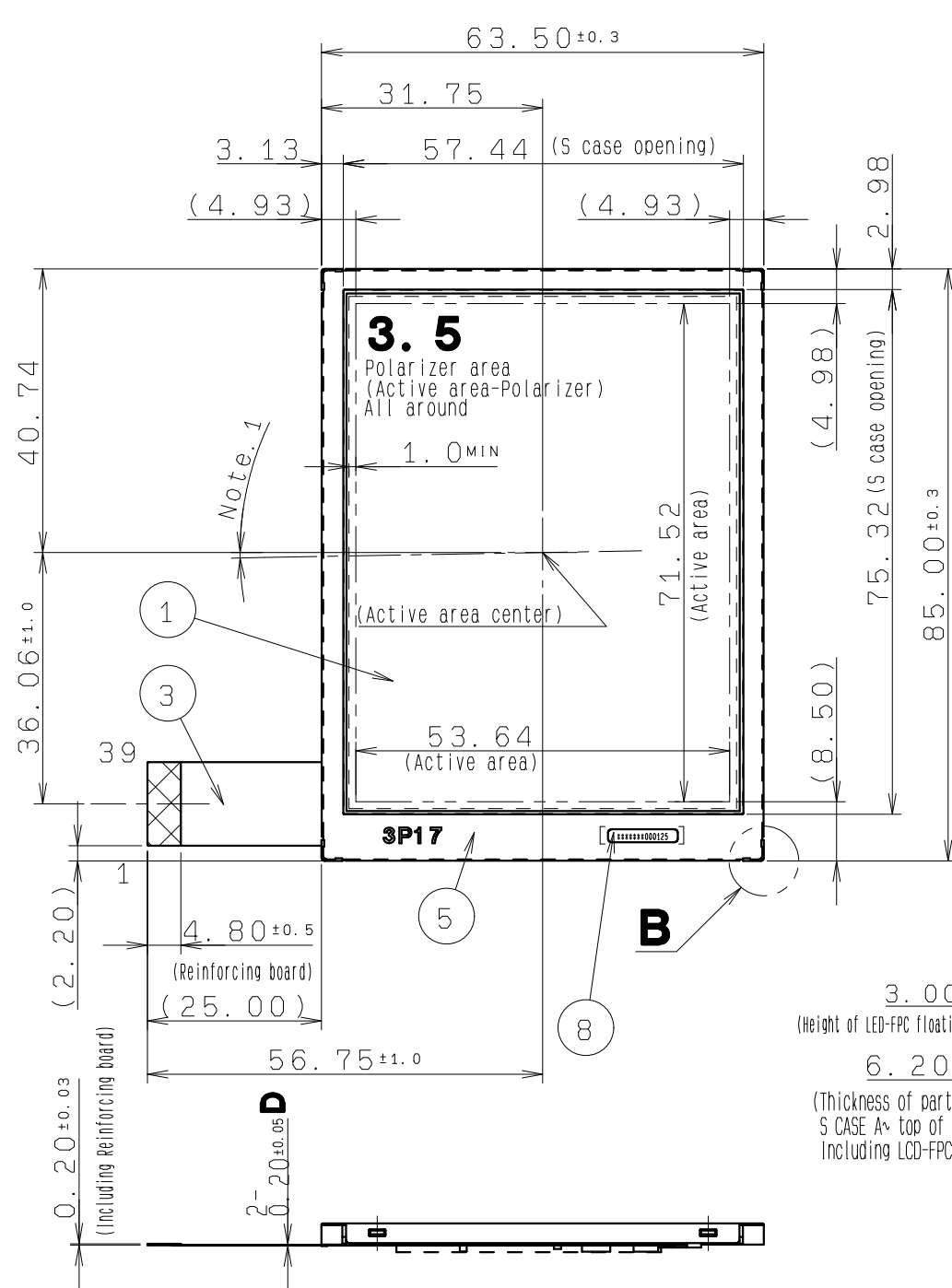
3.1 Dimensions

Items	Specifications	Unit	Remarks
Monitor outline dimensions	63.5[H] × 85.0[V] × 3.03[D]	mm	Exclude FPC cable and parts on FPC.
Active area	53.64[H] × 71.52[V]	mm	89.40mm diagonal
Number of dots	720[H] × 320[V]	dot	
Dot pitch	74.5[H] × 223.5[V]	μ m	
Surface hardness of the polarizer	2	H	
Weight	33.0	g	Include FPC cable

3.2 Outward Form

(8/33)
22TLM065
Issue:Sep.4,2023

EC No.	REV. No.	REVISE	DATE (Y:M:D)	APPROVED	CHECKED	PREPARED
###			##:##:##	##	##	



- Note 1. Angular deviation of LCD cell from the TFT-LCD monitor's reference axis shall be less than [±40'].
- Note 2. S label is affixed the area shown in the drawing. The thickness of the S label will be added to that of S case's surface.
- Note 3. Recommended FPC connectors For LCD : HIROSE, part number: FH23-39S-0.3SHW(05)
- Note 4. Protective film is affixed on front surface of the screen. Location tolerance of the protective film shall be ±1.5 mm to the polarizing film.
- Note 5. Refer to "15. CRITERIA JUDGMENT" about the appearance specification of a polarizer.
- Note 6. In case TFT-LCD monitor is fixed to the case of your product, it's recommended that monitor is fixed in to [hatched] area.

S LABEL	8			(10x1.85x0.075t)
I-TAPE	7			
S CASE C	6		SUS	
S CASE A	5		SUS	
FPC B	4			Use for LED
FPC A	3			Use for LCD
FRAME	2		PC	
LCD	1			Glass substrate thickness=0.5t
PART NAME	ITEM	PART CODE	MODEL NUMBER	REMARK

APPROVED 木下大輔	GENERAL TOLERANCE ±0.5	SCALE 1/1	UNIT mm	TOPPAN TOPPAN INC. DO NOT DUPLICATE, CONFIDENTIAL AND PROPRIETARY
CHECKED 加藤真一	ISSUE (Y:M:D) 23:08:03	MODEL COM35H3R08U**		
CHECKED	NAME			
DESIGN 富田恵太				
DRAW 富田恵太	OUTLINE-D3R08			DRAWING No. RJD604158D301
				REV. SHEET DIV. # /

3.3 Serial Label (S-label)

3.3.1 Display items

S-label indicates the least significant digit of manufacture year (1digit), manufacture month with below alphabet (1letter), model code (5characters), serial number (6digits).

* Contents of Display

*	*	*****	*****
-	-	-----	-----
a	b	c	d

Contents of display				
a	The least significant digit of manufacture year			
b	Manufacture month	Jan-A Feb-B Mar-C Apr-D	May-E Jun-F Jul-G Aug-H	Sep-I Oct-J Nov-K Dec-L
c	Model code	35RQC (Made in Japan) 35RRC (Made in Malaysia)		
d	Serial number			

* Example of indication of Serial label (S-label)

- Made in Japan

2L35RQC000125

means "manufactured in December 2022, 3.5" RQ type, C specifications, serial number 000125"

- Made in Malaysia

2L35RRC000125

means "manufactured in December 2022, 3.5" RR type, C specifications, serial number 000125"

3.3.2 Location of Serial Label (S-label)

Refer to 3.2 "Outward Form".

4. Pin Assignment

No.	Symbol	Functions	IO
1	VSS	Ground	P
2	VSS	Ground	P
3	VDD	Power supply	P
4	VDD	Power supply	P
5	VSS	Ground	P
6	RESETB	Reset signal. When RESETB is Lo, an internal reset is performed.	I
7	HSYNC	Horizontal sync signal input. (Low active)	I
8	VSYNC	Vertical sync signal input. (Low active)	I
9	CLK	Clock signal for data latching and internal counter of the timing controller	I
10	VSS	Ground	P
11	D00	Display data(B) 00h: Black D00:LSB D05:MSB Driver has internal gamma conversion.	I
12	D01		I
13	D02		I
14	D03		I
15	D04		I
16	D05		I
17	D10	Display data(G) 00h: Black D10:LSB D15:MSB Driver has internal gamma conversion.	I
18	D11		I
19	D12		I
20	D13		I
21	D14		I
22	D15		I
23	D20	Display data(R) 00h: Black D20:LSB D25:MSB Driver has internal gamma conversion.	I
24	D21		I
25	D22		I
26	D23		I
27	D24		I
28	D25		I
29	VSS	Ground	P
30	DE	Input data effective signal. (It is effective for the period of "H")	I
31	STBYB	Standby signal (Lo:Standby operation,Hi:Normal operation)	I
32	TEST1	Connect to Ground.	I
33	NC	Open	-
34	NC	Open	-
35	NC	Open	-
36	NC	Open	-
37	TEST2	Connect to Ground.	I
38	BLH	LED drive power source (Anode side)	P
39	BLL	LED drive power source (Cathode side)	P

- Recommended connector: HIROSE ELECTRIC FH23 series [FH23-39S-0.3SHW(05)]
- Please refer to the section "3.2 Outward Form" for pin assignment.
- Since FPC cable has gold plated terminals, gilt finish contact shoe connector is recommended.



5. Absolute Maximum Rating

VSS=0V

Item	Symbol	Condition	Rating		Unit	Applicable terminal
			MIN	MAX		
Supply voltage	VDD		-0.3	4.6	V	VDD
Input voltage for logic	VI		-0.3	VDD+0.3	V	CLK, VSYNC, HSYNC, DE D[05:00], D[15:10], D[25:20] STBYB, RESETB TEST1, TEST2
LED forward current	IL	Ta = 25 °C	—	35	mA	BLH - BLL
		Ta = 70 °C	—	15		
Storage temperature range	Tstg		-30	80	°C	
Storage humidity range	Hstg	Non condensing in an environmental moisture at or less than 40 °C 90%RH			%	

6. Recommended Operating Conditions

VSS=0V

Item	Symbol	Condition	Rating			Unit	Applicable terminal
			MIN	TYP	MAX		
Supply voltage	VDD		2.7	3.0	3.6	V	VDD
Input voltage for logic	VI		0	—	VDD	V	CLK, VSYNC, HSYNC DE, D[05:00] D[15:10], D[25:20] STBYB, RESETB TEST1, TEST2
Operational temperature range Note 1	Top	Note 1,2	-20	+25	+70	°C	Surface of panel
Operating humidity range	Hop	Ta ≤ 40 °C	20	—	85	%	
		Ta > 40 °C	Non condensing in an environmental moisture at or less than 40 °C 85%RH.				

Note 1: This monitor is operable in this temperature range. With regard to optical characteristics, refer to Item "14. Characteristics".

Note 2: Acceptable Forward Current to LED is up to 15mA, when Ta=+70 °C.
Do not exceed Allowable Forward Current shown on the chart below.

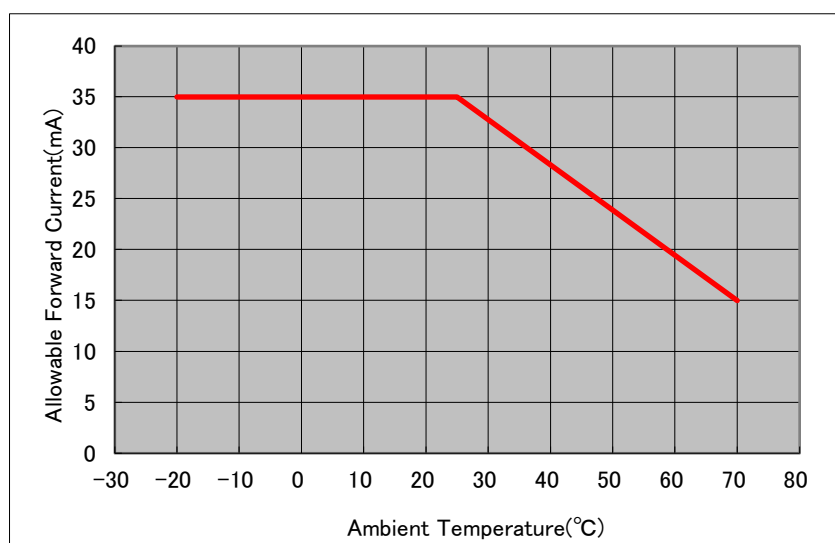


Fig. 1: Allowable Forward Current

7. Electrical Characteristics

7.1 DC Characteristics

7.1.1 Display section

(Unless otherwise noted, $T_a=25^\circ\text{C}$, $V_{DD}=3.0\text{V}$, $V_{SS}=0\text{V}$)

Item	Symbol	Condition	Rating			Unit	Applicable terminals
			MIN	TYP	MAX		
Input voltage for logic	VIH		$0.7 \times V_{DD}$	—	VDD	V	CLK,VSYNC,HSYNC DE,STBYB,RESETB D[05:00],D[15:10],D[25:20] TEST1,TEST2
	VIL		0	—	$0.3 \times V_{DD}$	V	
Operating Current	IDD	fCLK=5.6MHz Color bar display	—	7.5	15.0	mA	VDD

7.1.2 Backlight section

Item	Symbol	Condition	Rating			Unit	Applicable terminal
			MIN	TYP	MAX		
Forward current	IL25	$T_a=25^\circ\text{C}$	—	6.5	35.0	mA	BLH - BLL (Reference Value)
	IL70	$T_a=70^\circ\text{C}$	—	—	15.0	mA	
Forward voltage	VL	$T_a=25^\circ\text{C}$, IL=6.5mA	—	16.0	16.7	V	
Estimated Life of LED	LL	$T_a=25^\circ\text{C}$, IL=6.5mA Note	—	50,000	—	hrs	

Note: - The lifetime of the LED is defined as a period till the brightness of the LED decreases to the half of its initial value.

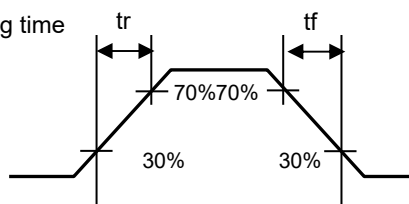
- This figure is given as a reference purpose only, and not as a guarantee.
- This figure is estimated for an LED operating alone.
As the performance of an LED may differ when assembled as a monitor.
- Estimated lifetime could vary on a different temperature and usually higher temperature could reduce the life significantly.

7.2 AC Characteristics

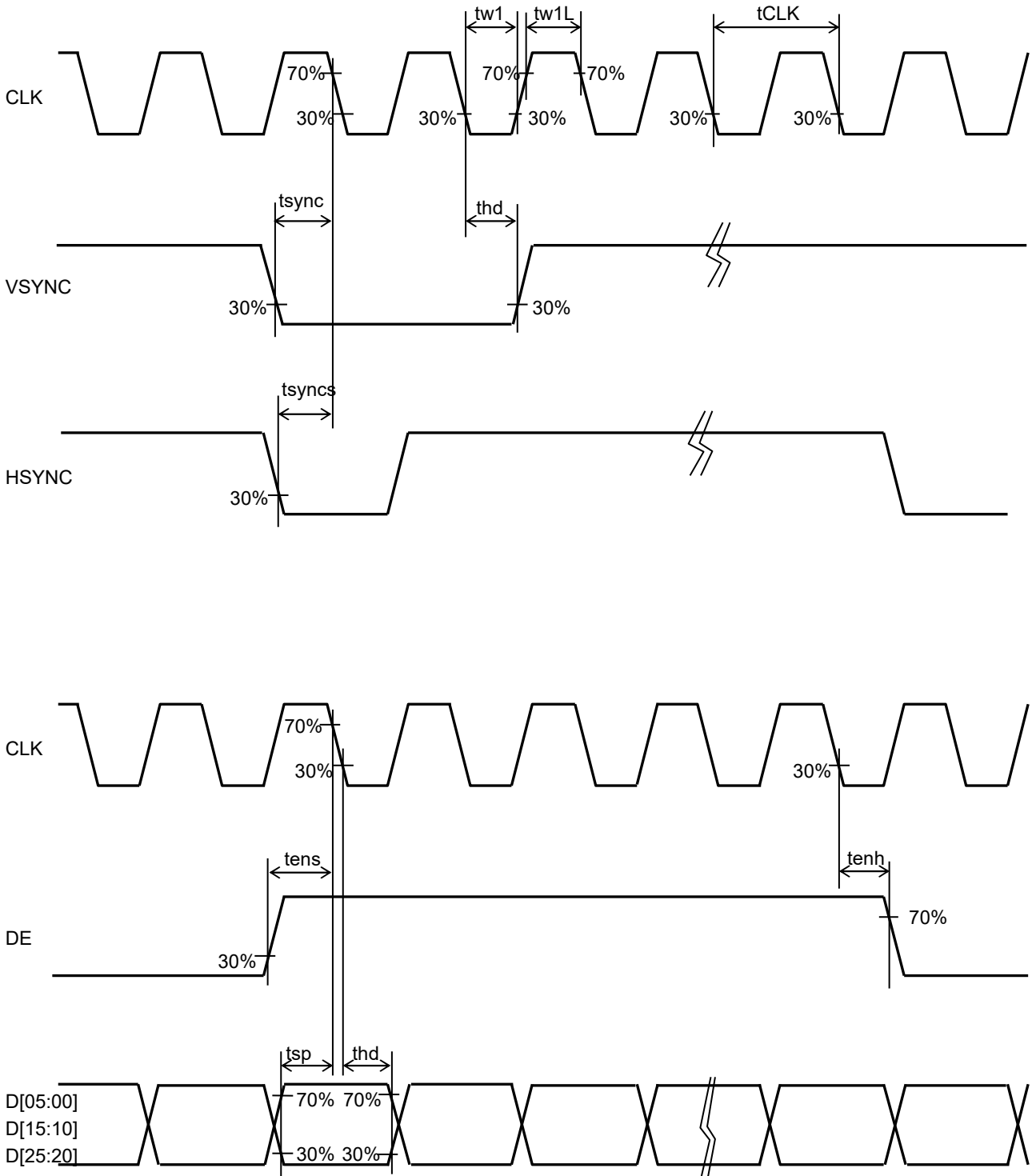
(Unless otherwise noted, $T_a=25^\circ\text{C}$, $V_{DD}=3.0\text{V}$, $V_{SS}=0\text{V}$)

Item	Symbol	Condition	Rating			Unit	Applicable terminal
			MIN	TYP	MAX		
Clock frequency	fCLK		4.4	5.6	7.0	MHz	CLK
Clock Low period	tw1L	$0.3 \times V_{DD}$ or less	60	—	—	ns	CLK
Clock High period	tw1H	$0.7 \times V_{DD}$ or more	60	—	—	ns	CLK
VSYNC, HSYNC setup time			30	—	—	ns	CLK,VSYNC,HSYNC
DE set up time	tens		25	—	—		CLK,DE
DE hold time	tenh		25	—	—		
Setup time	tsp		50	—	—	ns	CLK,
Hold time	thd		50	—	—	ns	D[05:00],D[15:10],D[25:20]
Signal rising time	tr		—	—	15	ns	CLK,VSYNC,HSYNC,DE,
Signal falling time	tf		—	—	15	ns	D[05:00],D[15:10],D[25:20]

Signal rising and falling time



8. Switching waveform



9. Input Timing

9.1 Input Timing Characteristics

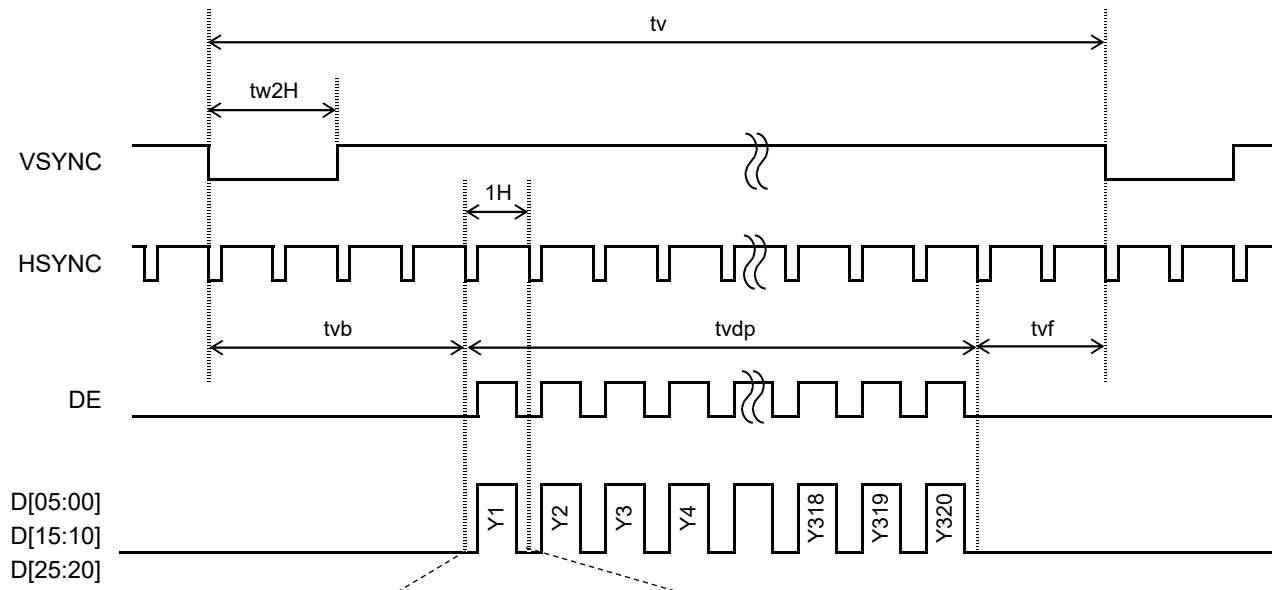
(Unless otherwise noted, Ta=25 °C,VDD=3.0V,VSS=0V)

Item	Symbol	Rating			Unit	Applicable terminals
		MIN	TYP	MAX		
CLK frequency	fCLK	4.4	5.6	7.0	MHz	CLK
VSYNC frequency	Note1 fVSYNC	54	60	66	Hz	VSYNC
VSYNC signal cycle time	tv	326	326	—	H	VSYNC,HSYNC
VSYNC pulse width	tw2H	2	2	tvb-2	H	
Vartical back porch	tvb	4	4	127	H	VSYNC,HSYNC, D[05:00],D[15:10],D[25:20]
Vartical front porch	tvf	2	2	—	H	
Vartical display period	tvdp	—	320	—	H	
HSYNC frequency	fHSYNC	—	19.5	—	kHz	HSYNC
HSYNC signal cycle time	th	262	287	—	CLK	HSYNC,CLK
HSYNC pulse width	tw3H	2	2	thb-4	CLK	
Horizontal back porch	thb	20	20	31	CLK	CLK,HSYNC, D[05:00],D[15:10],D[25:20]
Horizontal front porch	thf	2	27	—	CLK	
DE pulse width	tw4H	—	240	—	CLK	
Horizontal display period	thdp	—	240	—	CLK	
Horizontal display period	thdp	—	240	—	CLK	DE,CLK
Horizontal display period	thdp	—	240	—	CLK	CLK D[05:00],D[15:10],D[25:20]

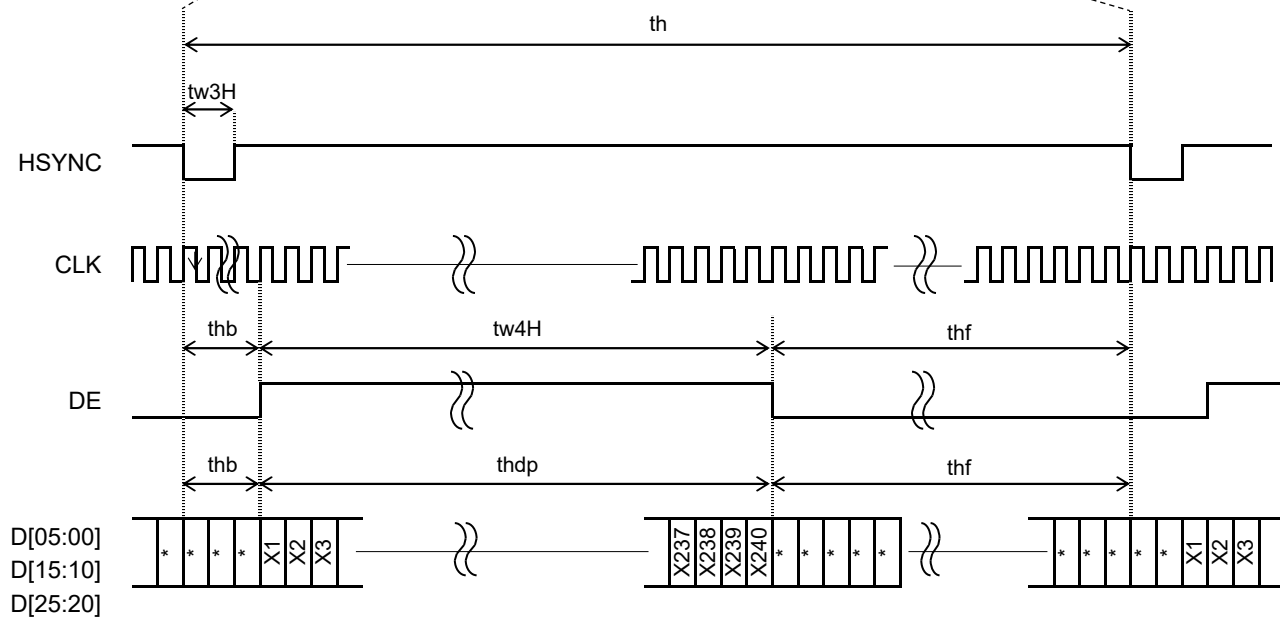
Note 1: This is recommended spec to get high quality picture on display. It is customer's risk to use out of this frequency.

9.2 Driving Timing Chart

I. Vertical Timing

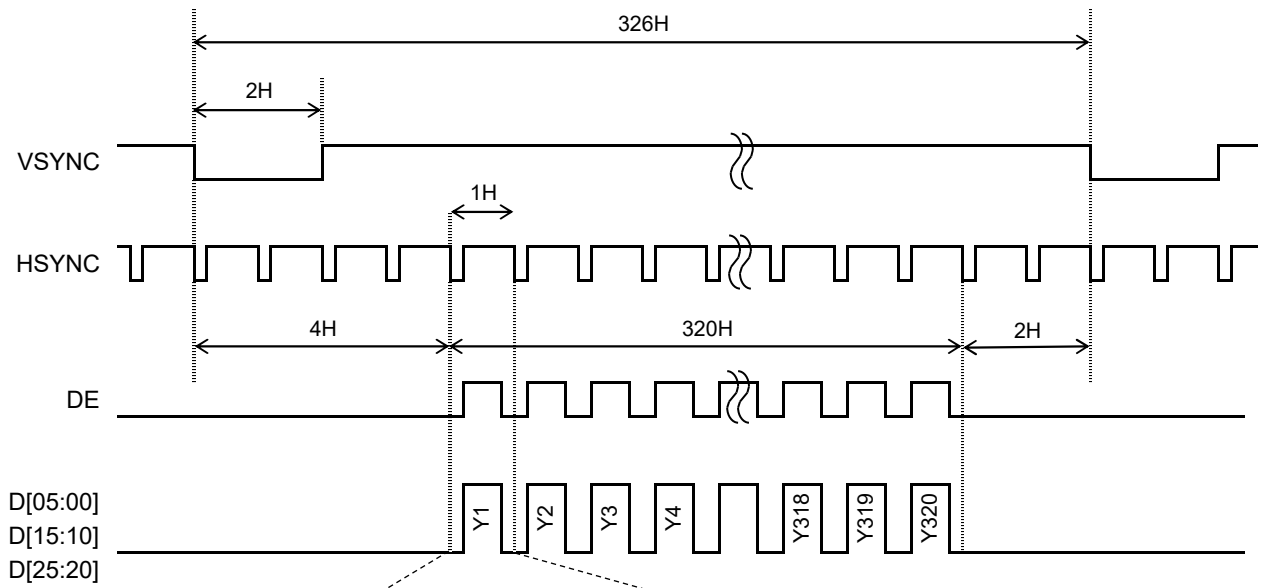


II. Horizontal Timing

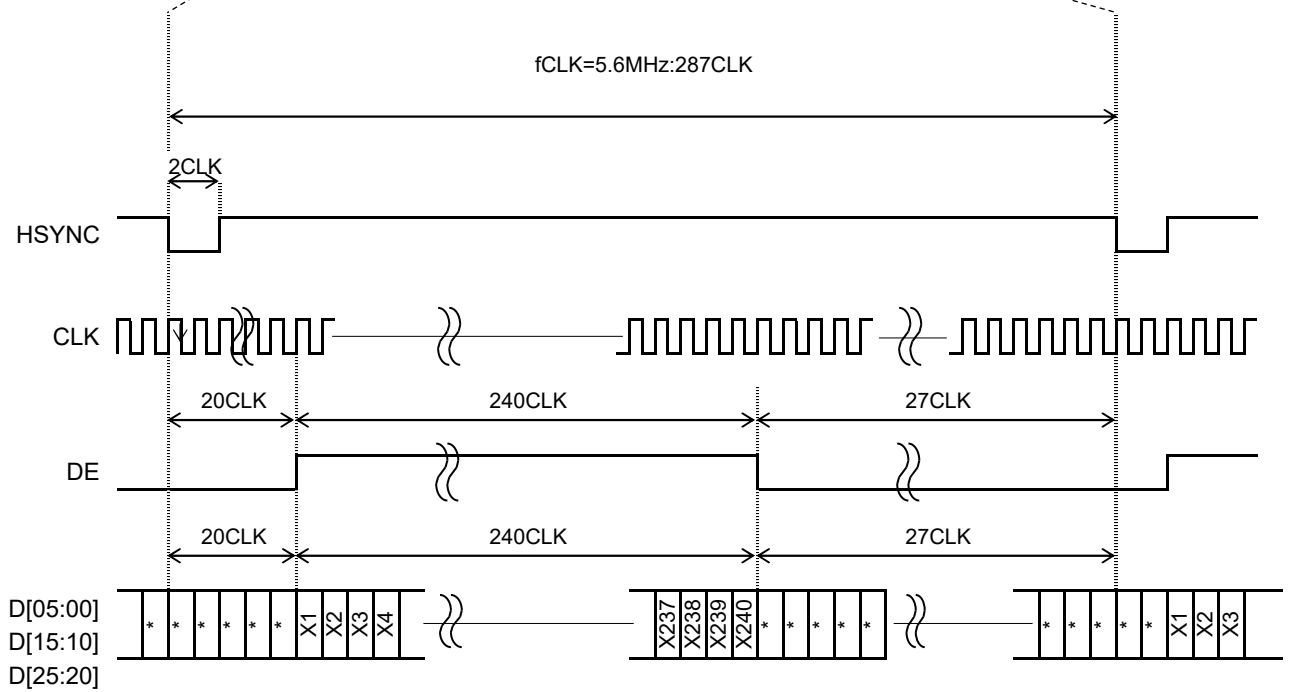


9.3 Example of Driving Timing Chart (fCLK=5.6MHz)

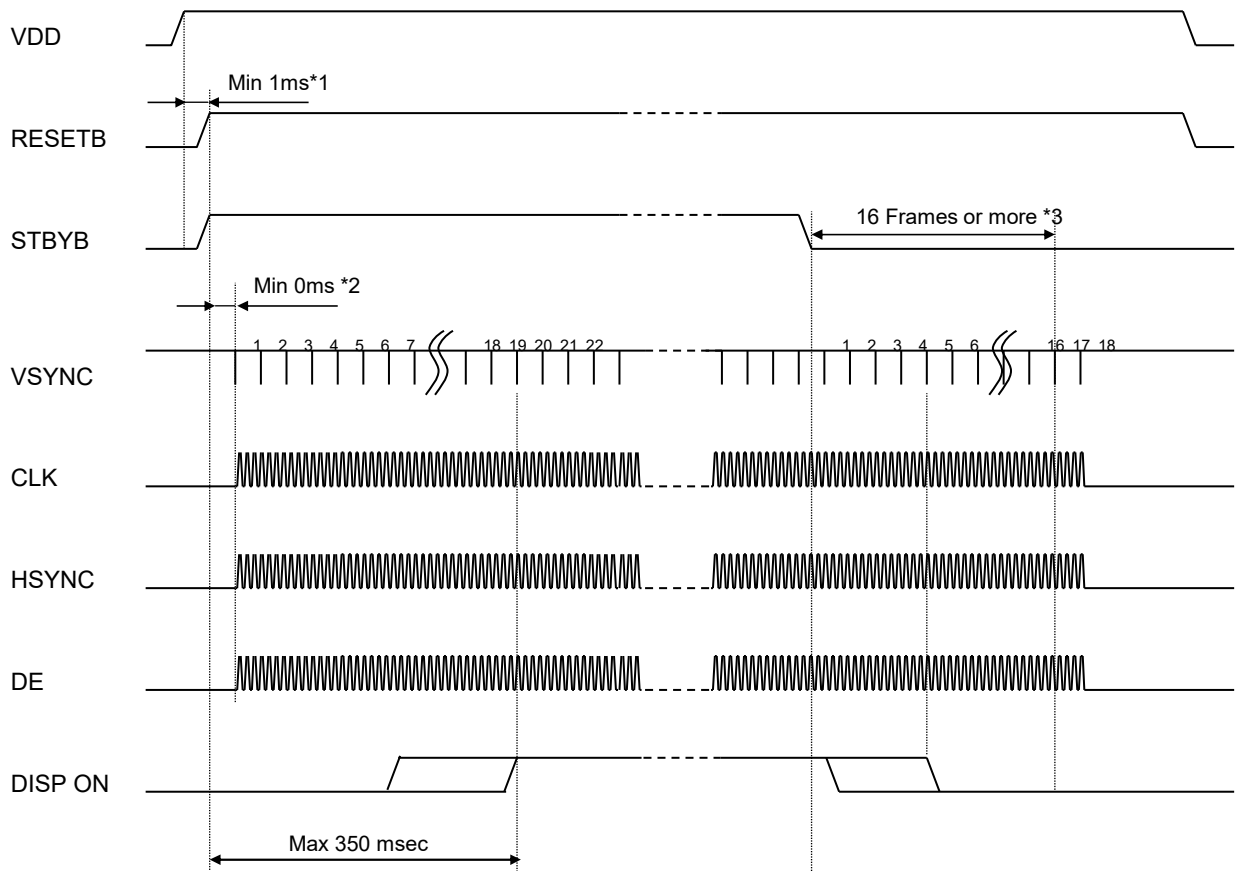
I. Vertical Timing



II. Horizontal Timing



10. Power ON/OFF sequence



*1 After the power supply, Please excute RESETB.(12. Reset sequence Reference)

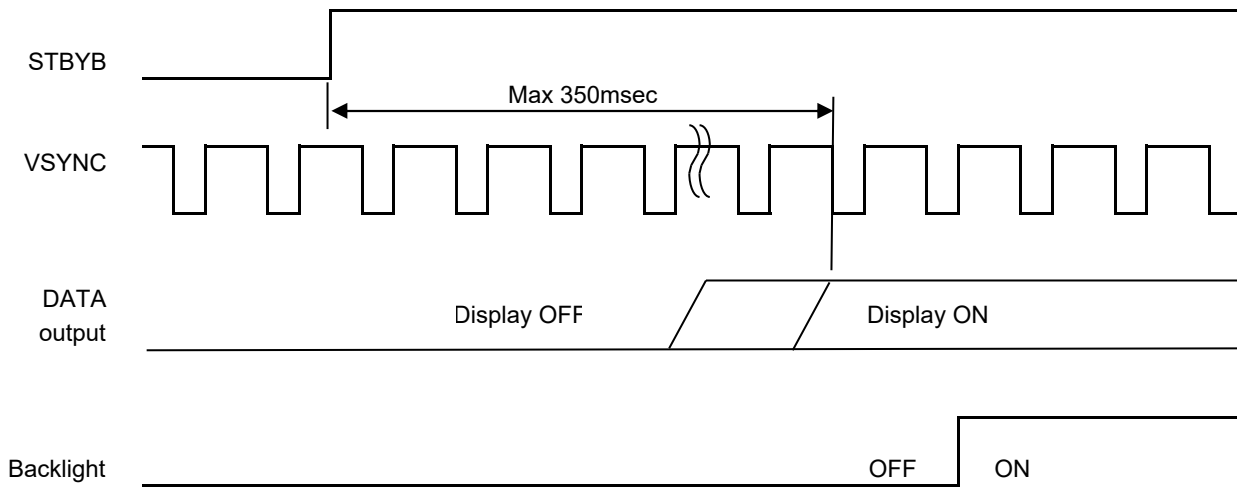
*2 There is no regulations at time until each signal is supplied from RESETB"H"
But meanwhile, It is necessary to fix each signal to "H"or"L".

*3 It is necessary to supply VSYNC and CLK(DOTCLK) for 16 frames or more from STBYB "L" to turning off the power supply without leaving the afterimage.

11. Display ON/OFF sequence

It explains the display sequence when display ON/OFF by the STBYB signal.

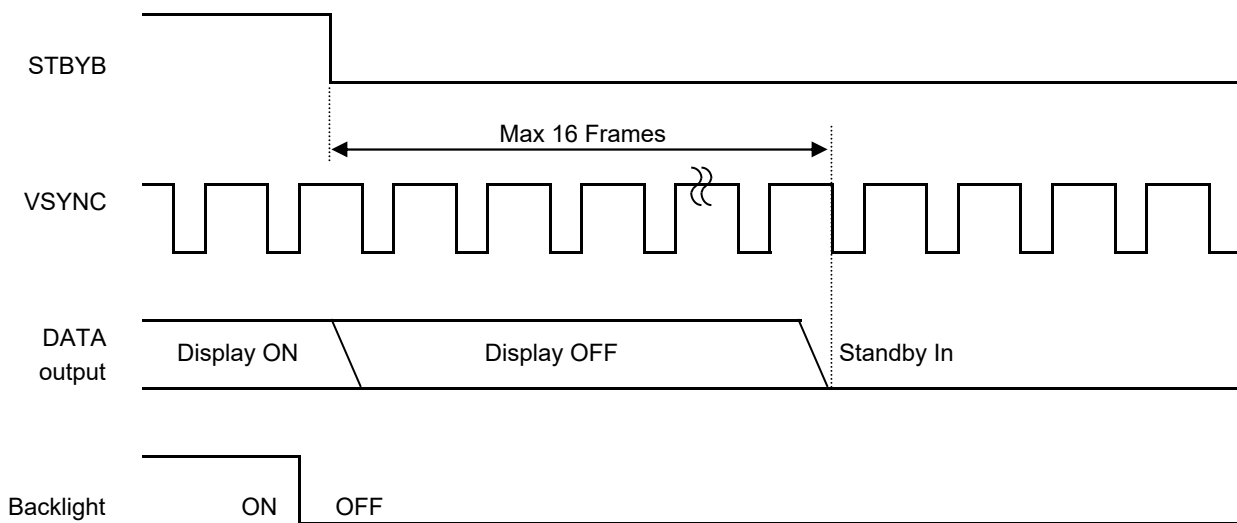
The following time will be needed by the time the displays begun from the standby release.



The following time will be needed by the time the standby sequence is ended from the standby setting.

Meanwhile, DOTCLK and the VSYNC signal should keep being supplied.

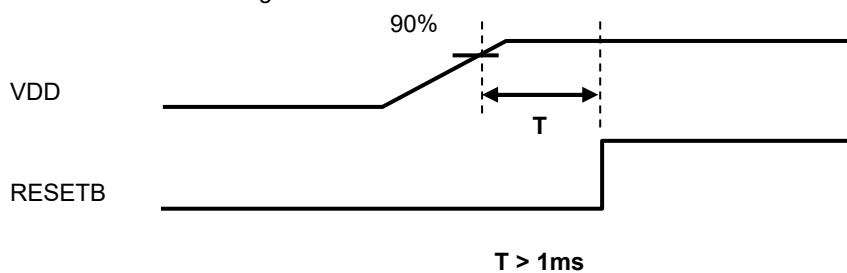
When DOTCLK and the VSYNC signal are stopped or the power supply is turned off to a regulated frame or less, the afterimage might remain.



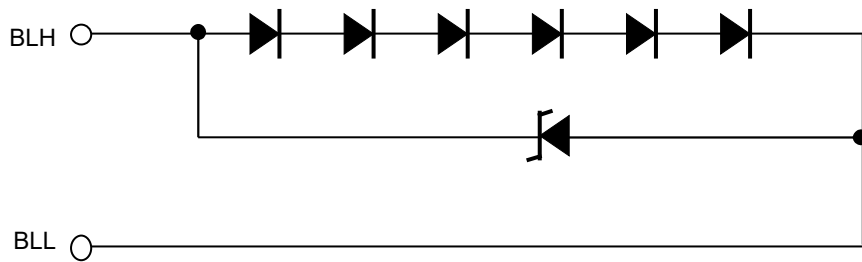
12. Reset sequence

There is a limitation between the power supply turning on and the RESETB input.

Please defend the following conditions.



13. LED Circuit



14. Characteristics

14.1 Optical Characteristics

(Measurement Condition)

Measuring instruments: CS2000 (KONICA MINOLTA), LCD7200 (OTSUKA ELECTRONICS), EZcontrastXL88 (ELDIM)

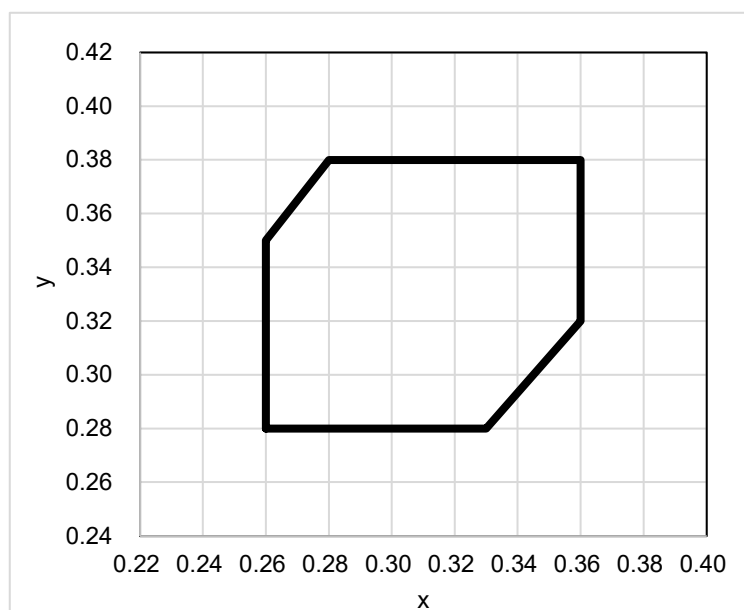
Driving condition: VDD = 3.0V, VSS = 0V, Optimized VCOMDC

Backlight: IL= 6.5 mA

Measured temperature: Ta = 25°C

Item		Symbol	Condition	MIN	TYP	MAX	Unit	Note №	Remark
Response time	Rise time	TON	[Data]= 00h ← → 3Fh	-	-	100	ms	1	
	+ Fall time	TOFF							
Contrast ratio	Backlight ON	CR	[Data]= 3Fh / 00h	480	800	-		2	
	Backlight OFF			-	3	-			
Viewing angle	Left	θL	[Data]= 3Fh / 00h CR ≥ 10	80	-	-	deg	3	
	Right	θR		80	-	-	deg		
	Up	φU		80	-	-	deg		
	Down	φD		80	-	-	deg		
White Chromaticity		x	[Data]= 3Fh	White chromaticity range				4	
		y							
Center Brightness			[Data]= 3Fh	175	250	-	cd/m ²	5	
Brightness distribution			[Data]= 3Fh	70	-	-	%	6	
Burn-in				No noticeable burn-in image shall be observed after 2 hours of window pattern display.				7	

* Note number 1 to 7: Refer to the APPENDIX of "Reference Method for Measuring Optical Characteristics and Performance".



White Chromaticity Range

(White Chromaticity Range)

x	y
0.26	0.28
0.33	0.28
0.36	0.32
0.36	0.38
0.28	0.38
0.26	0.35

14.2 Temperature Characteristics

(Measurement Condition)

Measuring instruments: CS2000 (KONICA MINOLTA), LCD7200 (OTSUKA ELECTRONICS)

Driving condition: VDD = 3.0V, VSS = 0V, Optimized VCOMDC

Backlight: IL= 6.5 mA

Item		Symbol	Specification		Remark
			Ta = -20 °C	Ta = 70 °C	
Response time	Rise time + Fall time	TON + TOFF	1000 msec or less	80 msec or less	
Contrast ratio		CR	200 or more	200 or more	Backlight ON
Display Quality			No noticeable display defect or ununiformity should be observed.		

15. Criteria of Judgment

15.1 Defective Display and Screen Quality

Test Condition: Observed TFT-LCD monitor from front during operation with the following conditions

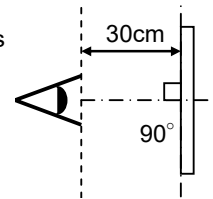
Driving Signal: Raster Patter (RGB, white, black)

Signal condition: [Data]:00h, 28h, 3Fh (3steps)

Observation distance: 30 cm

Illuminance: 200 to 350 lx

Backlight: IL=6.5mA



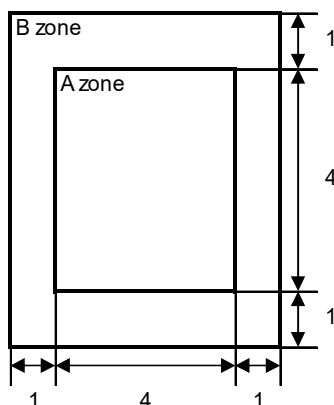
Defect item	Defect content	Criteria		
Display Quality	Line defect	Black, white or color line, 3 or more neighboring defective dots	Not exists	
	Dot defect	Uneven brightness on dot-by-dot base due to defective TFT or CF, or dust is counted as dot defect (brighter dot, darker dot)	Refer to table 1	
		High bright dot: Visible through 2% ND filter at [Data]=00h	Acceptable	
		Low bright dot: Visible through 5% ND filter at [Data]=00h		
	Dark dot: Appear dark through white display at [Data]=28h			
	Invisible through 5% ND filter at [Data]=00h			
Screen Quality	Stain	Uneven brightness (white stain, black stain etc)	Invisible through 5% ND filter at Black screen. Invisible through 1% ND filter at other screen.	
	Foreign particle	Point-like	$0.25\text{mm} < \phi$	N=0
			$0.20\text{mm} < \phi \leq 0.25\text{mm}$	$N \leq 2$
			$\phi \leq 0.20\text{mm}$	Acceptable
	Liner	$3.0\text{mm} < L$ and $0.08\text{mm} < W$	$N=0$	
$L \leq 3.0\text{mm}$ or $W \leq 0.08\text{mm}$			Acceptable	
Others		Use boundary sample for judgment when necessary		

* ϕ (mm): Average diameter = (major axis + minor axis) / 2, W (mm): Width, L (mm): Length, N: Permissible number

Table1

Area	High bright dot	Low bright dot	Dark dot	Total	Criteria
A	0	2	2	3	Permissible distance between same color bright dots (includes neighboring dots): 3 mm or more Permissible distance between same color high bright dots (includes neighboring dots): 5 mm or more
B	2	4	4	6	
Total	2	4	4	7	

<Portrait model>



Division of A and B areas

B area: Active area

Dimensional ratio between A and B areas: 1: 4: 1

(Refer to the left figure)

15.2 Screen and Other Appearance

Testing conditions

Observation distance: 30 cm

Illuminance: 1200 ~ 2000 lx

Item		Criteria	Remark
Polarizer	Flaw	Ignore invisible defect when the backlight is on.	Applicable area: Active area only (Refer to the section 3.2 Outward Form)
	Stain		
	Dirt		
	Bubble		
	Dust		
	Dent		
S case		No functional defect occurs	
FPC		No functional defect occurs	



16. Reliability Test

Test item		Test condition		number of failures / number of examinations
Durability test	High temperature storage	Ta = 80°C	240hrs	0 / 3
	Low temperature storage	Ta = -30°C	240hrs	0 / 3
	High temperature & high humidity storage	Ta = 60°C, RH = 90%, non condensing	240hrs	0 / 3
	High temperature operation	Tp = 70°C	240hrs	0 / 3
	Low temperature operation	Tp = -20°C	240hrs	0 / 3
	High temperature & high humidity operation	Tp = 40°C, RH = 90%, non condensing	240hrs	0 / 3
	Thermal shock storage	-30°C ↔ 80°C (30min / 30min)	100cycles	0 / 3
	Lightfastness	Xenon Blackpanel 63±3°C non-shower 450W/m ² (300~700nm) non-operating Integral dose 800MJ/m ²		0 / 3
Mechanical environmental test	Electrostatic discharge test (Non operation)	Confirms to EIAJ ED-4701/300, C=200pF,R=0Ω,V=±200V Each 3 times of discharge on and power supply and other terminals.		0 / 3
	Surface discharge test (Non operation)	C=250pF, R=100Ω, V=±12kV Each 5 times of discharge in both polarities on the center of screen with the case grounded.		0 / 3
	Vibration test	Total amplitude 1.5mm, f=10~55Hz, X,Y,Z directions for each 2 hours		0 / 3
	Impact test	Use TOPPAN original jig (see next page) and make an impact with peak acceleration of 1000m/s ² for 6 msec with half sine-curve at 3 times to each X, Y, Z directions in conformance with JIS C 60068-2-27-2011.		0 / 3
Packing test	Packing vibration-proof test	Acceleration of 19.6m/s ² with frequency of 10→55→10Hz, X,Y, Zdirection for each 30 minutes.		0 / 1 packing
	Packing drop test	Drop from 75cm high. 1 time to each 6 surfaces, 3 edges, 1 corner		0 / 1 packing

Note:Ta=ambient temperature Tp=Panel temperature

※ The profile of high temperature/humidity storage and High Temperature/humidity operation
(Pure water of over 10MΩ·cm shall be used.)

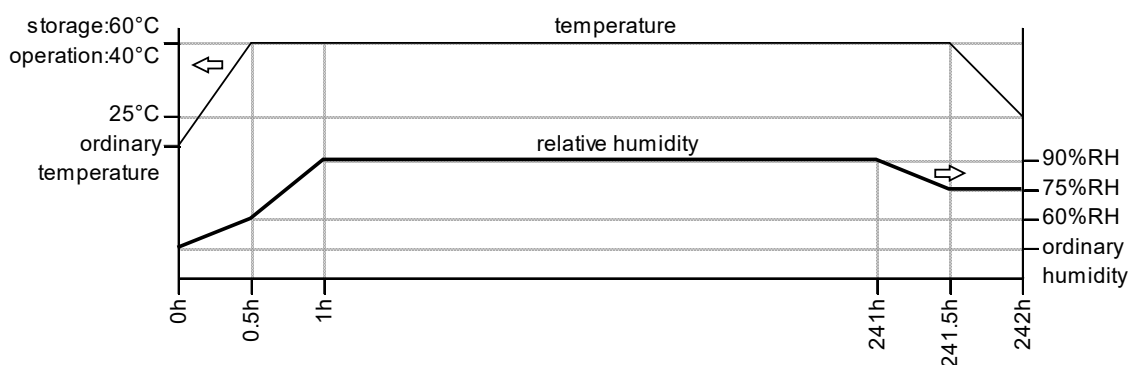
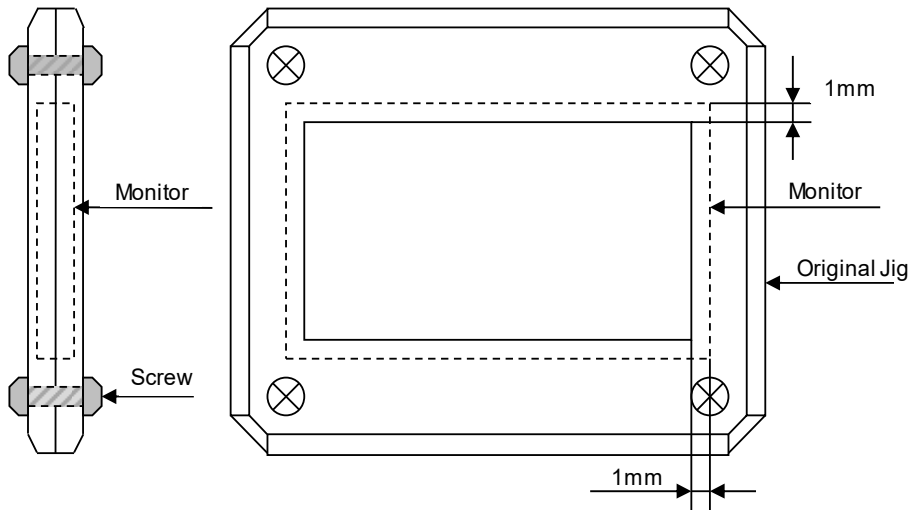


Table2. Reliability Criteria

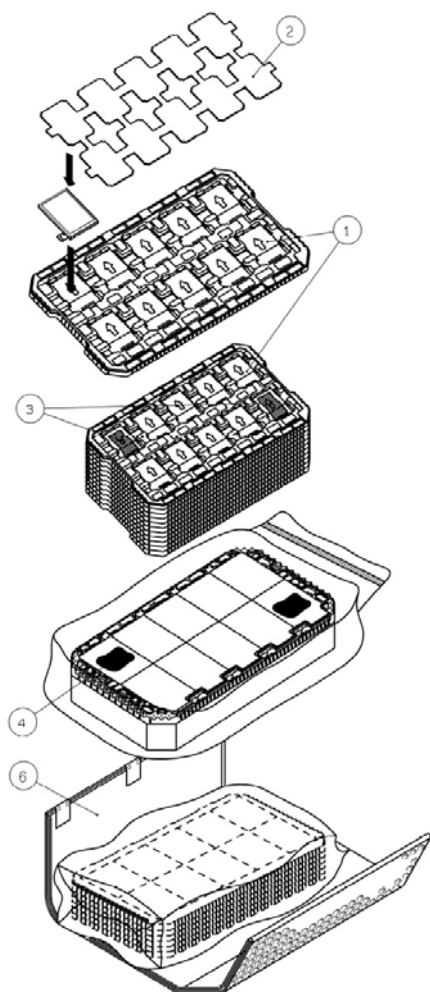
The parameters should be measured after leaving the monitor at the ordinary temperature for 24 hours or more after the test completion.

Item	Standard	Remark
Display quality	No visible abnormality shall be seen. (Except for unevenness by PoI deterioration.)	
Contrast ratio	200 or more	Backlight ON

TOPPAN Original Jig



17. Packing Specifications



Step 1. Each product is to be placed in one of the cut-outs of the tray with the display surface facing upward.
Foam sheet A are to be placed on the products in the tray.
(10 products per tray)

Step 2. Each tray is to be piled up in same orientation and the trays be in a stack of 10.
One empty tray is to be put on the top of stack of 10 trays.

Step 3. 2 packs of moisture absorbers are to be placed on the top tray as shown in the drawing.
Put piled trays into a sealing bag.

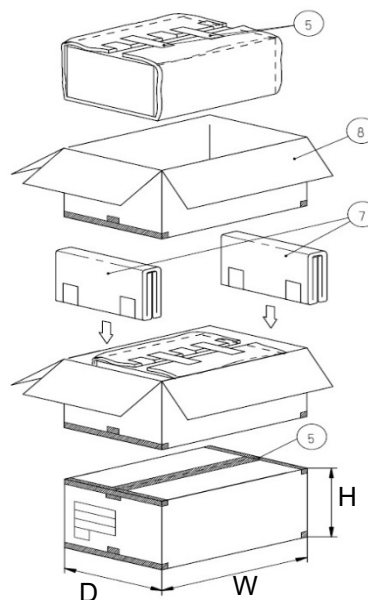
Step 4. Vacuum and seal the sealing bag with the vacuum sealing machine.

Step 5. The stack of trays in the plastic back is to be wrapped with B SHEET A.

Step 6. The wrapped trays are placed in the carton.

Step 7. B SHEET B are to be inserted into a outer carton with same orientation.
The outer carton is to be sealed in H-shape with packing tape as shown in the drawing.

Step 8. The model number, quantity of products, and shipping date are to be printed on the outer carton.
If necessary, shipping labels or impression markings are to be put on the outer carton.



Remark: The return of packing materials is not required.

Packing item name	Specs., Material
① Tray	A-PET
② FOAM SHEET	Anti-static polyethylene
③ Drier	Moisture absorber
④ Sealing bag	
⑤ Packing tape	
⑥ B SHEET A	Anti-static air bubble sheet
⑦ B SHEET B	Anti-static air bubble sheet
⑧ Outer carton	Corrugated cardboard

Dimension of outer carton	
D : Approx.	(356mm)
W : Approx.	(664mm)
H : Approx.	(182mm)
Quantity of products packed in one carton:	100
Gross weight : Approx.	6.3 kg

18. Handling Instruction

18.1 Cautions for Handling LCD panels



Caution

- (1) Do not make an impact on the LCD panel glass because it may break and you may get injured from it.
- (2) If the glass breaks, do not touch it with bare hands.
(Fragment of broken glass may stick you or you cut yourself on it.)
- (3) If you get injured, receive adequate first aid and consult a medial doctor.
- (4) Do not let liquid crystal get into your mouth.
(If the LCD panel glass breaks, try not let liquid crystal get into your mouth even toxic property of liquid crystal has not been confirmed.)
- (5) If liquid crystal adheres, rinse it out thoroughly.
(If liquid crystal adheres to your cloth or skin, wipe it off with rubbing alcohol or wash it thoroughly with soap. If liquid crystal gets into eyes, rinse it with clean water for at least 15 minutes and consult an eye doctor.)
- (6) If you scrap this products, follow a disposal standard of industrial waste that is legally valid in the community, country or territory where you reside.
- (7) Do not connect or disconnect this product while its application products is powered on.
- (8) Do not attempt to disassemble or modify this product as it is precision component.
- (9) If a part of soldering part has been exposed, and avoid contact (short-circuit) with a metallic part of the case etc. about FPC of this model, please.
Please insulate it with the insulating tape etc. if necessary.
The defective operation is caused, and there is a possibility to generation of heat and the ignition.
- (10) Since excess current protection circuit is not built in this TFT module, there is the possibility that LCD module or peripheral circuit become feverish and burned in case abnormal operation is generated.
We recommend you to add excess current protection circuit to power supply.
- (11) The devices on the FPC are damageable to electrostatic discharge, because the terminals of the devices are exposed.
Wear grounded wrist-straps and use electrostatic neutralization blowers to prevent static charge and discharge when handling the TFT monitors.
Designate an appropriate operating area, and set equipment, tools, and machines properly when handling this product.

Caution



This mark is used to indicate a precaution or an instruction which, if not correctly observed, may result in bodily injury, or material damages alone.

18.2 Precautions for Handling

- 1) Wear finger tips at incoming inspection and for handling the TFT monitors to keep display quality and keep the working area clean.
Do not touch the surface of the monitor as it is easily scratched.
- 2) Wear grounded wrist-straps and use electrostatic neutralization blowers to prevent static charge and discharge when handling the TFT monitors as the LED in this TFT monitors is damageable to electrostatic discharge.
Designate an appropriate operating area, and set equipment, tools, and machines properly when handling this product.
- 3) Avoid strong mechanical shock including knocking, hitting or dropping to the TFT monitors for protecting their glass parts.
Do not use the TFT monitors that have been experienced dropping or strong mechanical shock.
- 4) Do not use or storage the TFT monitors at high temperature and high humidity environment.
Particularly, never use or storage the TFT monitors at a location where condensation builds up.
- 5) Avoid using and storing TFT monitors at a location where they are exposed to direct sunlight or ultraviolet rays to prevent the LCD panels from deterioration by ultraviolet rays.
- 6) Do not stain or damage the contacts of the FPC cable .
FPC cable needs to be inserted until it can reach to the end of connector slot.
During insertion, make sure to keep the cable in a horizontal position to avoid an oblique insertion.
Otherwise, it may cause poor contact or deteriorate reliability of the FPC cable.
- 7) Do not bend or pull the FPC cable or carry the TFT monitor by holding the FPC cable.
- 8) Peel off the protective film on the TFT monitors during mounting process.
Refer to the section 18.5 on how to peel off the protective film.
We are not responsible for electrostatic discharge failures or other defects occur when peeling off the protective film.

18.3 Precautions for Operation

- 1) Since this TFT monitors are not equipped with light shielding for the driver IC,
do not expose the driver IC to strong lights during operation as it may cause functional failures.
- 2) In case of powering up or powering off this LCD module,
be sure to comply the sequence as instructed in this specification.
- 3) Do not plug in or out the FPC cable while power supply is switch on.
Plug the FPC cable in and out while power supply is switched off.
- 4) Do not operate the TFT monitors in the strong magnetic field. It may break the TFT monitors.
- 5) Do not display a fixed image on the screen for a long time.
Use a screen-saver or other measures to avoid a fixed image displayed on the screen for a long time.
Otherwise, it may cause burn-in image on the screen due the characteristics of liquid crystal.

18.4 Storage Condition for Shipping Cartons

(Storage environment)

- Temperature 0 to 40° C
- Humidity 60%RH or less
No-condensing occurs under low temperature with high humidity condition.
- Atmosphere No poisonous gas that can erode electronic components and/or wiring materials should be detected.
- Time period 1 year
- Unpacking To prevent damages caused by static electricity, anti-static precautionary measures (e.g. earthing, anti-static mat) should be implemented.
After unpack, keep product in the appropriate condition, otherwise bubble seal of Protective film may be printed on Polarizer.
- Maximum piling up 8 cartons(excluding the bottom)

*Conditions to storage after unpacking

(Storage environment)

- Temperature 0 to 40° C
- Humidity 60%RH or less
No-condensing occurs under low temperature with high humidity condition.
- Atmosphere No poisonous gas that can erode electronic components and/or wiring materials should be detected.
- Time period 1 year (Shelf life)
- Others Keep/ store away from direct sunlight
Storage goods on original tray made by TOPPAN.

18.5 Precautions for Peeling off the Protective film

The followings work environment and work method are recommended to prevent the TFT monitors from static damage or adhesion of dust when peeling off the protective films.

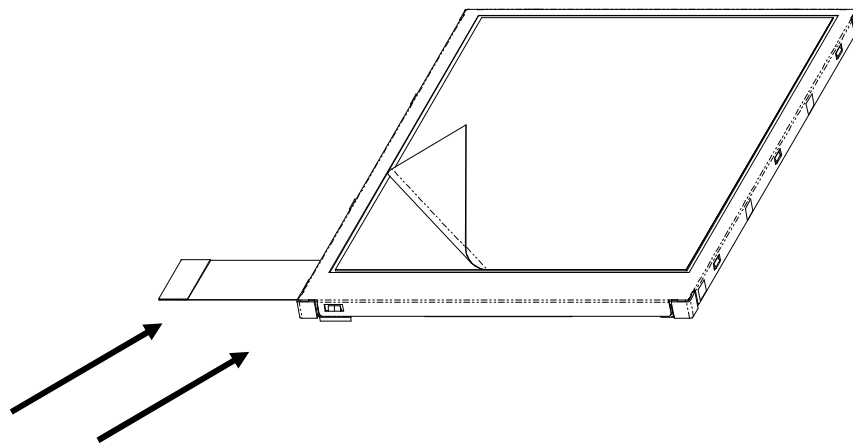
A) Work Environment

- a) Humidity: 50 to 70 %RH, Temperature 15 to 27 ° C
- b) Operators should wear conductive shoes, conductive clothes, conductive finger tips and grounded wrist-straps.
Use an electrostatic neutralization blower.
- c) Anti-static treatment should be implemented to work area's floor.
Use a room shielded against outside dust with sticky floor mat laid at the entrance to eliminate dirt.

B) Work Method

The following procedures should taken to prevent the driver ICs from charging and discharging.

- a) Use an electrostatic neutralization blower to blow air on the TFT monitors to its lower left when FPC is placed at the left.
Optimize direction of the blowing air and the distance between the TFT monitors and the electrostatic neutralization blower.
- b) Put an adhesive tape (Scotch tape, etc) at the lower left corner area of the protective film to prevent scratch on surface of TFT monitors.
- c) Peel off the adhesive tape slowly (spending more than 2 secs to complete) by pulling it to opposite direction.



Blower wind direction
(Set an ion blower with its adequate conditions.)

18.6 Warranty

TOPPAN is only liable to defective goods which is stored and used under the condition complying with this specifications and returned within 1 (one) year.

Warranty caused by manufacturing defect shall be conducted by replacement of goods or refundment at unit price.

APPENDIX

Reference Method for Measuring Optical Characteristics and Performance

1. Measurement Condition (Backlight ON)

Measuring instruments: CS2000 (KONICA MINOLTA), LCD7200 (OTSUKA ELECTRONICS), EZcontrastXL88 (ELDIM)

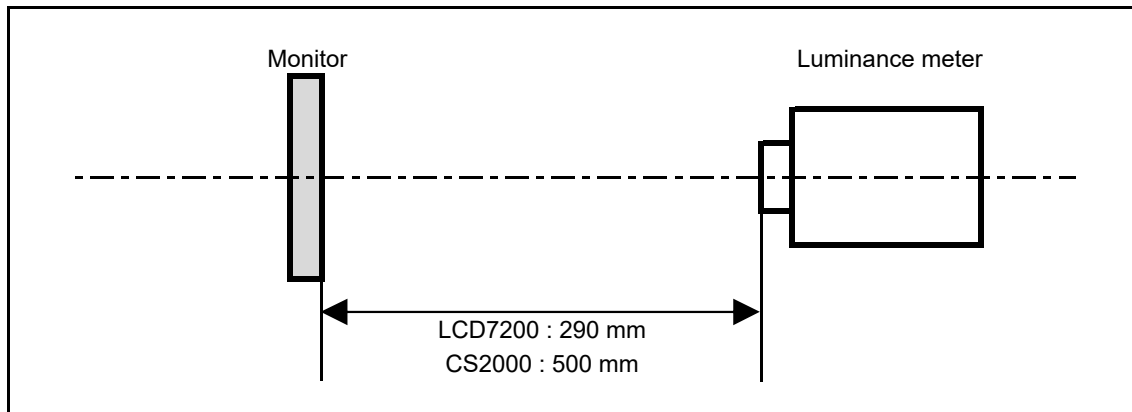
Driving condition: Refer to the section "Optical Characteristics"

Measured temperature: 25°C unless specified

Measurement system: See the chart below. The luminance meter is placed on the normal line of measurement system.

Measurement point: At the center of the screen unless otherwise specified

Dark box at constant temperature

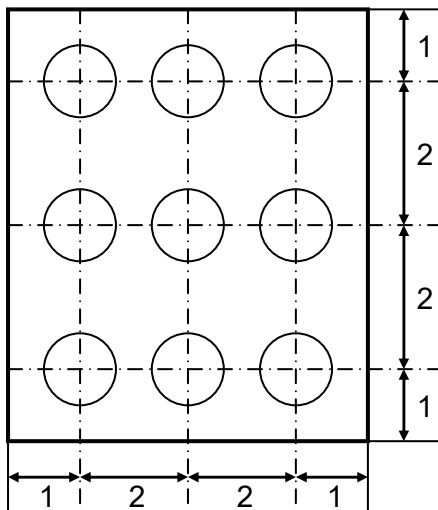


*Measurement is made after 30 minutes of lighting of the backlight.

Measurement point: At the center point of the screen

Brightness distribution: 9 points shown in the following drawing.

<Portrait model>



Dimensional ratio of active area

Backlight IL=6.5mA

Measurement Condition (Contrast ratio Backlight OFF only)

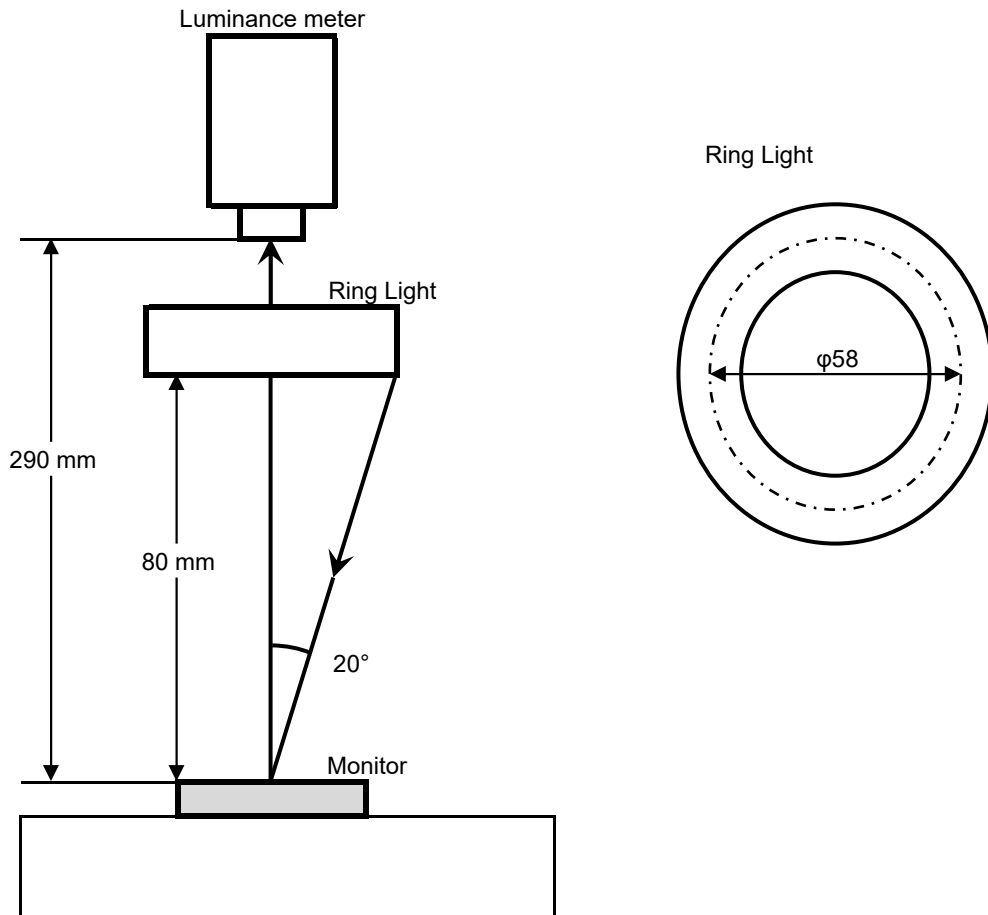
Measuring instruments: LCD7200(OTSUKA ELECTRONICS) , Ring Light (40,000 lx, $\phi 58$)

Driving condition: Refer to the section "Optical Characteristics"

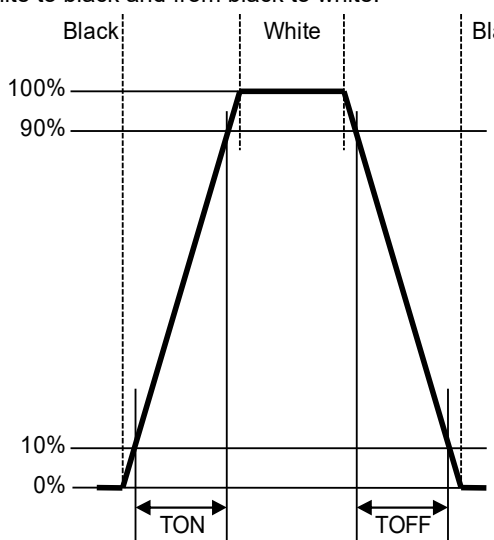
Measured temperature: 25°C unless specified

Measurement system: See the chart below.

Measurement point: At the center of the screen unless otherwise specified



2. Test Method

Notice	Item	Test method	Measuring instrument	Remark
1	Response time	<p>Measure output signal waveform by the luminance meter when raster of window pattern is changed from white to black and from black to white.</p> 	LCD7200	Black display [Data]=00h White display [Data]=3Fh TON Rise time TOFF Fall time
2	Contrast ratio	<p>Measure maximum luminance Y1([Data]=3Fh) and minimum luminance Y2([Data]=00h) at the center of the screen by displaying raster or window pattern. Then calculate the ratio between these two values.</p> <p>Contrast ratio = $Y1/Y2$</p> <p>Diameter of measuring point: 7.8mmφ(CS2000) Diameter of measuring point: 3mmφ(LCD7200)</p>	CS2000 LCD7200	Backlight ON Backlight OFF
3	Viewing angle Horizontalθ Verticalφ	Move the luminance meter from right to left and up and down and determine the angles where contrast ratio is 10.	EZcontrastXL88	
4	White chromaticity	<p>Measure chromaticity coordinates x and y of CIE1931 colorimetric system at [Data] = 3Fh</p> <p>Color matching function: 2°view measurement angle: 1°</p>	CS2000	
5	Center brightness	Measure the brightness at the center of the screen.	CS2000	
6	Brightness distribution	<p>(Brightness distribution) = $100 \times B/A \%$</p> <p>A : max. brightness of the 9 points B : min. brightness of the 9 points</p>	CS2000	
7	Burn-in	Visually check burn-in image on the screen after 2 hours of "window display" ([Data]=00h/3Fh).		At optimized VCOMDC