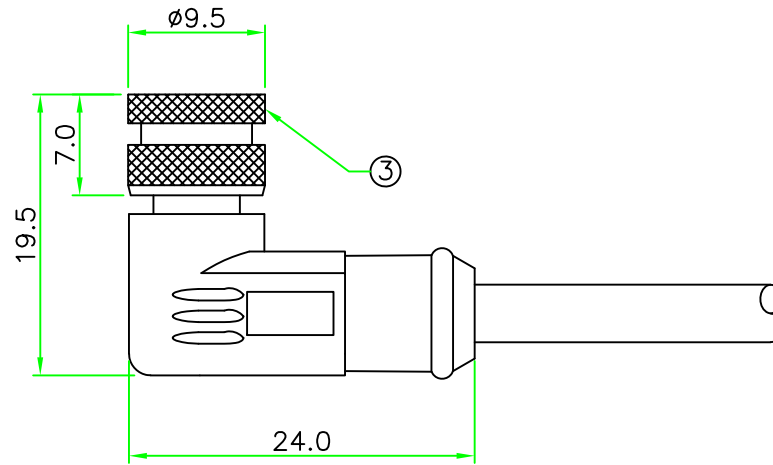
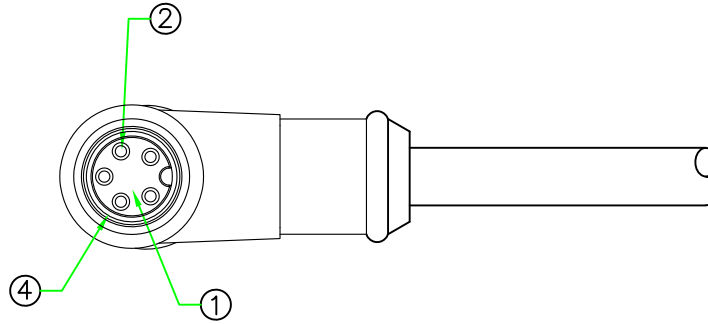


IP66-68

RoHS



REV.	DESCRIPTION	DATE
A	ISSUE	July/01/2008
A1	Add Item	Apr/30/2015
A2	Add 7~8 Pin & Correct Pin Assignment.	Oct/25/2018

NOTES:

- ELECTRICAL CHARACTERISTICS:
 CURRENT RATING: 1.5A / 3A
 TEMPERATURE RANGE: -20°C TO +80°C
 DIELECTRIC WITHSTANDING VOLTAGE:
 500V AC FOR ONE MINUTE

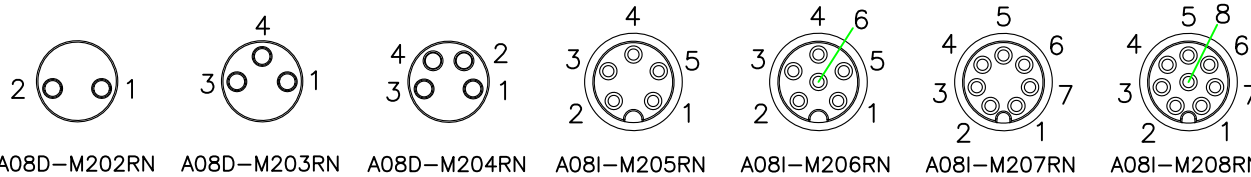
2. HOW TO ORDER: A08x-M2xxRN



- 02 - 2 PINS 06 - 6 PINS
- 03 - 3 PINS 07 - 7 PINS
- 04 - 4 PINS 08 - 8 PINS
- 05 - 5 PINS

- I - CURRENT RATING 1.5A
- D - CURRENT RATING 3A

*Cable specification and length can be customized.



PIN ASSIGNMENT FRONT VIEW (前視圖)

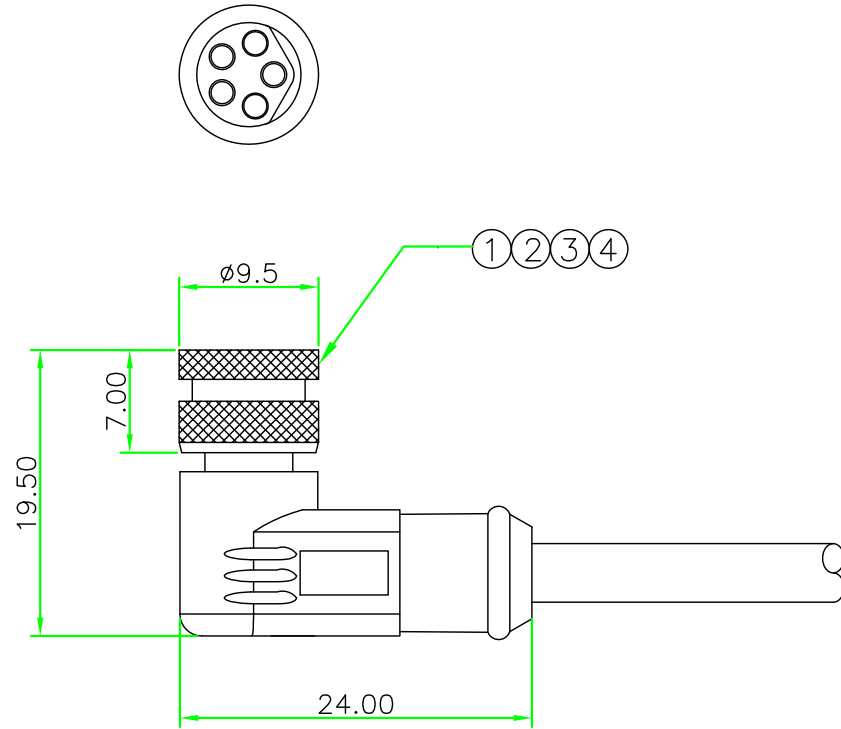
No.	PART NAME	DESCRIPTION	COLOR	Q'TY	REMARKS
4	RING NUT	Brass, Nickel Plated.		1	
3	O-RING	Viton.	BLACK	1	
2	CONTACT	Brass , 6 u" Gold plated. Female Contact.		N	
1	CONNECTOR	M8 A-Coding Female Connector Insert. Nylon+GF.	BLACK	1	

HOLIN® HTP ASIA TECHNOLOGY CO., LTD.
 禾凌科技股份有限公司

	UNIT: mm	TITLE :	M8 A-Coding Female R/A molded cable
SCALE	2:1	P/N:	A08x-M2xxRN
UNLESS OTHERWISE SPECIFIED TOLERANCES: .X ± 0.5 .XX ± 0.25 .XXX± 0.1 ANGLE ± 1°		DR.	SIBYL
REV.	SHEET	CH.	ERIC
A2	1/1	AP.	
		DWG.NO:	A08x-M2xxRN

IP66-68

RoHS



REV.	DESCRIPTION	DATE
A	ISSUE	Mar/05/2014

NOTES:

- 1. ELECTRICAL CHARACTERISTICS:
 CURRENT RATING: < 4A
 TEMPERATURE RANGE: -25°C TO +85°C
 DIELECTRIC WITHSTANDING VOLTAGE:
 500V AC FOR ONE MINUTE

*Cable specification and length can be customized.

HOLIN® HTP ASIA TECHNOLOGY CO., LTD.
 禾凌科技股份有限公司

4	Ring Nut	Brass, Nickel plated, with ratchet mechanism, without sleeve.		1		UNIT: mm SCALE 2:1	TITLE : M8 B Code Female R/A molded cable Ass'y	DR. Patty CH. ERIC
3	O-Ring	VITON.	BLACK	1				
2	Contact	Brass, 6 u" Gold plated .Female Contact.		5		UNLESS OTHERWISE SPECIFIED TOLERANCES: X ± 0.25 XX ± 0.1 XXX ± 0.05 ANGLE ± 1°X REV. SHEET	P/N: B08D-M205RN DWG.NO: B08D-M205RN	AP.
1	Connector	M8 Female connector insert.	BLACK	1				
No.	PART NAME	DESCRIPTION	COLOR	Q'TY	REMARKS	A	1/1	