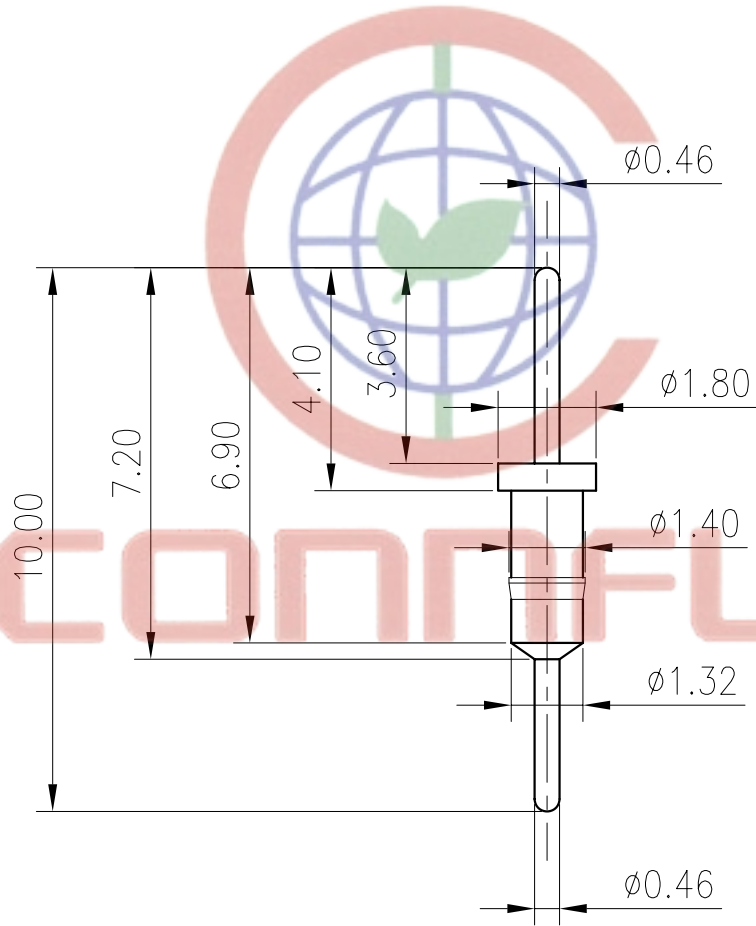


REV.	DESCRIPTION	DRAWN	CHECKED	APPROVED
A	NEW RELEASE	LL 07/23/06'		



NOTES:

- MATERIAL::
Brass,Machined,CuZn38Pb2
- ELECTRICAL
. Current Rating :1A Per Pin
. Operating Voltage : 60V Max
- Product Number Code:
DS1006-12 - X
Pin Plating
6: Full Tin
8: Full Gold Flash

Tel: 86-574-63508787

Fax: 86-574-63510817

GENERAL TOLERANCE		ANGLE TOLERANCE		PROJECTION		TITLE	BOARD TO BOARD TERMINALS 10.00mm	
X.	±0.20	X.	±2°	UNITS	mm	SHEET SIZE	A4	SERIES DS1006-12 SERIES
.X	±0.10	.X	±1°	晨翔电子有限公司 CONNFLY CONNFLY ELECTRONIC CO. LTD				
.XX	±0.05	.XX	±0.5°					
DRAWING TYPE		CUSTOMER		Add: West ... town Cixi Ningbo China P.C.:315321				
SCALE		1:1	SHEET 10F1					
DRAWING NO.		DS1006-12-X						