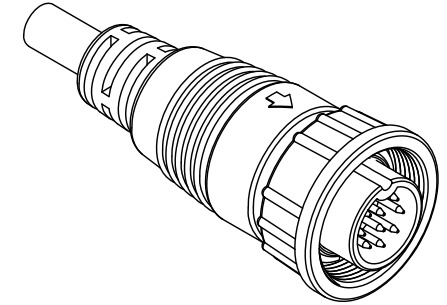
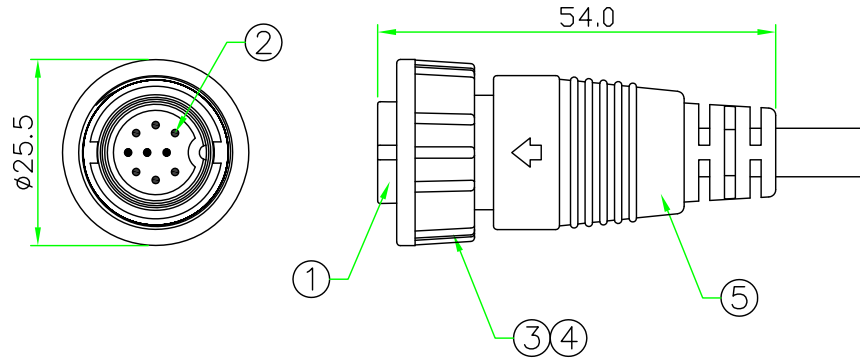


RoHS

IP66~68

REV.	DESCRIPTION	DATE
A	ISSUE	May/25/2015

Ref.

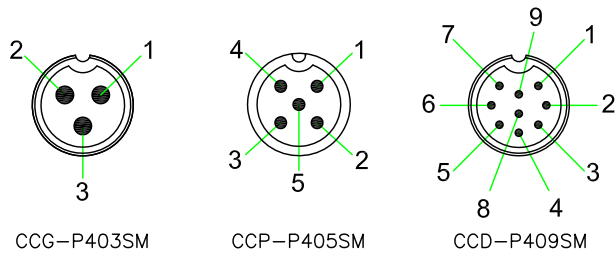


NOTES:

- ELECTRICAL CHARACTERISTICS:  
 CURRENT RATING: 5A / 10A / 20A  
 CONNECTOR TEMPERATURE RANGE: -20°C TO +80°C  
 DIELECTRIC WITHSTANDING VOLTAGE:  
 500V AC FOR ONE MINUTE
- HOW TO ORDER: CCx-P4xxSM

- 03 - 3 PIN
- 05 - 5 PIN
- 09 - 9 PIN

- G - CURRENT RATING 20A
- P - CURRENT RATING 10A
- D - CURRENT RATING 5A



PIN ASSIGNMENT FRONT VIEW  
(前視圖)

5	OVERMOLD	PVC or PU.	BLACK	1	
4	SCREW NUT	NYLON+GF.	BLACK	1	
3	O-RING	Silicon.	BLACK	1	
2	CONTACT	Brass , 6 u" Gold Plated .Male Contact.		N	
1	CONNECTOR	C Size Female Connector Insert.NYLON+GF.	BLACK	1	
No.	PART NAME	DESCRIPTION	COLOR	Q'TY	REMARKS

HOLIN® HTP ASIA TECHNOLOGY CO., LTD. 禾凌科技股份有限公司					
		UNIT: mm	TITLE :	Circular C Size Screw Type Female Connector Male Pin Molded Cable	
SCALE	1:1	P/N:		CCx-P4xxSM	
UNLESS OTHERWISE SPECIFIED TOLERANCES: .x ± 0.5 .xx ± 0.25 .xxx ± 0.1 ANGLE ± 1°			DWG.NO:	CCx-P4xxSM	
REV.	A	SHEET	1/1	DR.	Patty
				CH.	ERIC
				AP.	