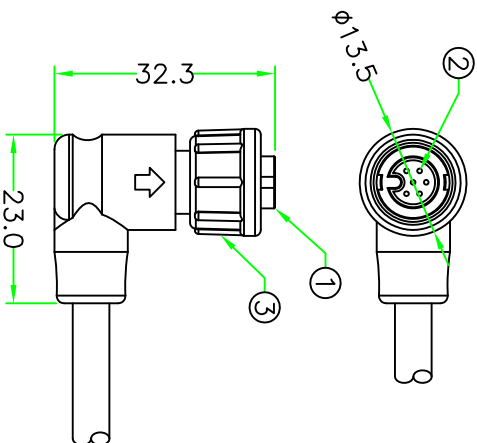


RoHS

IP67

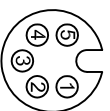
REV.	DESCRIPTION	DATE
A	ISSUE	Dec/04/2009



- NOTES:
- ELECTRICAL CHARACTERISTICS:  
CURRENT RATING: 2A / 5A  
CONNECTOR TEMPERATURE RANGE: -40°C TO +105°C  
DIELECTRIC WITHSTANDING VOLTAGE:  
500V AC FOR ONE MINUTE
  - HOW TO ORDER: CAX-L2XXRN

02 - 2 PIN    05 - 5 PIN  
03 - 3 PIN    06 - 6 PIN  
04 - 4 PIN  
D - CURRENT RATING 5A  
N - CURRENT RATING 2A

CAD-L202RN	CAD-L203RN	CAN-L204RN	CAN-L205RN	CAN-L206RN
Pin Assignment Front View				



No.	PART NAME	DESCRIPTION	COLOR	QTY	REMARKS
3	LOCK NUT	Nylon+GF.	BLACK	1	CAN-LN K07(KH11133)
2	CONTACT	BRASS, Female Pin, 6u" Gold Plated.		N	MO.65P121 -A
1	CONNECTOR	CAN FM Connector Insert. Nylon+GF.	BLACK	1	CAN-FM/C K06 (KH11132)

<b>HOLIN</b> <sup>®</sup> HTP ASIA TECHNOLOGY CO., LTD. 禾 凌 科 技 股 份 有 限 公 司		TITLE : Circular A Size Lock Type Female Connector Female Pin Right Angle Molded Cable	
SCALE	UNIT: mm	P/N:	DR. Jack
UNLESS OTHERWISE SPECIFIED TOLERANCES: X ±0.25    XX ± 0.1 XXX ± 0.05    ANGLE ± 1&#xB0;X		CAX-L2XXRN	CH. ENG
REV. A	SHEET 1/1	DWG.NO: CAX-L2XXRN	AP.