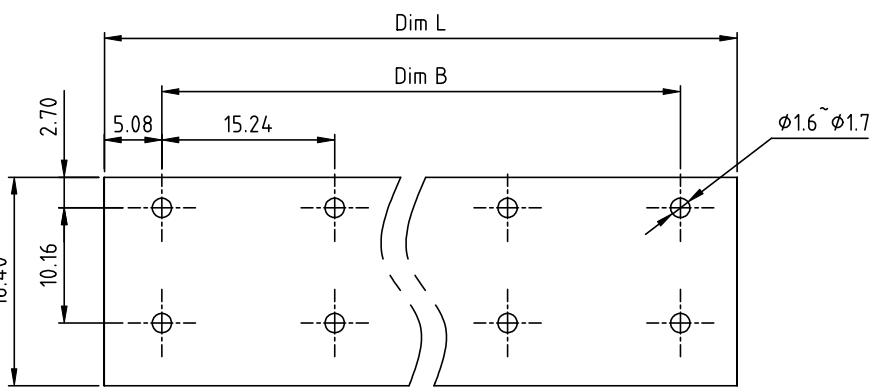
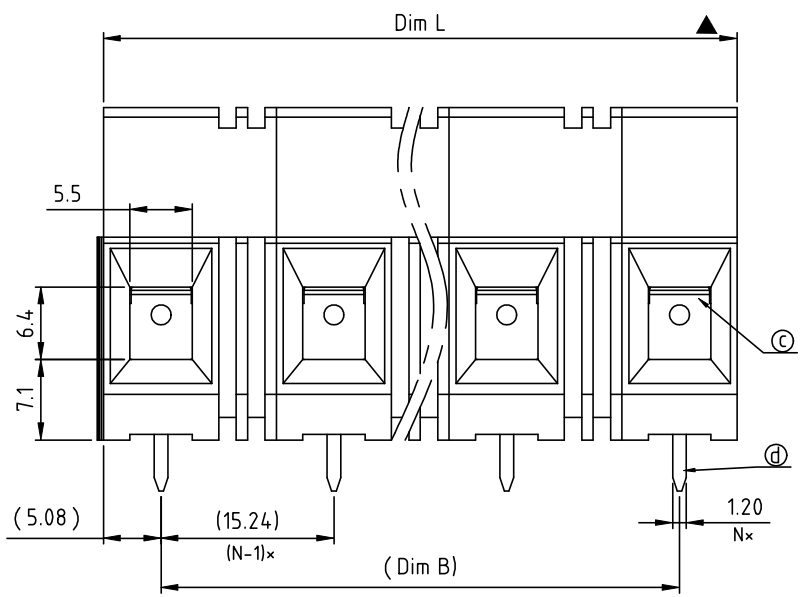
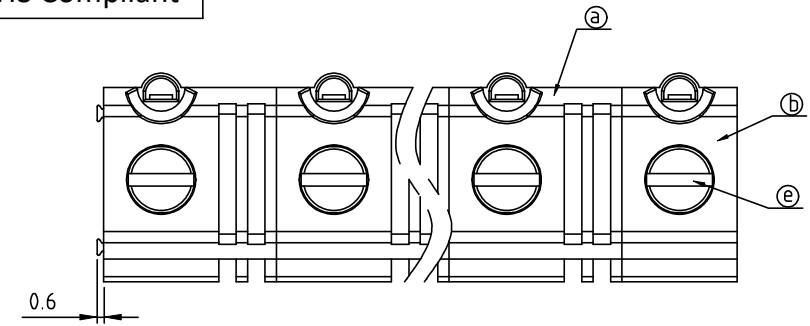
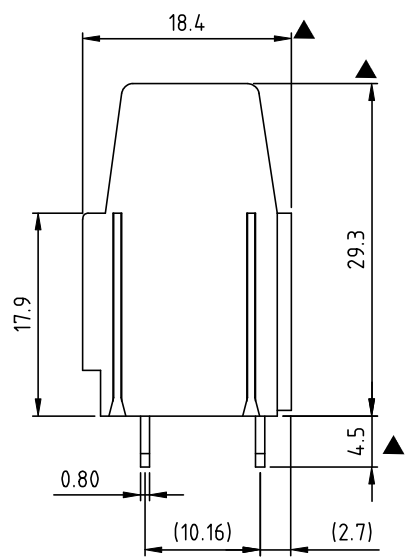
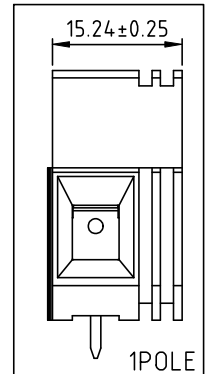


RoHS Compliant



RECOMMENDED PCB LAYOUT
TOP VIEW



N = Number of poles

Dim L	(N-1)×15.24+10.16
Dim B	(N-1)×15.24

Dim L Tolerances	
0-30	±0.25
Over 30-53	±0.30
Over 53-70	±0.35
Over 70-90	±0.44
Over 90-115	±0.55
Over 115-150	±0.70
Over 150-200	±0.85
Over 200-250	±1.00
Over 250-320	±1.20

REV	SIGN	DATE	DESCRIPTION	APPROVER
B		05/23-19	Initial release	Chen Bo
THIS IS CAD DRAWING, DO NOT REVISE MANUALLY!!!				

Material

- Item a) Housing : Thermoplastic (UL 94V-0)
- Item b) Side housing : Thermoplastic (UL 94V-0)
- Item c) Wire cage : Steel, zinc plated, Size: M4
- Item d) Solder pin : Copper , Matted Tin plated
- Item e) Screw : Steel, Zinc plated, "slot type, Size: M4

Electrical cULus

- Voltage rating: 1000V
- Current rating: 65A
- Solid wire(AWG): 6-20
- Stranded wire(AWG): 6-20
- Withstanding Voltage: AC 4.5KV at 1 minute
- Wire strip length: 10-11mm
- Screw torque value: 18.0Kgf.cm (1.76 N.m)
- Operating temperature: -40°C to +115°C
- Wave soldering temperature : 260°C±5°C/5 Sec
- Safety approval:
- Critical dimension:

TUV

- Voltage rating: 1000V
- Current rating: 57A
- Solid wire: 0.5mm²-10mm²
- Stranded wire: 0.5mm²-10mm²
- Rate impulse voltage: 8KV
- Insulation resistance: 500MΩ or more at DC500V
- Screw torque value: 1.2N.m
- Material group: I
- Pollution degree: 2
- Overvoltage category: III
- Operating temperature: -40°C to +115°C

● Reference dimension: (×) The dimensions of pitch are just for reference, take the actual assembly result as a judgment when inserting the terminal block into the PCB hole.

E9 xx 7 5 x 0 xxxx G

No. OF POLES	Color	G RoHS compliant (lead<4%) In copper Alloy
01 1 POLE	0 Black (RAL9005)	0000:"@"Logo (Standard)
02 2 POLES	2 Red (RAL3001/D)	000A:"ANYTEK"Logo
...	3 Orange(RAL2011/P)	Any special item by customer request, please contact sales department.
12 12 POLES	4 Yellow(RAL1018/A)	
	5 Green(RAL6018/T)	
	6 Blue (RAL5015/A)	
	8 Grey(RAL7035/D)	
	9 White(RAL1102)	
	C Green(RAL6018/U)	

Amphenol ANYTEK

CUSTOMER COPY

ALL RIGHTS RESERVED. REPRODUCTION OR ISSUE TO THIRD PARTIES IN ANY FORM WHATSOEVER IS NOT PERMITTED WITHOUT WRITTEN AUTHORITY FROM THE PROPRIETOR. PROPERTY OF ANYTEK TECHNOLOGY CO., LTD

TITLE	E9 15.24mm 1p-12p			DWG NO.	8E90001	
PART NO.	E9xx75x0xxxxG			CUST NO.		
APPROVED	CHECKED	DESIGNED	DRAWN	Tolerance		
		Chen Bo 05/23-19	Chen Bo 05/23-19		UNIT: mm	X. ±0.50
					SCALE: NONE	X.X ±0.30
				SHEET: 01/01	REV.: B	X° ±1°