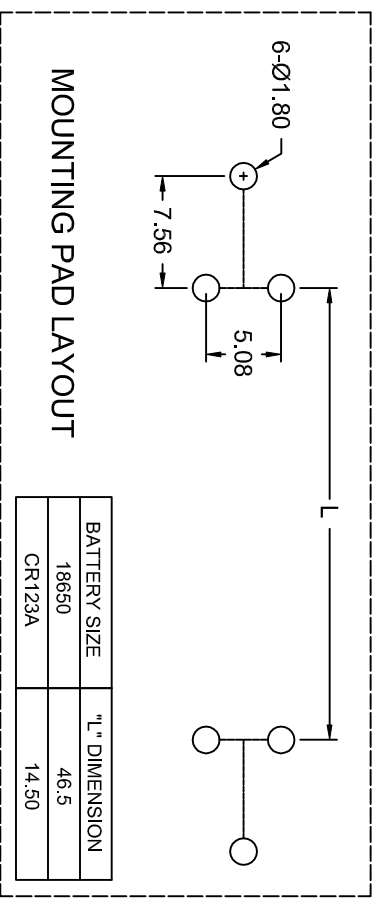
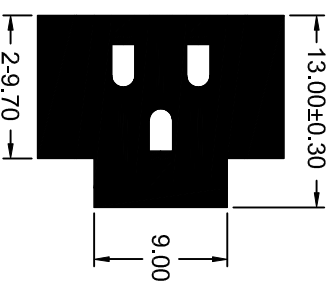
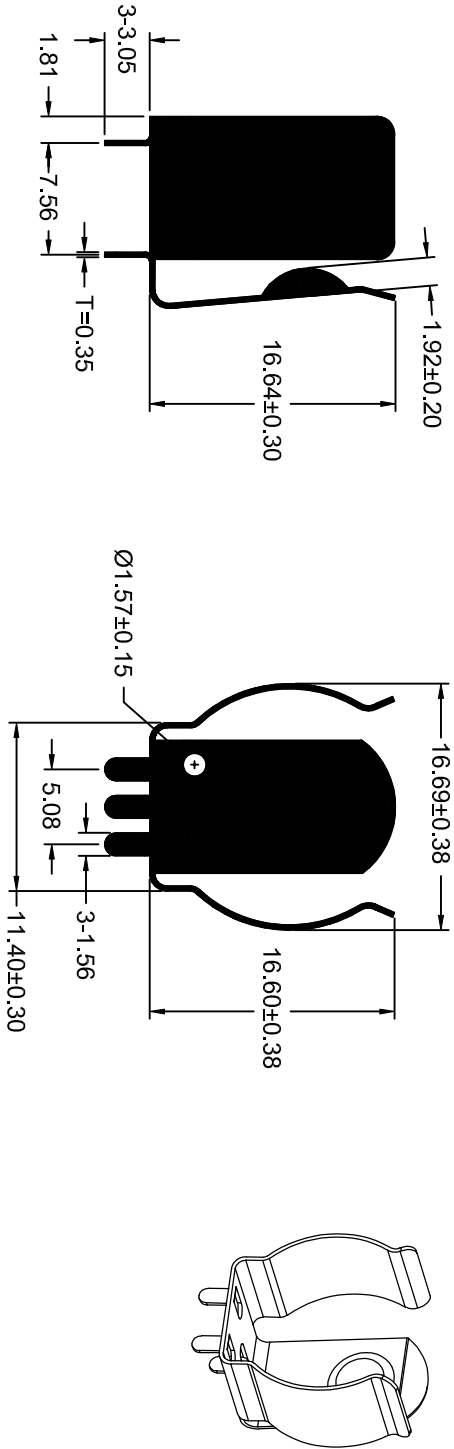




REV	DATE	DETAILS



Note:
 Heat Treat To Spring Temper
 PCB Protection Circuits Are Required
 When Used With Lithium-Ion Batteries

1. MATERIAL: SPRING STEEL
2. FINISH: NICKEL PLATE
3. RoHS COMPLIANT

JIA YI ELECTRONIC CO.,LTD	APPROVED	CHECKED	DRAWN BY	UNIT	TOLEANCE	TITTE NUMBER	PART NAME	REV.
	NICK	ERIC	JACK	mm	±0.5 ±0.3 ±0.2 ±0.1	PD-BC-1719-NI	18650 BATTERY CLIP.THM	A
				SCALE	X XX XXX XXXX			PAGE NO
				NOT				1 of 1