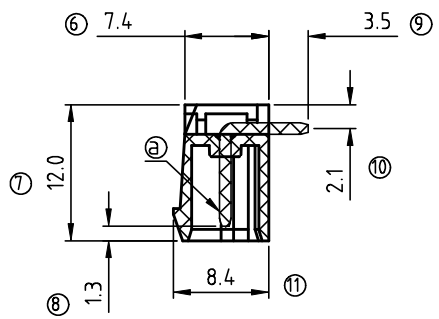
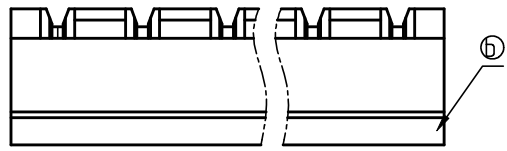


| | | | |
|---|------|-------------|----------|
| SIGN | DATE | DESCRIPTION | APPROVER |
| | | | |
| THIS IS CAD DRAWING, DO NOT REVISE MANUALLY!!! | | | |

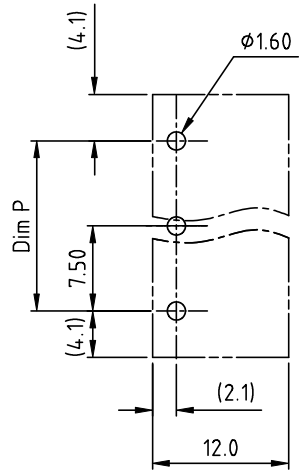
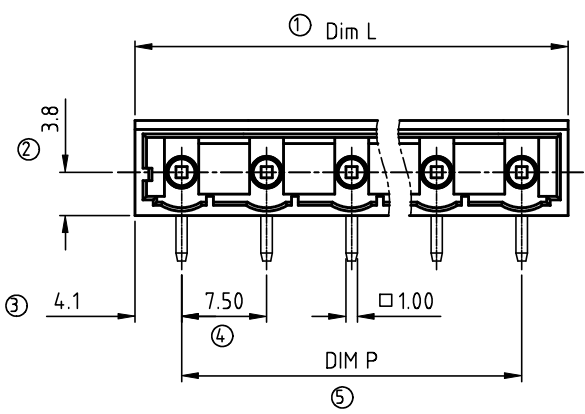


SECTION A-A

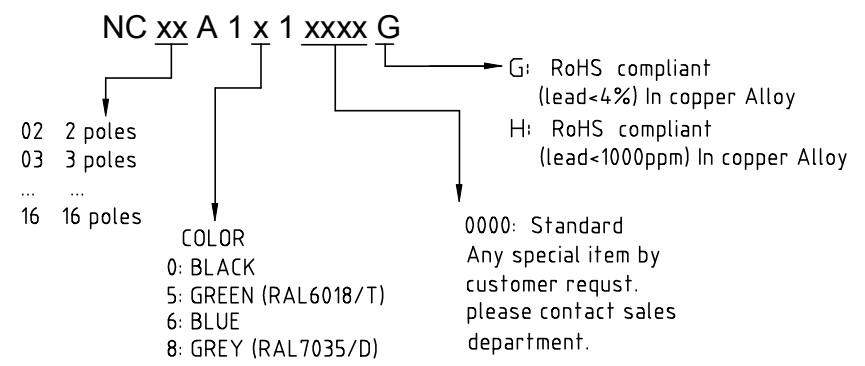
Material:

- Item a :Male contact pin: Copper Tin plated
- Item b :Terminal(housing): Thermoplastic (UL94V-0)

- Electrical: UL 1059
- Voltage rating: 300V
 - Current rating: 8A
 - Withstanding Voltage: 1.6 KV
 - Operating temperature: -40°C to +115°C
 - Soldering temperature: 260°C±5°C/5 Sec
 - Safety Approval: None



P.C.B LAYOUT



N = Number of poles
 Dim L=(N×7.5)+0.7
 Dim P=(N-1)×7.5

| | Dim L | Dim P |
|--------|-------|-------|
| 2-6p | ±0.10 | ±0.10 |
| 7-12p | ±0.25 | ±0.20 |
| 13-16p | ±0.40 | ±0.30 |

| | | | | | |
|---|---------|-----------------------------|------------|--|--|
| Amphenol ANYTEK | | | | CUSTOMER COPY | |
| ALL RIGHTS RESERVED. REPRODUCTION OR ISSUE TO THIRD PARTIES IN ANY FORM WHATSOEVER IS NOT PERMITTED WITHOUT WRITTEN AUTHORITY FROM THE PROPRIETOR. PROPERTY OF ANYTEK TECHNOLOGY CO., LTD | | | | | |
| TITLE | | NC 7.5mm Right angle Series | | | |
| PART NO. | | NCxxA1x1xxxxG | | DWG NO. 8NC0302 | |
| APPROVED | CHECKED | DESIGNED | DRAWN | CUST NO. | |
| | | Runner | Runner | | |
| | | 2010.11.03 | 2010.06.10 | | |
| | | | | | |
| | | | | UNIT: mm SCALE: 2/1 SHEET: 01/01 REV.: B | |
| | | | | Tolerance X. ±0.50 X.X ±0.30 X.XX ±0.10 X° ±1° | |