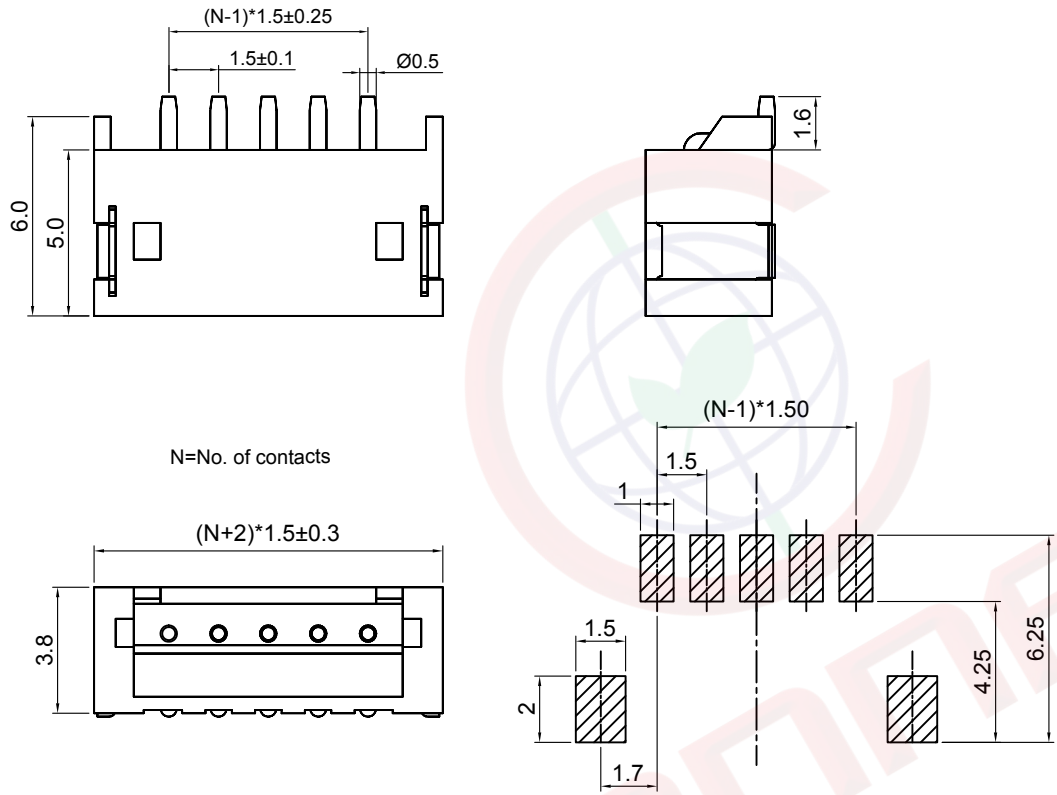


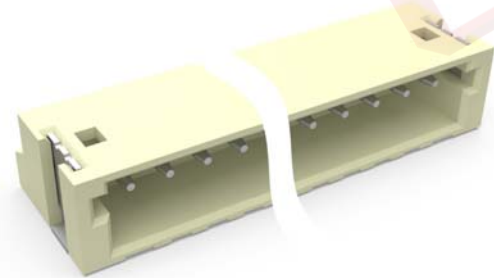
Dept	
Qty	
DC	1
ED	1
IE	1
ISO	1
PD	1
R&D	1
SD	1
QA	1
QC	1
QE	1

The information provided herein is from CONNELY Electronic Co., Ltd. and is confidential. Any disclosure to a party other than the recipient is prohibited. The intellectual properties and its rights contained herein, including but not limited to, trademarks, patents, copyrights, trade secrets, and technical know-how, are owned exclusively by CONNELY or its affiliates. Unauthorized use or reproduction of any part of this document is strictly prohibited. CONNELY may enforce its intellectual property rights at its own discretion, failures or delays in exercising such rights does not constitute a waiver of such rights. Its use in any format or manner. CONNELY may enforce its intellectual property rights at its own discretion, failures or delays in exercising such rights does not constitute a waiver of such rights.

REV.	DESCRIPTION	DRAWN	CHECKED	APPROVED
A	NEW RELEASE	JLZ 08/04/18'		

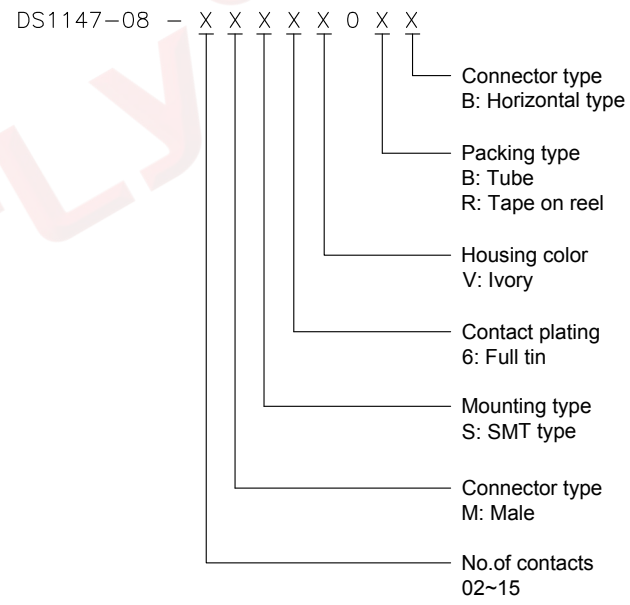


Recommend PCB layout(Tolerance:±0.05)



(Series Image-Reference Only)

- Notes:
- Electrical Characteristics:
 - Contact Resistance: 20mΩ Max.
 - Dielectric Withstanding Voltage: 500V AC(rms) For 1 Minute.
 - Insulation Resistance: 1500MΩ Min.
 - Current Rating:1.0A.
 - Voltage Rating:50V AC rms.
 - Environment Characteristics:
 - Temperature: -25°C~+85°C.
 - Materials:
 - Contact Material: Copper Alloy.
 - Contact Plating: Tin Plating Over Nickel.
 - Insulator Materials: LCP,UL94-V0,Natural(Ivory).
 - Product Number Code:



GENERAL TOLERANCE	ANGLE TOLERANCE	PROJECTION		TITLE	1.50mm ZH Wafer Horizontal SMT Type	
X. ±0.60	X. ±5°	UNITS	mm	SHEET SIZE	A4	SERIES DS1147-08 SERIES
.X ±0.38	.X ±3°	晨翔电子有限公司 CONNELY CONNELY ELECTRONIC CO. LTD				
.XX ±0.25	.XX ±2°					
DRAWING TYPE	CUSTOMER	DRAWING NO. C-DS1147-08-XXXXX0XX-A				
SCALE	1:1	SHEET	1 OF 1			