

REV.	DESCRIPTION	DRAWN	CHECKED	APPROVED
A	NEW RELEASE	HP 07/11/05		

TECHNICAL DATA

1. MATERIAL

- . Pin(Outer Sleeve): Brass,Machined,CuZn38Pb2
- . Clip(Contact 4/6 Finger): Copper alloy,Heat Treated

2. ELECTRICAL

- . Current Rating: 3A Per Pin max.
- . Contact Resistance: $\leq 20m\Omega$ /Contact.

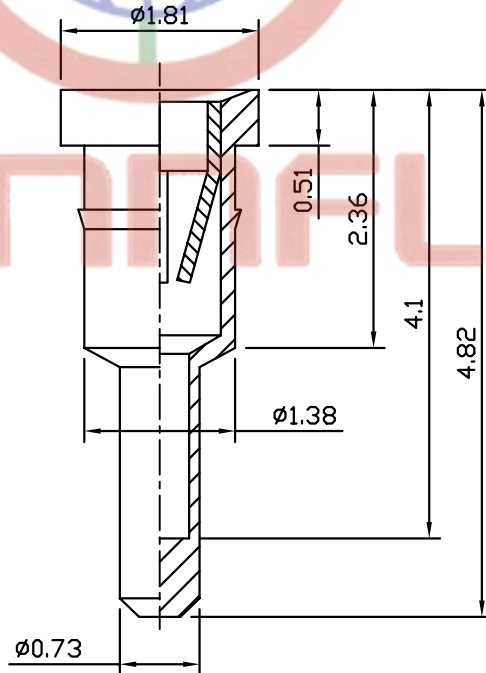
3. MECHANICAL

- . *Average Insertion Force With Steel Pin of $\phi 0.43mm/0.017"$:
4-Finger $\leq 270g$,6-Finger $\leq 120g$
- . *Average Withdrawal Force With Steel Pin of $\phi 0.50mm/0.020"$:
4-Finger $\geq 25g$,6-Finger $\geq 15g$
- . *Mechanical Life: min 200 Cycles

4. PRODUCT NUMBER CODE:

DS1005-03 - X X X

- CLIP PLATED
 - 6: Full Tin
 - 8: Full Gold flash
 - C: Full Gold 3u"
 - A: Full Gold 10u"
 - B: Full Gold 15u"
- PIN PLATED
 - 6: Full Tin
 - 8: Full Gold flash
 - C: Full Gold 3u"
 - A: Full Gold 10u"
 - B: Full Gold 15u"
- CLIPS
 - 3: 3Finger
 - 4: 4Finger
 - 6: 6Finger
- SERIES NO
DS1005-03



Tel:86-574-635087
 Fax:86-574-6351081
 E-mail:sale@zhenqin.com.cn
 Http://www.connfly.com

GENERAL TOLERANCE	ANGLE TOLERANCE	PROJECTION		TITLE	SOCKET TERMINALS 4.82mm
X. ± 0.20	X. $\pm 2^\circ$	UNITS	mm	SERIES	DS1005-03
.X ± 0.10	.X $\pm 1^\circ$	SHEET SIZE	A4		
.XX ± 0.05	.XX $\pm 0.5^\circ$				
DRAWING TYPE	CUSTOMER				
SCALE	1:1	SHEET	1 OF 1		
DRAWING NO.	C-DS1005-03-XXX		晨翔电子有限公司 CONNFLY CONNFLY ELECTRONIC CO. LTD		