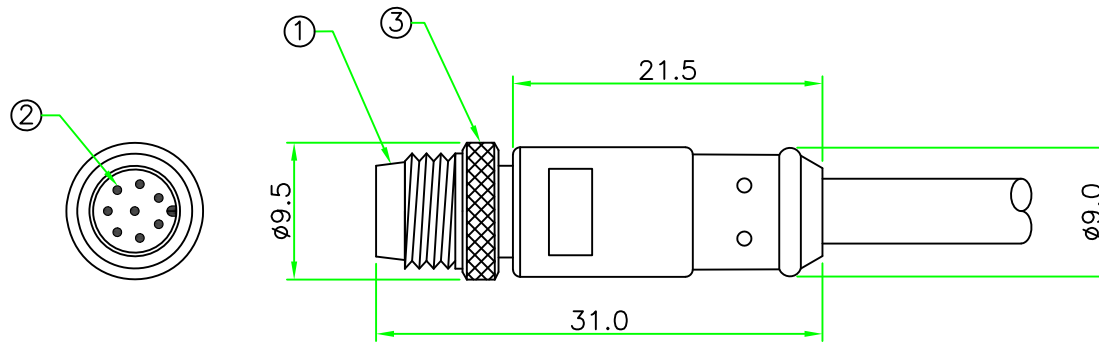


IP66-68

RoHS

REV.	DESCRIPTION	DATE
A	ISSUE	July/01/2008
A1	Add 7~8 Pin & correct Pin Assignment.	Oct/24/2018



NOTES:



1. ELECTRICAL CHARACTERISTICS:

CURRENT RATING: 1.5A / 3A

TEMPERATURE RANGE: -25°C TO +85°C

DIELECTRIC WITHSTANDING VOLTAGE:

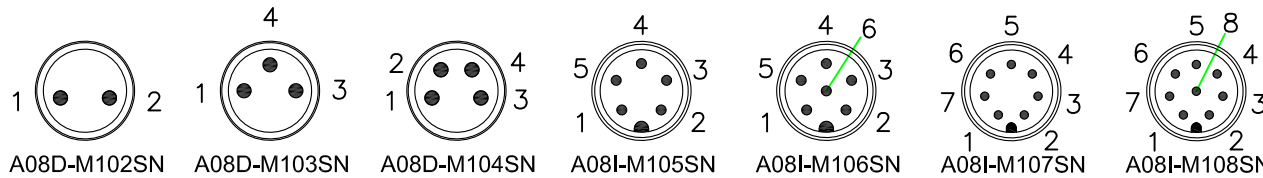
500V AC FOR ONE MINUTE

2. HOW TO ORDER: A08x-M1xxSN

- 02 - 2 PINS
- 03 - 3 PINS
- 04 - 4 PINS
- 05 - 5 PINS
- 06 - 6 PINS
- 07 - 7 PINS
- 08 - 8 PINS

- I - CURRENT RATING 1.5A
- D - CURRENT RATING 3A

\*Cable specification and length can be customized.



PIN ASSIGNMENT FRONT VIEW (前視圖)

**HOLIN**® HTP ASIA TECHNOLOGY CO., LTD.  
禾凌科技股份有限公司

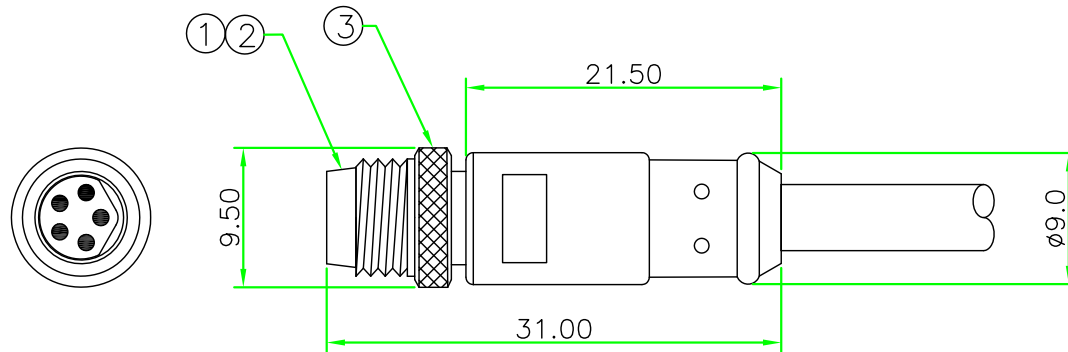
	UNIT: mm	TITLE :	M8 A Code
	SCALE	2:1	Male molded cable Ass'y
UNLESS OTHERWISE SPECIFIED TOLERANCES:		P/N:	A08x-M1xxSN
.x ± 0.5 .xx ± 0.25		DR.	SIBYL
.xxx± 0.1 ANGLE ± 1°		CH.	ERIC
REV.	SHEET	DWG.NO:	A08x-M1xxSN
A1	1/1	AP.	

No.	PART NAME	DESCRIPTION	COLOR	Q'TY	REMARKS
3	RING NUT	Brass, Nickel Plated.		1	
2	Contact	Brass , 6 u" Gold plated. Male Contact.		N	
1	Connector	M8 A Coding Male connector insert. Nylon+GF.	BLACK	1	

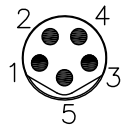
IP66-68

RoHS

REV.	DESCRIPTION	DATE
A	ISSUE	Mar/04/2014



NOTES:  
 1. ELECTRICAL CHARACTERISTICS:  
 CURRENT RATING: < 4A  
 TEMPERATURE RANGE: -25°C TO +85°C  
 DIELECTRIC WITHSTANDING VOLTAGE:  
 500V AC FOR ONE MINUTE



PIN ASSIGNMENT FRONT VIEW  
 正視圖

\*Cable specification and length can be customized.

3	RING NUT	BRASS, NICKEL PLATED.		1	
2	Contact	Brass , 6 u" Gold plated .Male Contact.		5	
1	Connector	M8 Male connector insert.	BLACK	1	
No.	PART NAME	DESCRIPTION	COLOR	Q'TY	REMARKS

HOLIN <sup>®</sup> HTP ASIA TECHNOLOGY CO., LTD. 禾凌科技股份有限公司			
	UNIT:mm	TITLE :	M8 B Code Male molded cable Ass'y
SCALE	2:1	P/N:	B08D-M105SN
UNLESS OTHERWISE SPECIFIED TOLERANCES: X ± 0.25 XX ± 0.1 XXX ± 0.05 ANGLE ± 1°X		DR.	Patty
REV.	SHEET	CH.	ERIC
A	1/1	AP.	
DWG.NO:		B08D-M105SN	