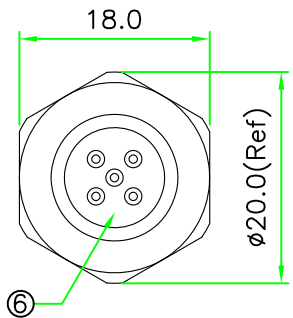
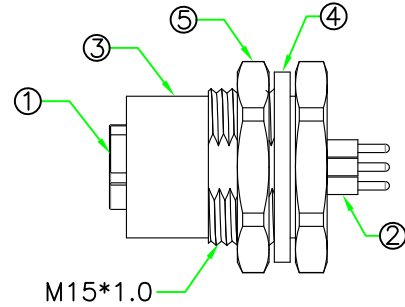
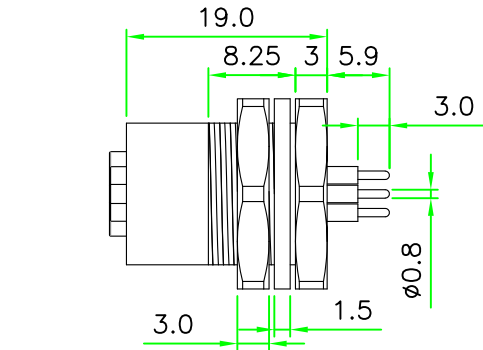
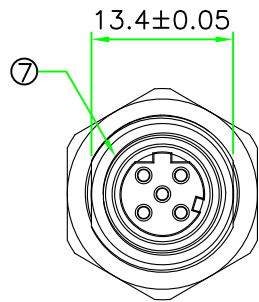
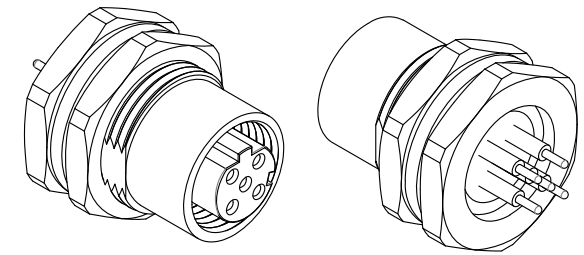


Recommended Panel Cut Out

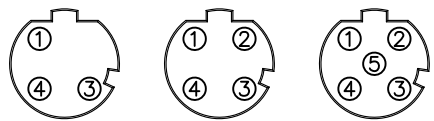
RoHS



REV.	DESCRIPTION	DATE
A	ISSUE	Jul/29/2008
Note1	Correct P/N & Add notes.	May/12/2022
Note2	Change temperature range.	Jun/07/2022



- ⚠ NOTES:
- ELECTRICAL CHARACTERISTICS:
 CURRENT RATING: 4A
 VOLTAGE RATING : 250V(2~4P), 60V(5P)
 TEMPERATURE RANGE: -40°C TO +85°C ⚠
 DIELECTRIC WITHSTANDING VOLTAGE:
 500V AC FOR ONE MINUTE
 - PANEL THICKNESS MAX. 3.0mm
 - HOW TO ORDER: D12D-M2xxHPR
 - 03 - 3 PIN
 - 04 - 4 PIN
 - 05 - 5 PIN



D12D-M203HPR D12D-M204HPR D12D-M205HPR

⚠ Pin Assignment Front View (前視圖)

No.	PART NAME	DESCRIPTION	COLOR	Q'TY	REMARKS
7	O-RING	Viton.	BLACK	1	
6	GLUE	Epoxy.	BLACK	1	
5	HEX NUT	BRASS, Nickel Plated.		1	
4	GASKET	EPDM.	BLACK	1	
3	HOUSING	BRASS, Nickel Plated.		1	
2	CONTACT	BRASS, 6 u" Gold Plated . Female Contact.		N	
1	CONNECTOR	M12 D-Coding Female Connector Insert. Nylon+GF.	BLACK	1	

HOLIN® HTP ASIA TECHNOLOGY CO., LTD.
 禾凌科技股份有限公司

UNIT: mm	TITLE	M12 D-Coding Female connector Rear mount Hex Flange PCB Pin
SCALE	1:1	
UNLESS OTHERWISE SPECIFIED TOLERANCES: xx. ± 0.5 .x ± 0.5 .xx ± 0.25 .xxx ± 0.1 ANGLE ± 1°	P/N:	D12D-M2xxHPR
REV.	SHEET	DWG.NO:
A	1/1	D12D-M2xxHPR
		DR. JAMES
		CH. ERIC
		AP.